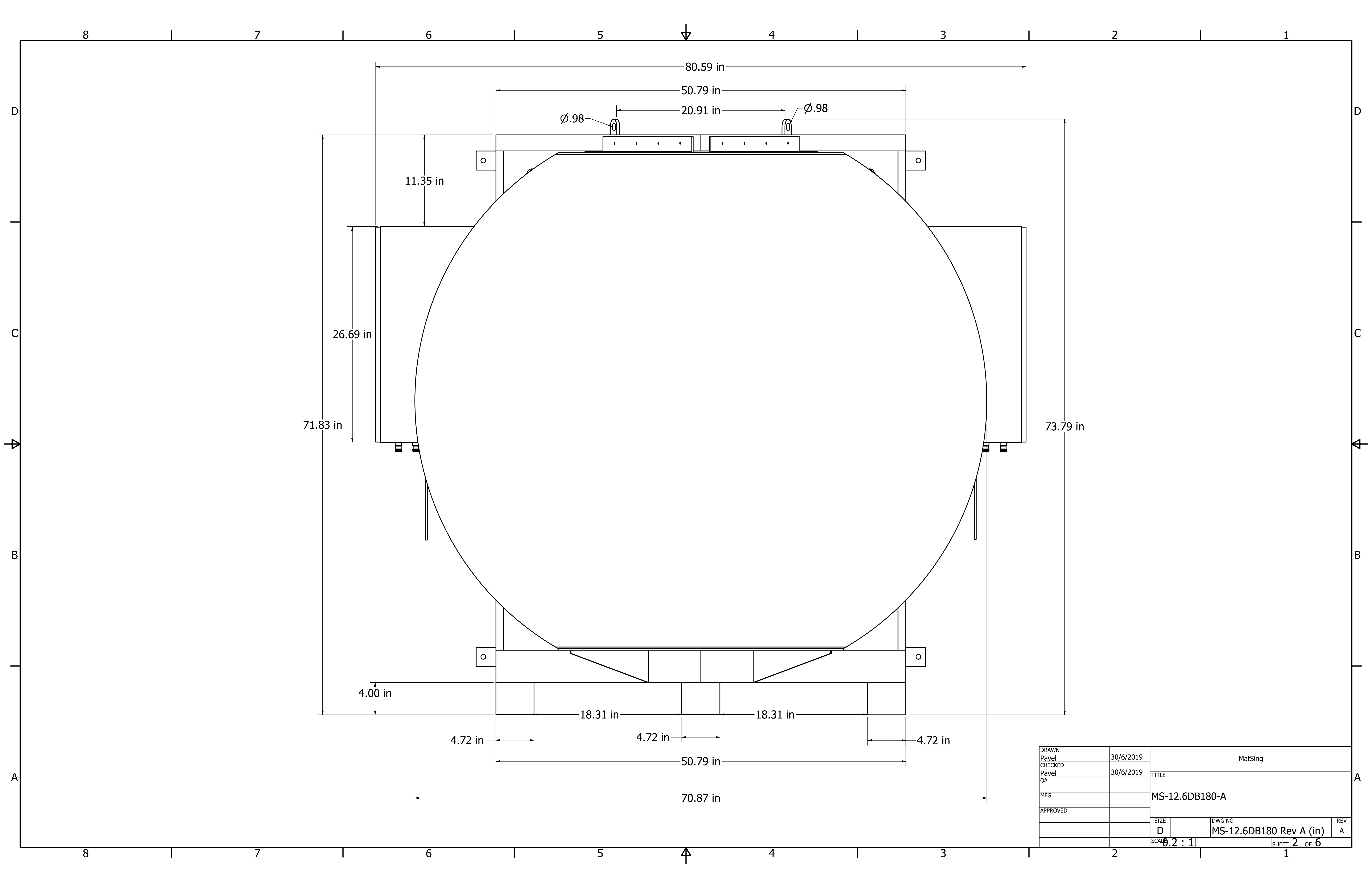
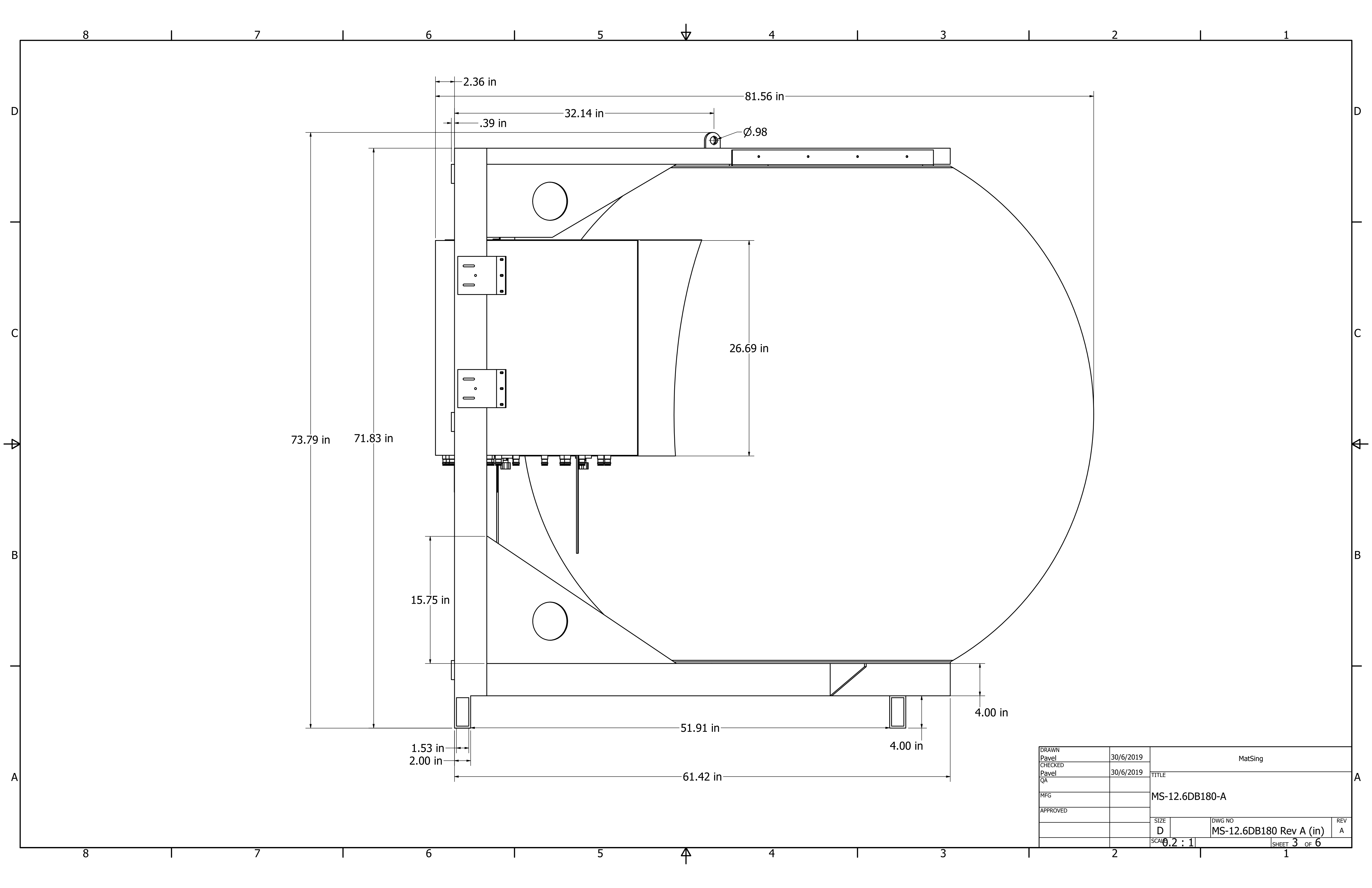


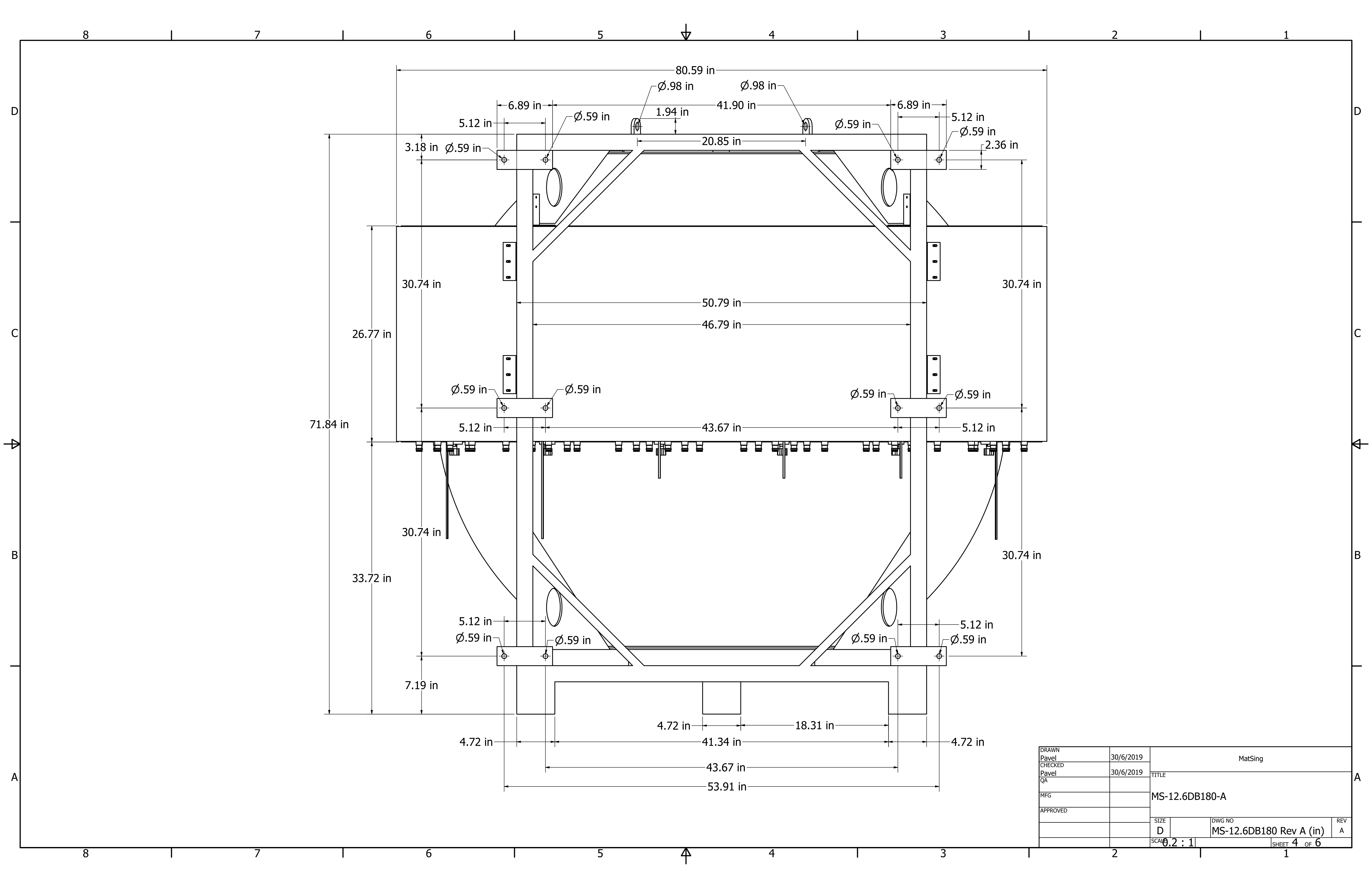
DRAWN	Pavel	30/6/2019	MatSing		
CHECKED	Pavel	30/6/2019	TITLE		
QA			MS-12.6DB180-A		
MFG					
APPROVED					
			SIZE	DWG NO	REV
			D	MS-12.6DB180 Rev A (in)	A
			SCALE	SHEET 1 OF 6	
			0.1 : 1		



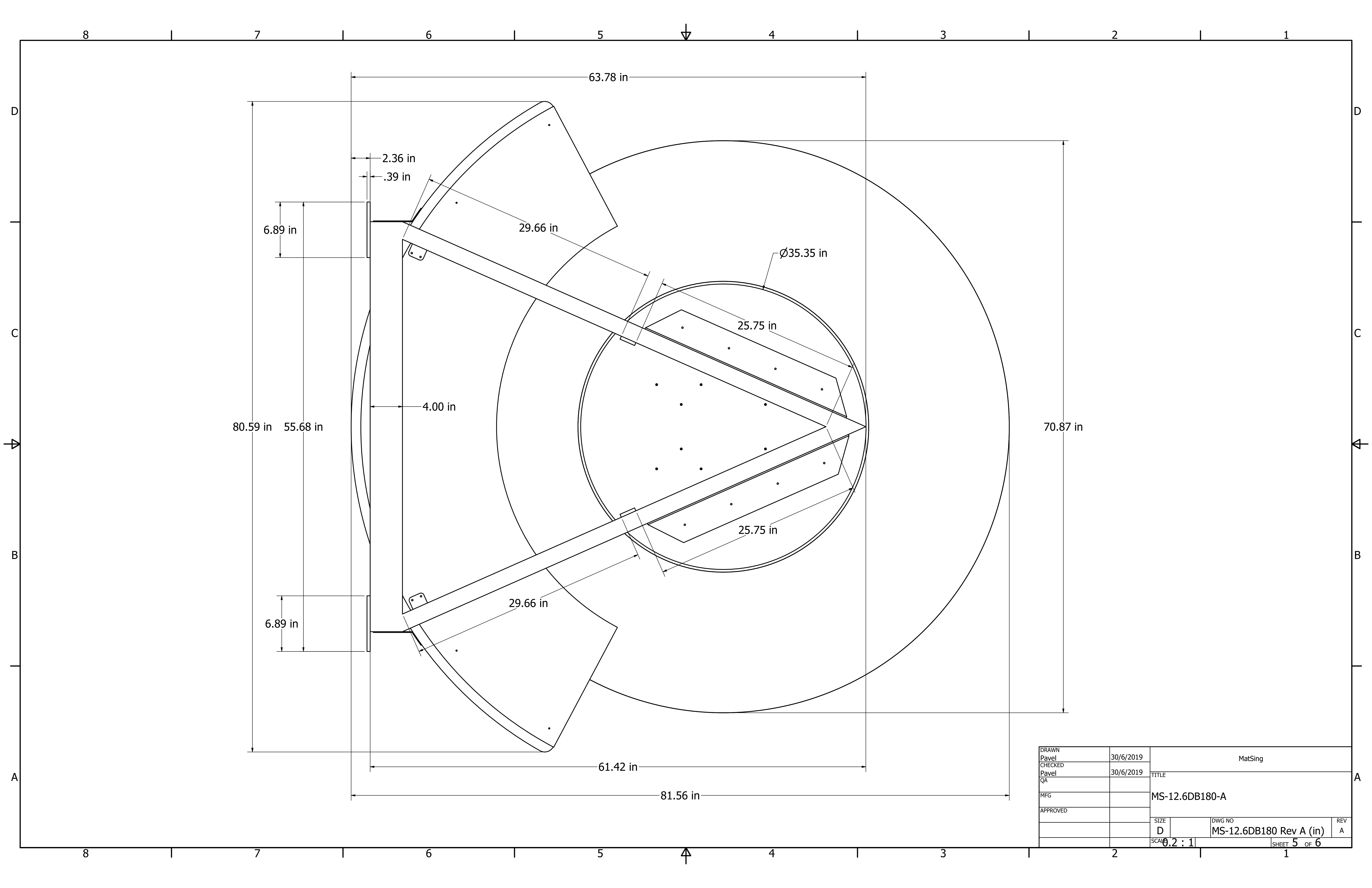
DRAWN	30/6/2019	MatSing		
CHECKED	30/6/2019	TITLE		
QA		MS-12.6DB180-A		
MFG		SIZE	DWG NO	REV
APPROVED		D	MS-12.6DB180 Rev A (in)	A
		SCALE 0.2 : 1		SHEET 2 OF 6



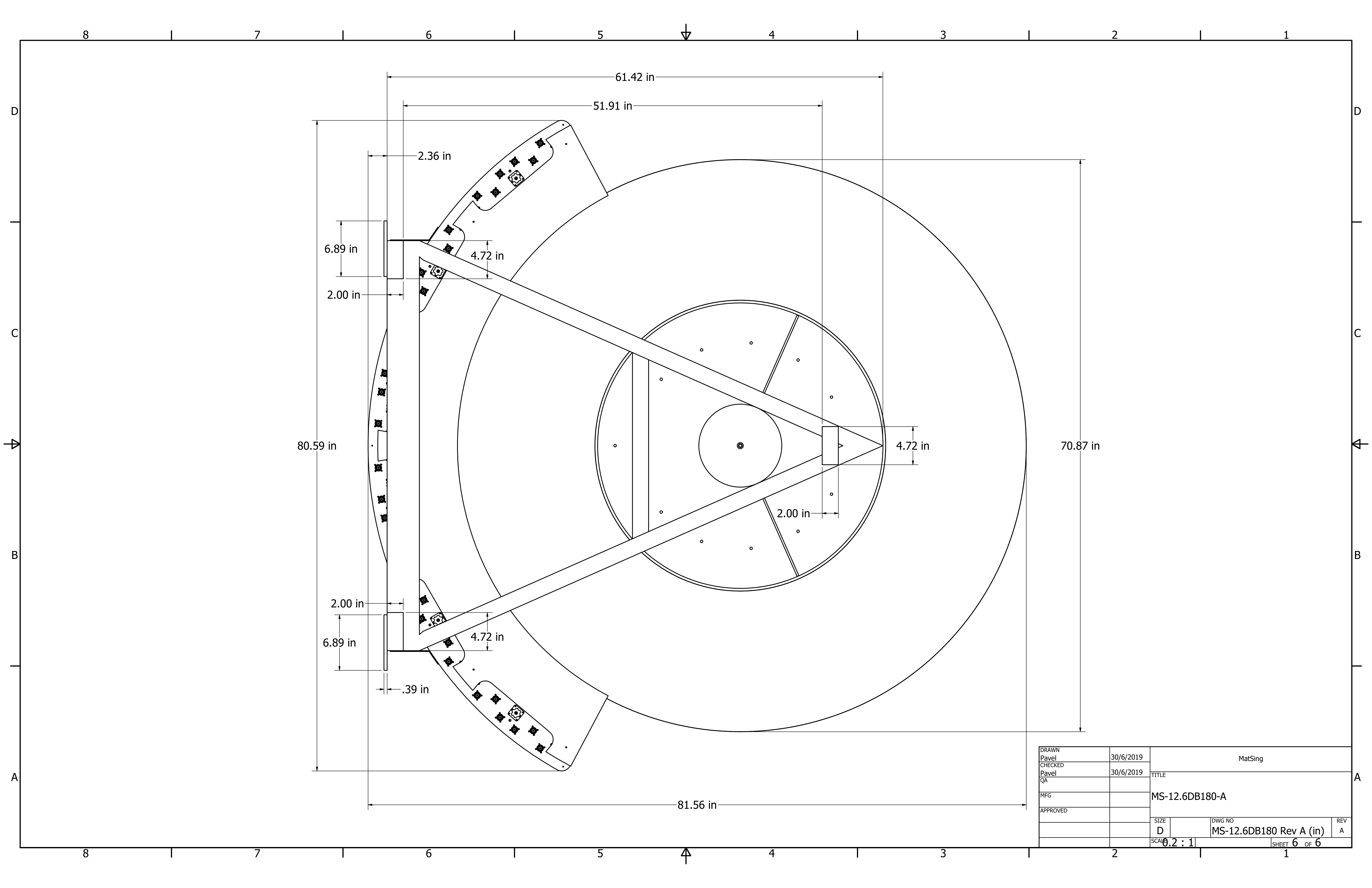
DRAWN	Pavel	30/6/2019	MatSing		
CHECKED	Pavel	30/6/2019	TITLE		
QA			MS-12.6DB180-A		
MFG					
APPROVED					
			SIZE	DWG NO	REV
			D	MS-12.6DB180 Rev A (in)	A
			SCALE	SHEET 3 OF 6	
			0.2 : 1		



DRAWN	30/6/2019	MatSing		
CHECKED	30/6/2019	TITLE		
QA		MS-12.6DB180-A		
MFG		SIZE	DWG NO	REV
APPROVED		D	MS-12.6DB180 Rev A (in)	A
		SCALE	SHEET 4 OF 6	



DRAWN	30/6/2019	MatSing		
CHECKED	30/6/2019	TITLE		
QA		MS-12.6DB180-A		
MFG		SIZE	DWG NO	REV
APPROVED		D	MS-12.6DB180 Rev A (in)	A
		SCALE 0.2 : 1		SHEET 5 OF 6



DRAWN	30/6/2019	MatSing		
CHECKED	30/6/2019	TITLE		
QA		MS-12.6DB180-A		
MFG		SIZE	DWG NO	REV
APPROVED		D	MS-12.6DB180 Rev A (in)	A
		SCALE	0.2 : 1	SHEET 6 OF 6