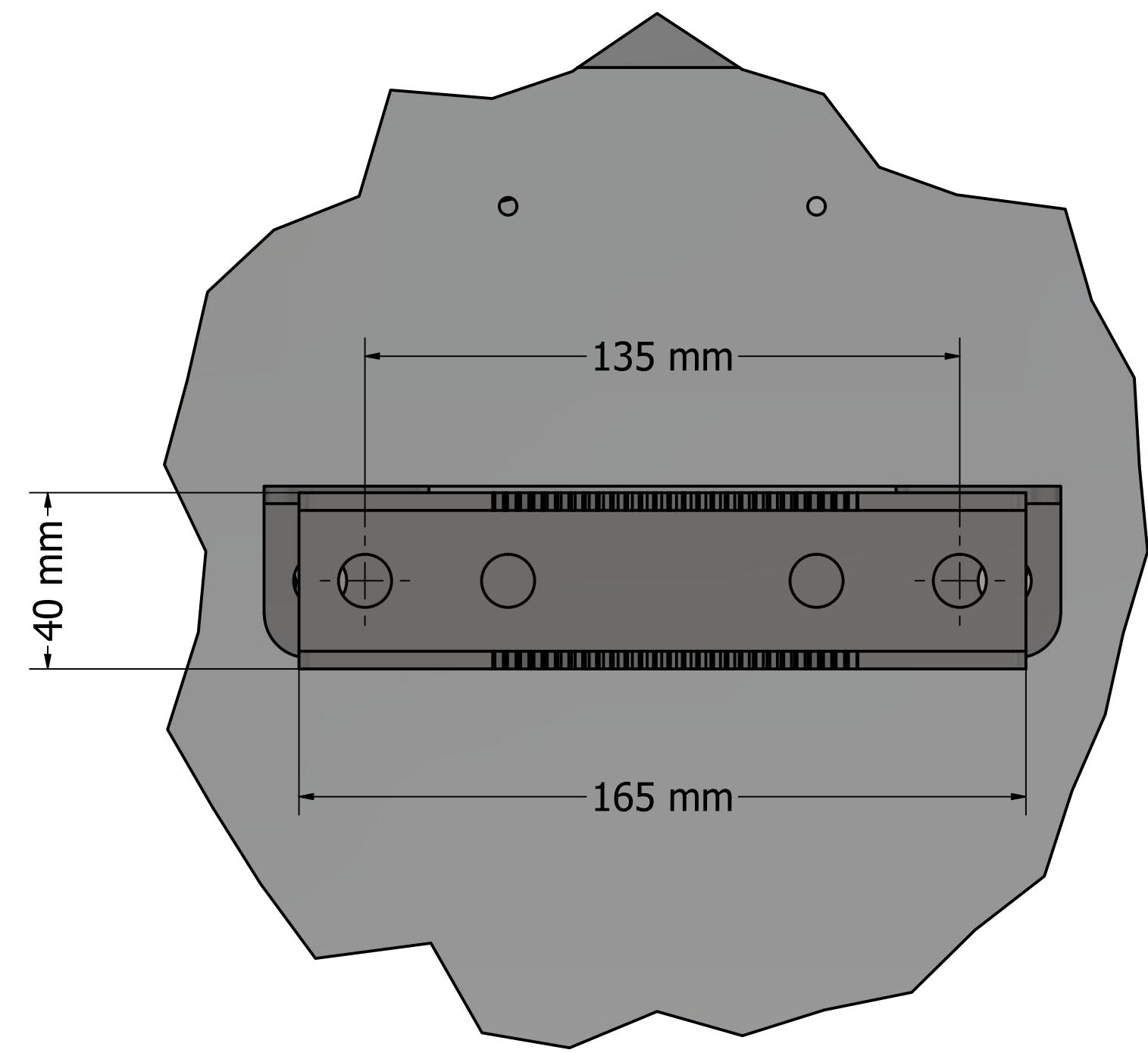
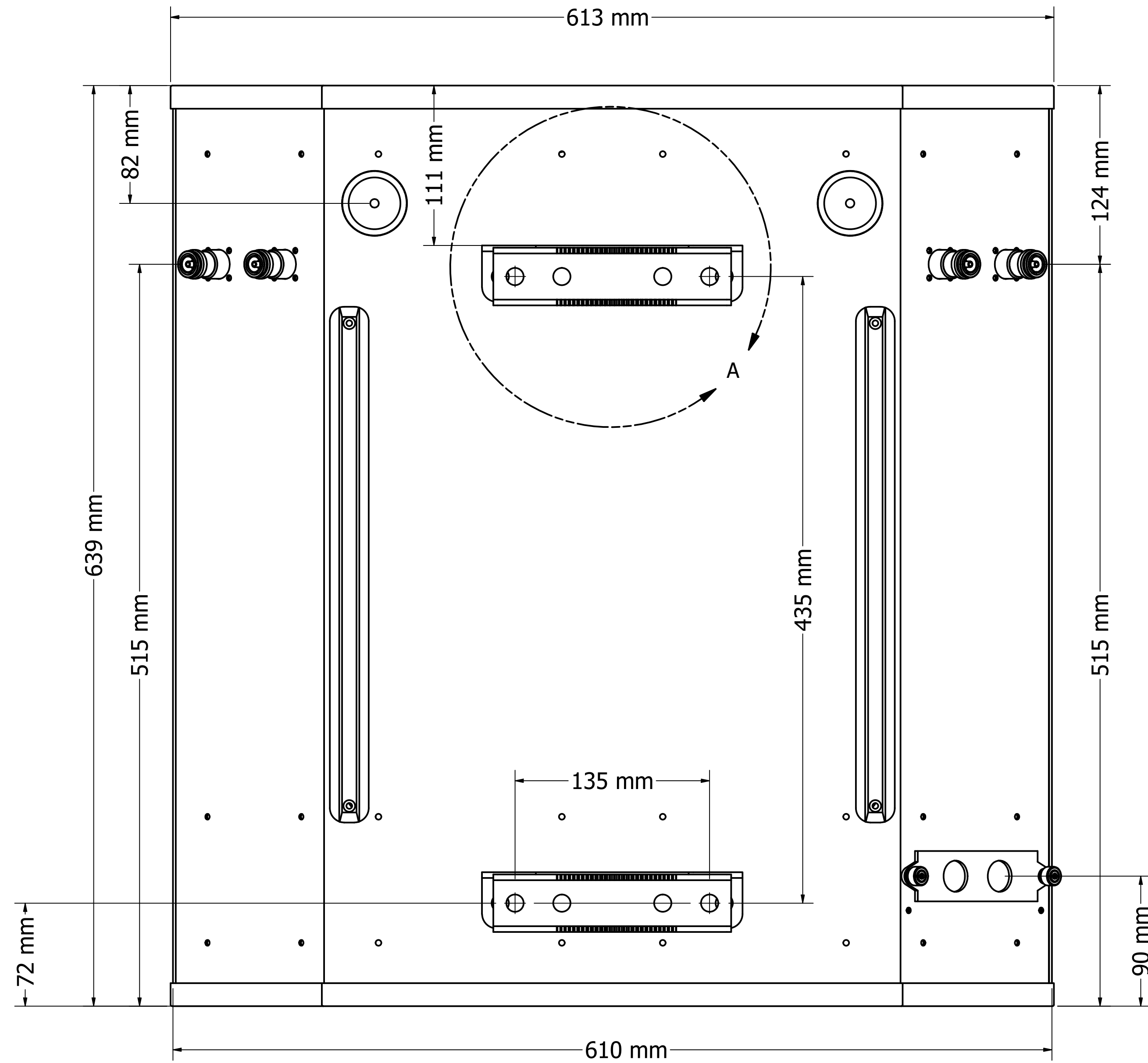
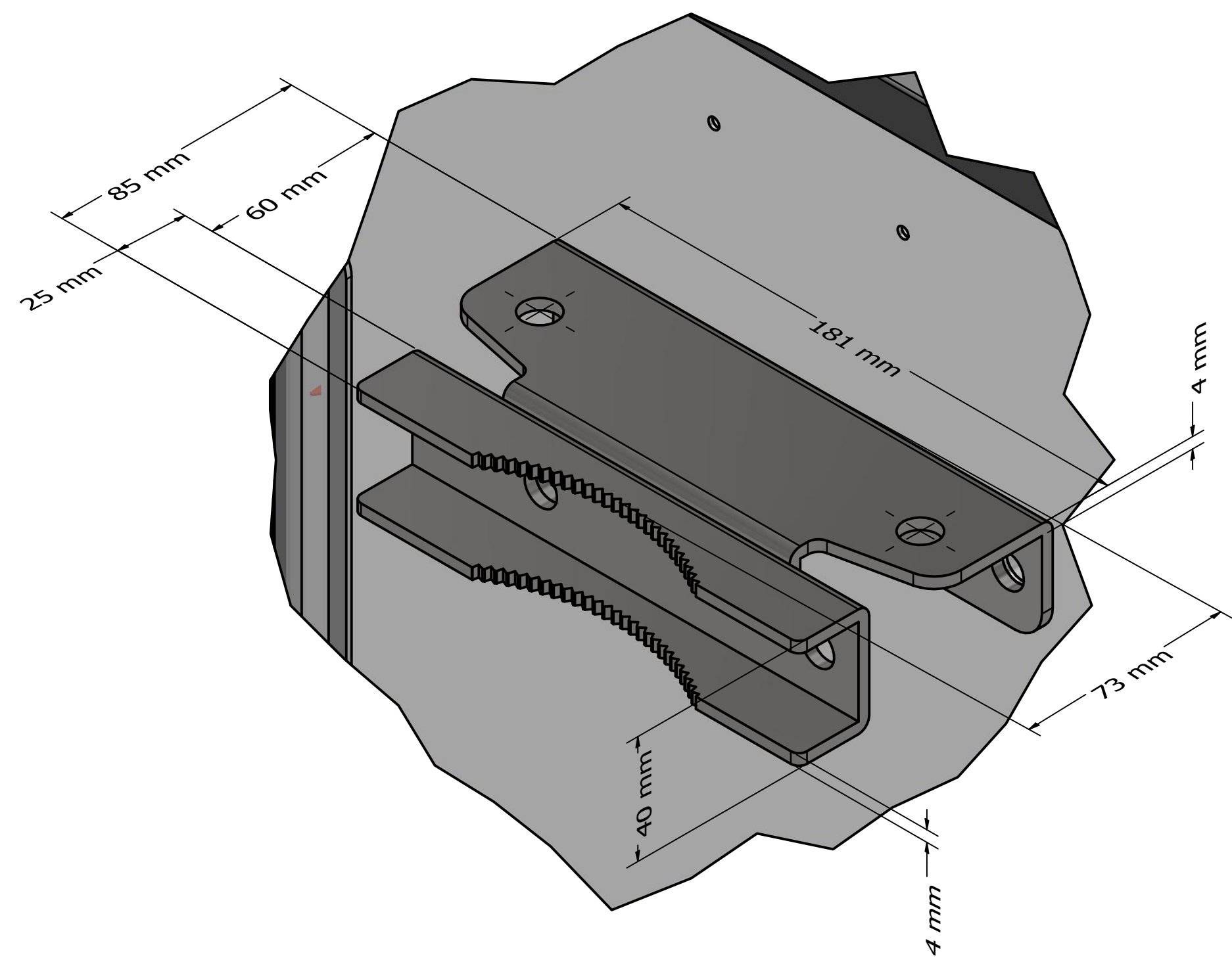


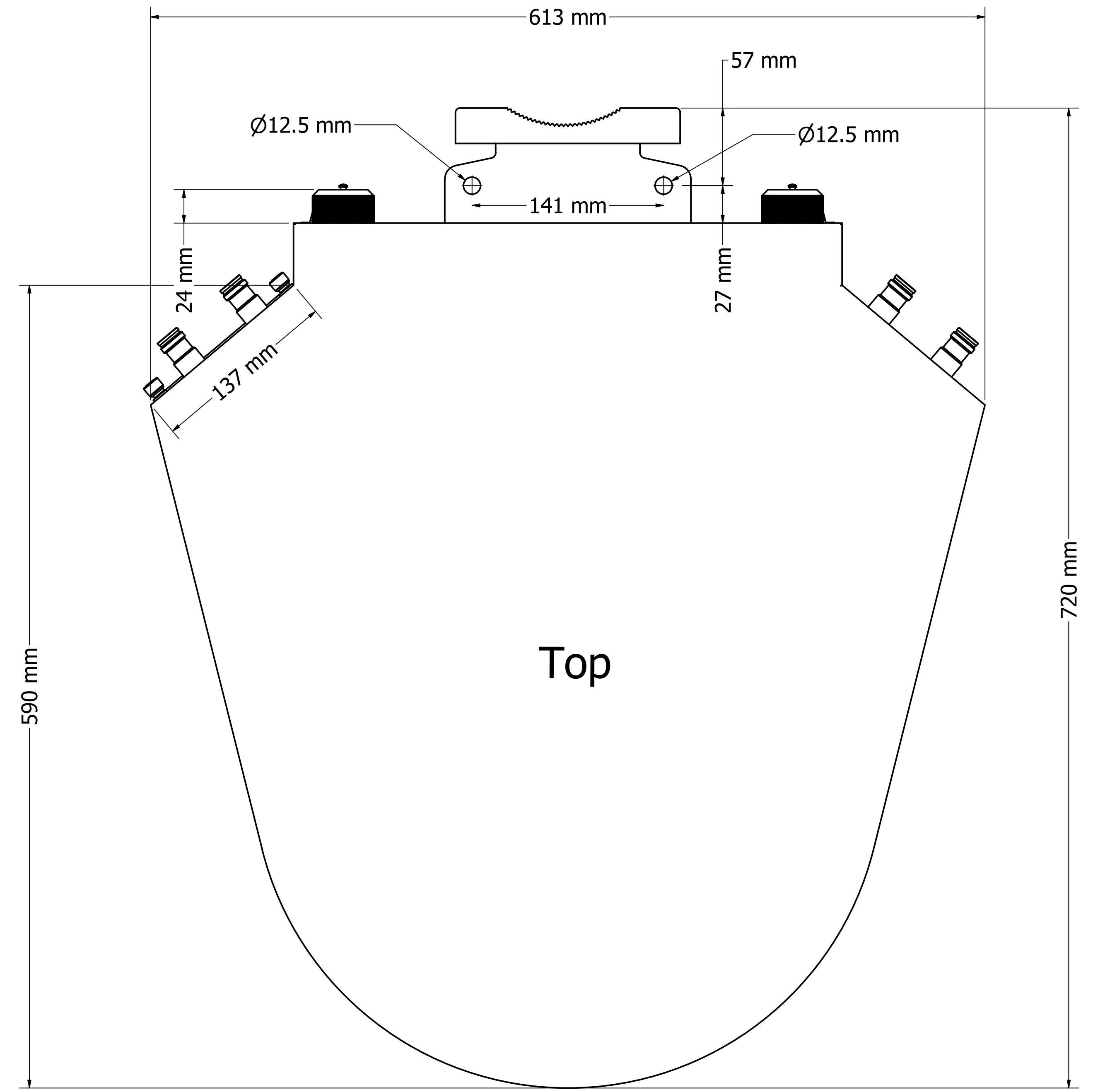
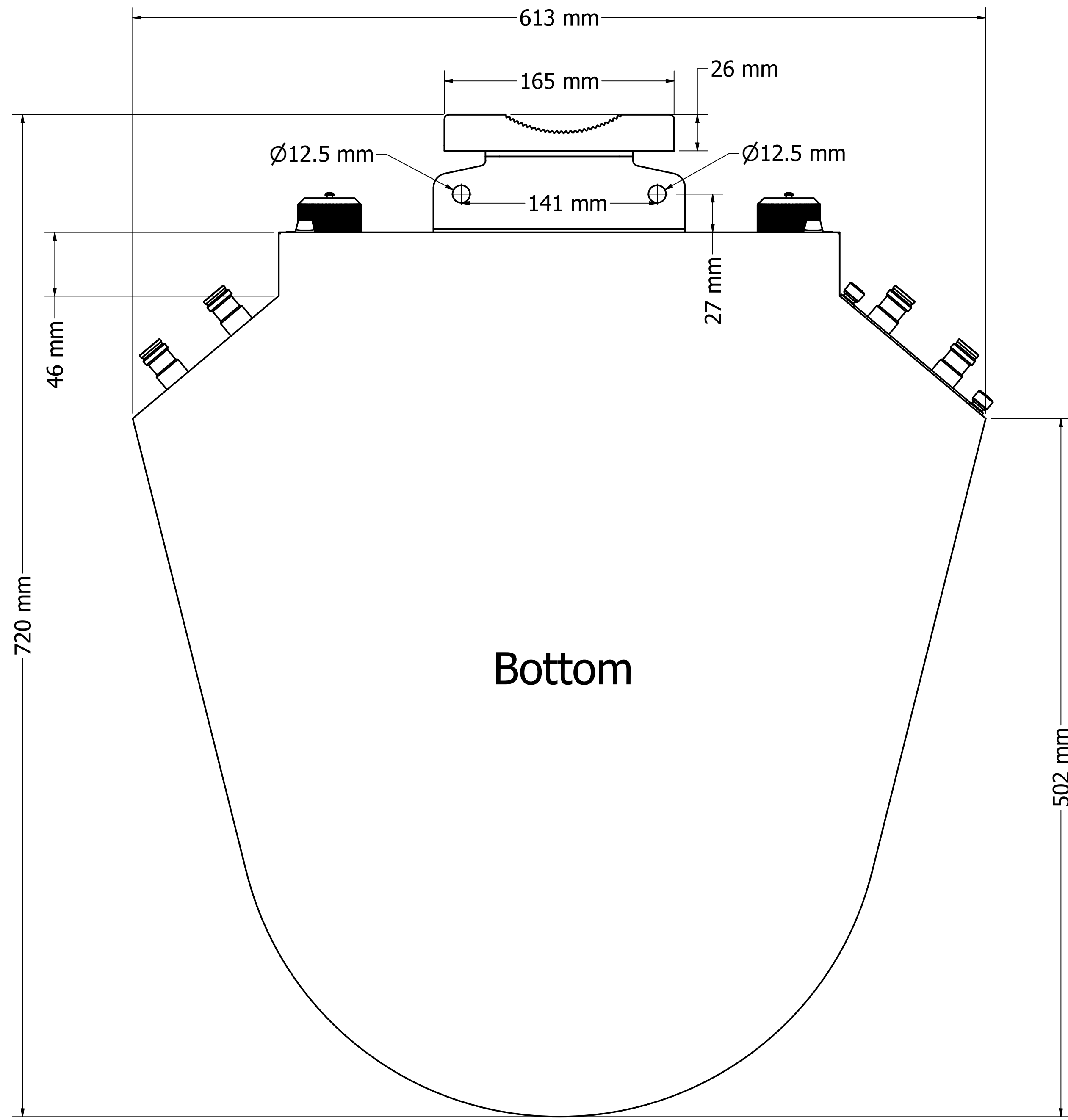
|          |          |               |                        |              |
|----------|----------|---------------|------------------------|--------------|
| DRAWN    | 5/7/2019 | MatSing       |                        |              |
| CHECKED  |          | TITLE         |                        |              |
| Pavel    | 5/7/2019 | MS-MBA-2-L2   |                        |              |
| QA       |          |               |                        |              |
| MFG      |          | SIZE          | DWG NO                 | REV          |
| APPROVED |          | D             | MS-MBA-2-L2 Rev A (mm) | A            |
|          |          | SCALE 1 / 4.5 |                        | SHEET 1 OF 3 |



DETAIL A  
SCALE 1:1.3



|          |       |          |               |                        |              |
|----------|-------|----------|---------------|------------------------|--------------|
| DRAWN    | Pavel | 5/7/2019 | MatSing       |                        |              |
| CHECKED  | Pavel | 5/7/2019 | TITLE         |                        |              |
| QA       |       |          | MS-MBA-2-L2   |                        |              |
| MFG      |       |          |               |                        |              |
| APPROVED |       |          |               |                        |              |
|          |       |          | SIZE          | DWG NO                 | REV          |
|          |       |          | D             | MS-MBA-2-L2 Rev A (mm) | A            |
|          |       |          | SCALE 1 / 2.3 |                        | SHEET 2 OF 3 |



|          |          |               |                        |              |
|----------|----------|---------------|------------------------|--------------|
| DRAWN    | 5/7/2019 | MatSing       |                        |              |
| CHECKED  | 5/7/2019 | TITLE         |                        |              |
| QA       |          | MS-MBA-2-L2   |                        |              |
| MFG      |          |               |                        |              |
| APPROVED |          | SIZE          | DWG NO                 | REV          |
|          |          | D             | MS-MBA-2-L2 Rev A (mm) | A            |
|          |          | SCALE 1 / 2.3 |                        | SHEET 3 OF 3 |