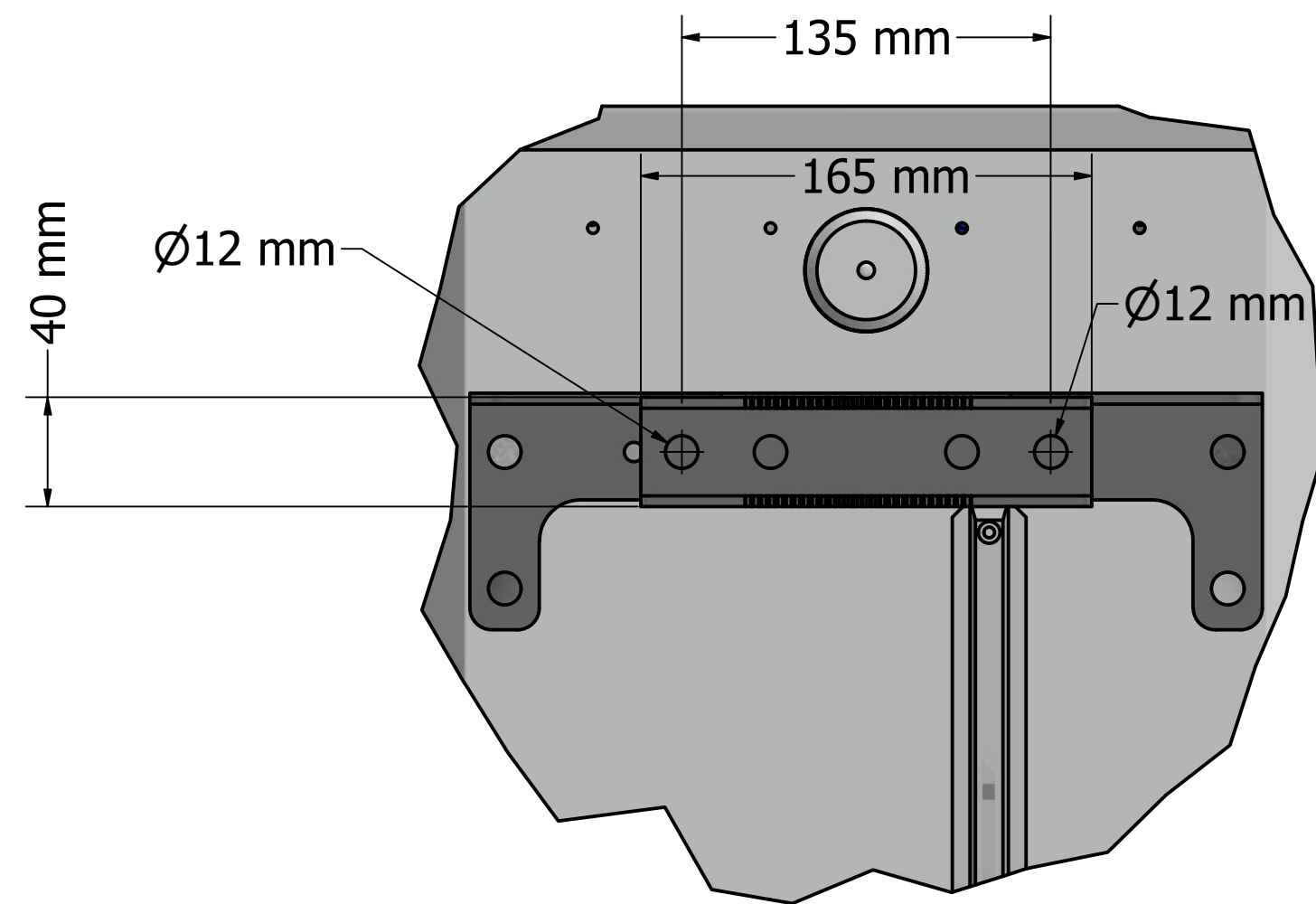
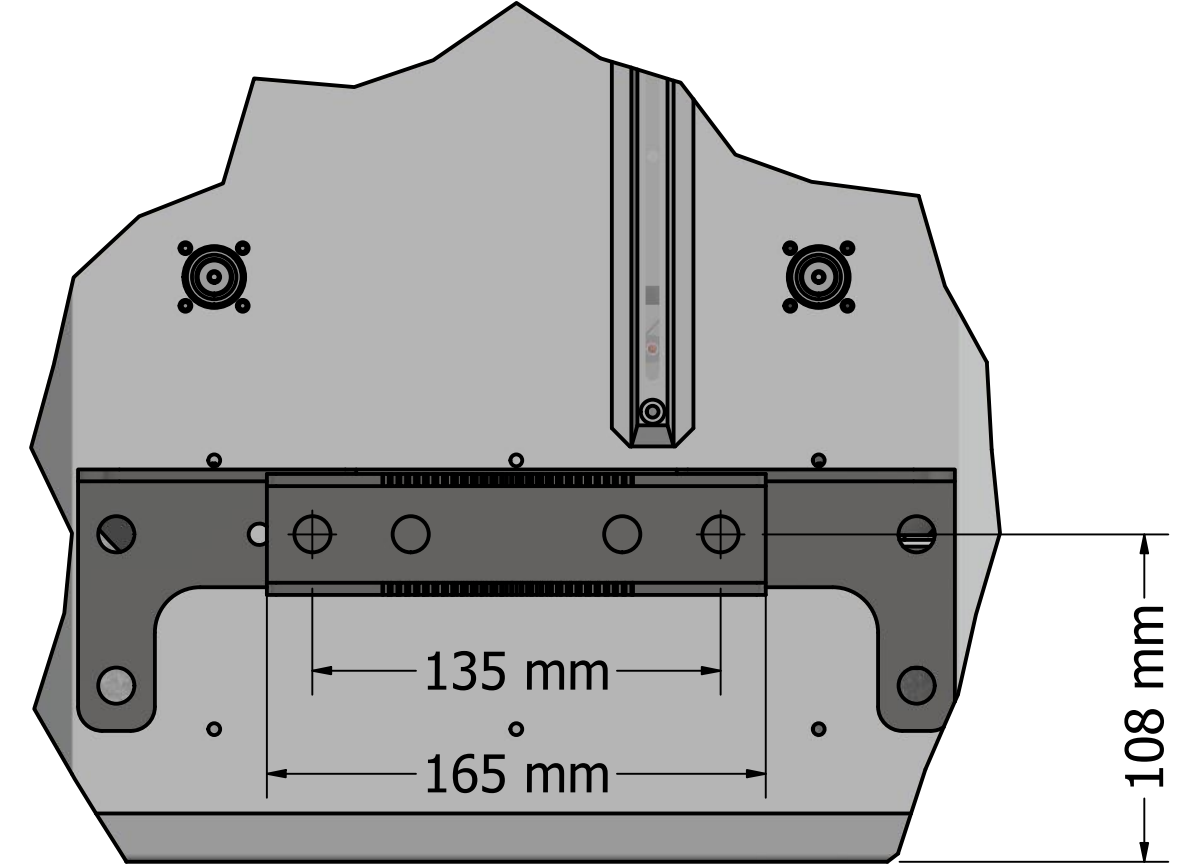
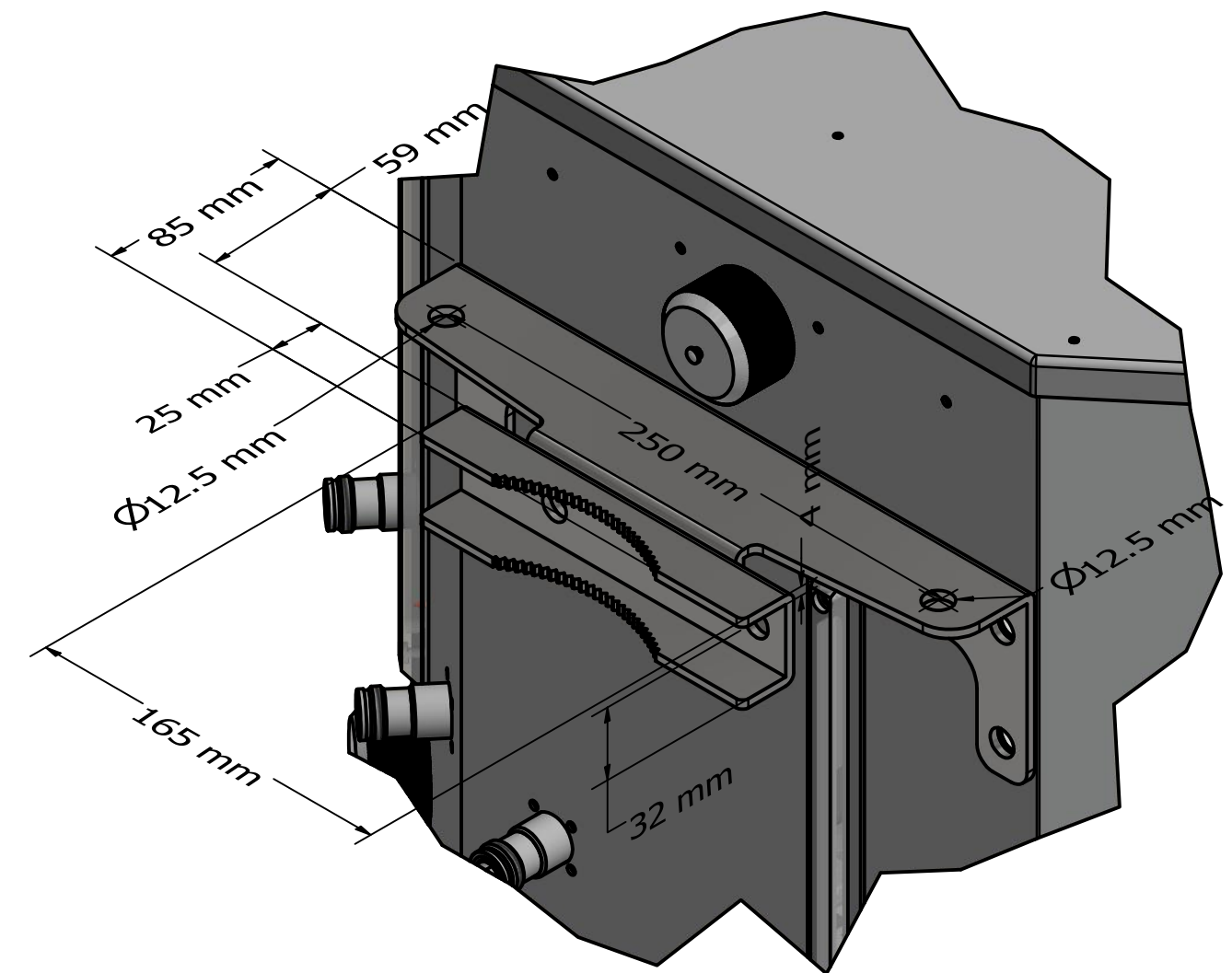


| | | | | |
|------------------|----------|--------------|-------------------------------|----------|
| DRAWN Pavel | | MatSing | | |
| CHECKED Pavel | 5/7/2019 | TITLE | | |
| QA | | MS-MBA-8 | | |
| MFG | | | | |
| APPROVED | | | | |
| | | SIZE D | DWG NO MS-MBA-8 Rev B (mm) | REV B |
| | | SCALE 1:6 | SHEET 1 OF 3 | |

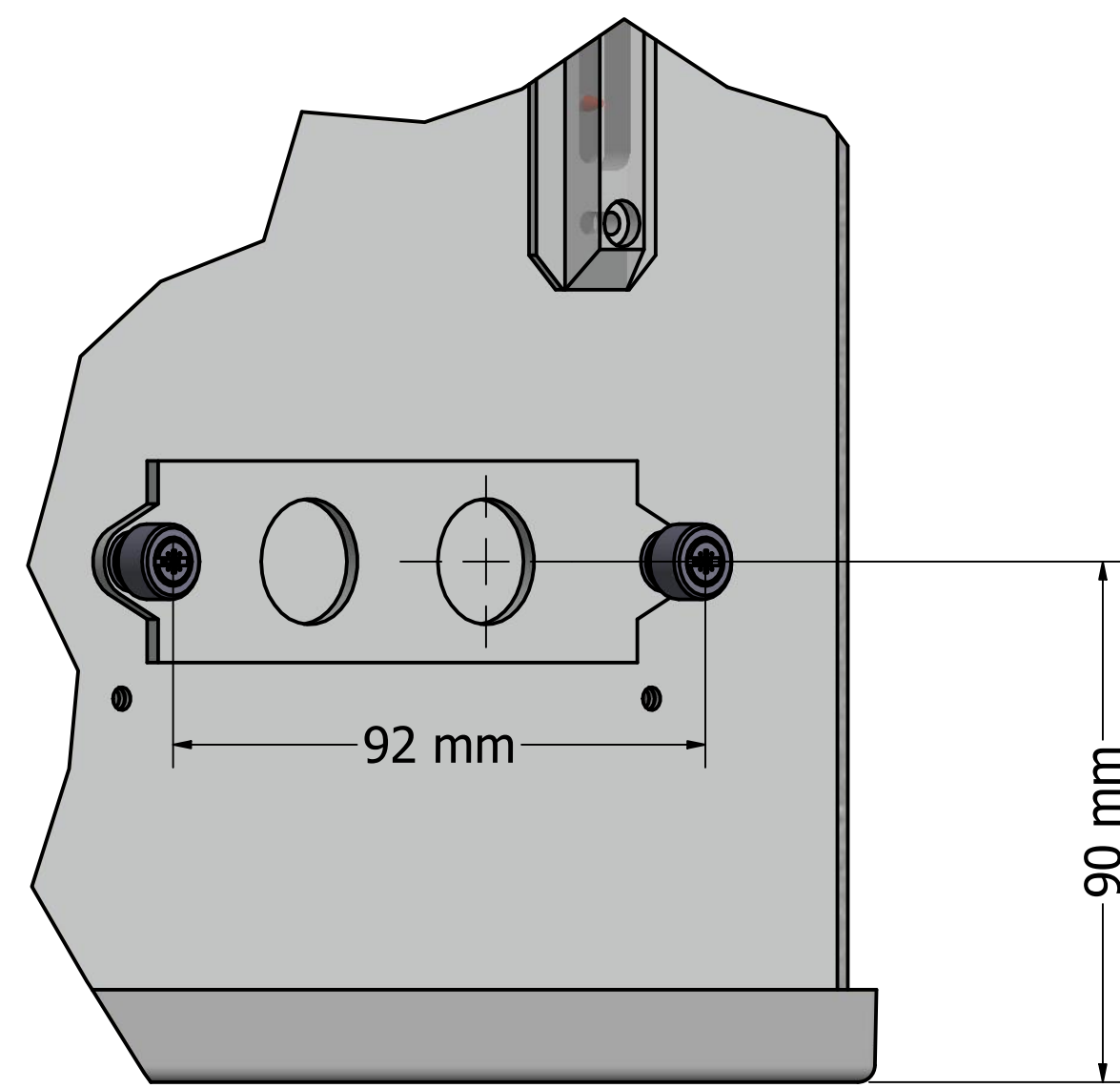
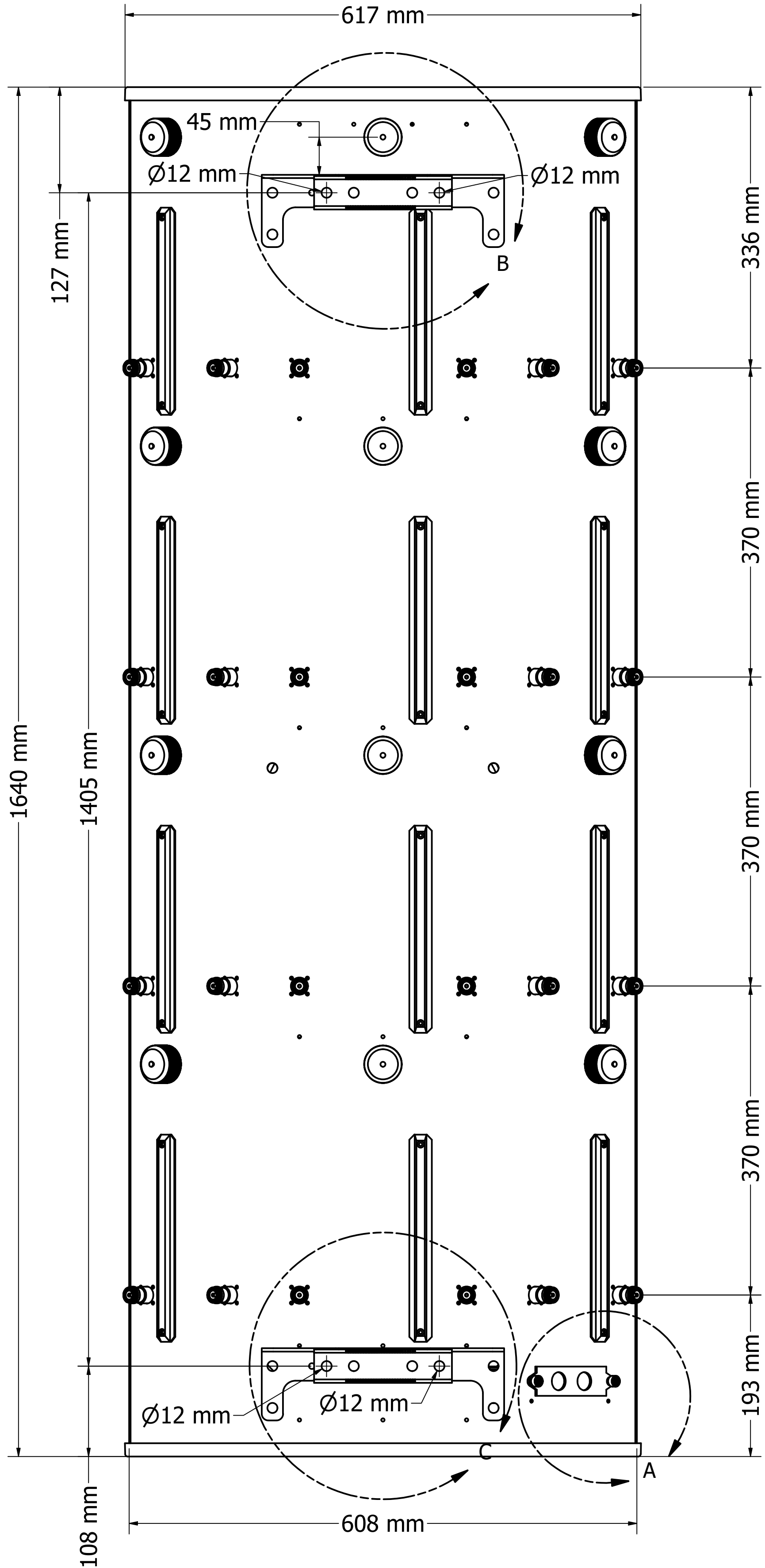
8 7 6 5 4 3 2 1



DETAIL B
SCALE 1 / 2.5



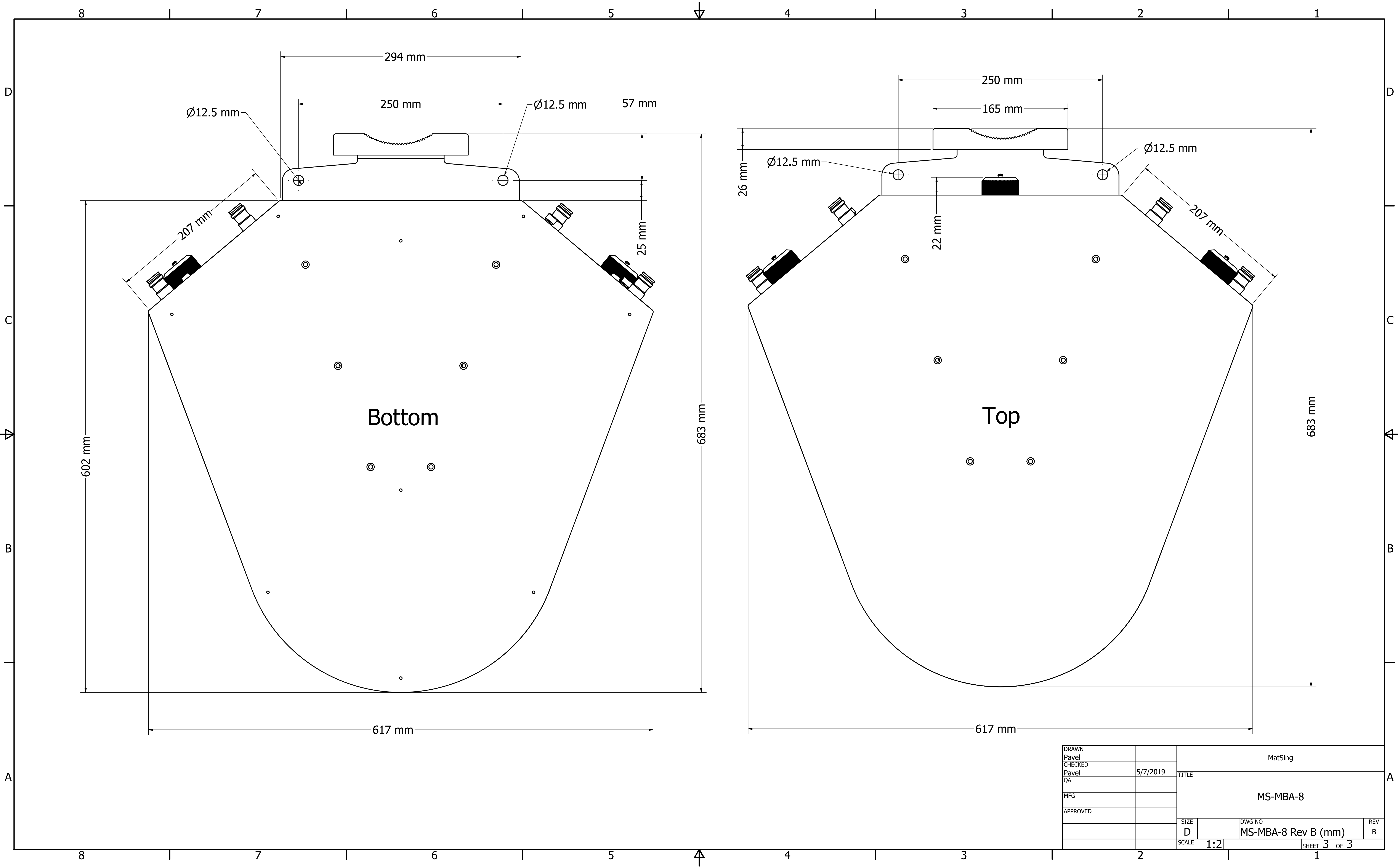
DETAIL C
SCALE 1 / 2.5



DETAIL A
SCALE 0.8

| | | | | |
|------------------|----------|--------------|-------------------------------|----------|
| DRAWN Pavel | | MatSing | | |
| CHECKED Pavel | 5/7/2019 | TITLE | | |
| QA | | MS-MBA-8 | | |
| MFG | | SIZE D | DWG NO MS-MBA-8 Rev B (mm) | REV B |
| APPROVED | | SCALE 1:4 | SHEET 2 OF 3 | |

8 7 6 5 4 3 2 1



Bottom

Top

| | | | | |
|----------|----------|----------|---------------------|-----|
| DRAWN | | MatSing | | |
| CHECKED | | TITLE | | |
| Pavel | 5/7/2019 | MS-MBA-8 | | |
| QA | | | | |
| MFG | | | | |
| APPROVED | | | | |
| | | SIZE | DWG NO | REV |
| | | D | MS-MBA-8 Rev B (mm) | B |
| | | SCALE | SHEET 3 OF 3 | |
| | | 1:2 | | |