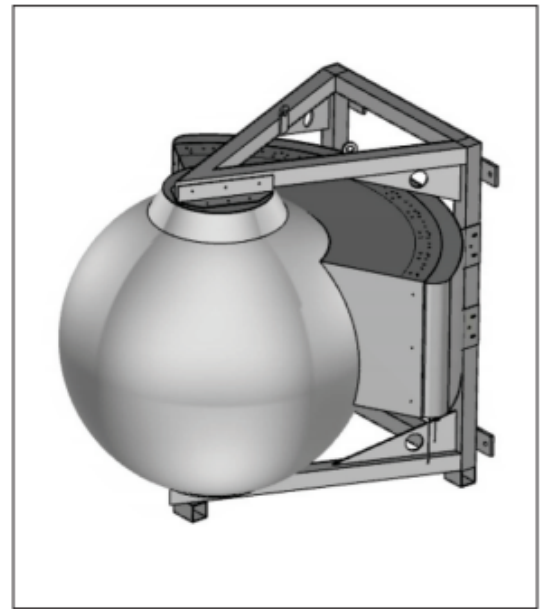
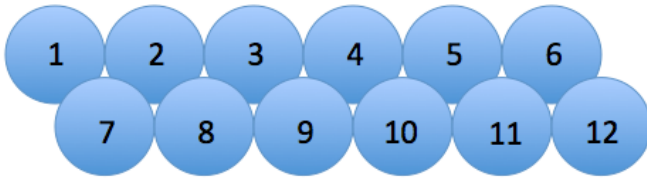


MS-12H90

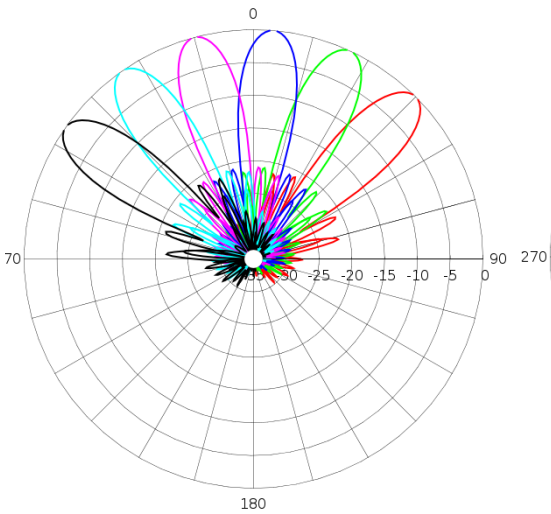
Multi-Beam Wide Band Spherical Lens Antenna: 2 rows of 6 independent high frequency (1710-2690MHz) cross-polarized beams. Top and bottom row have independent 15° tilt.

BEAM LAYOUT:

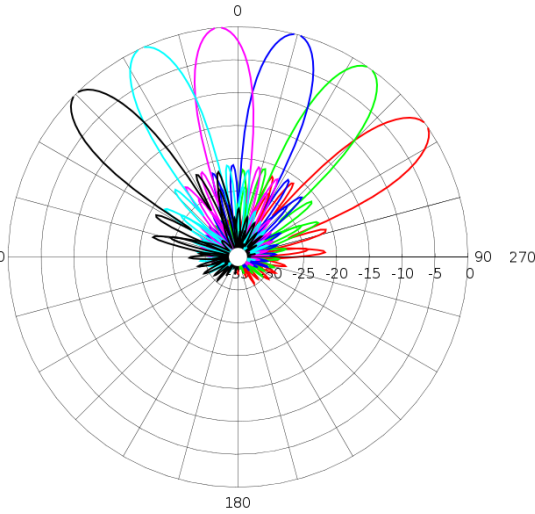


PATTERN RESULTS (1.8GHz):

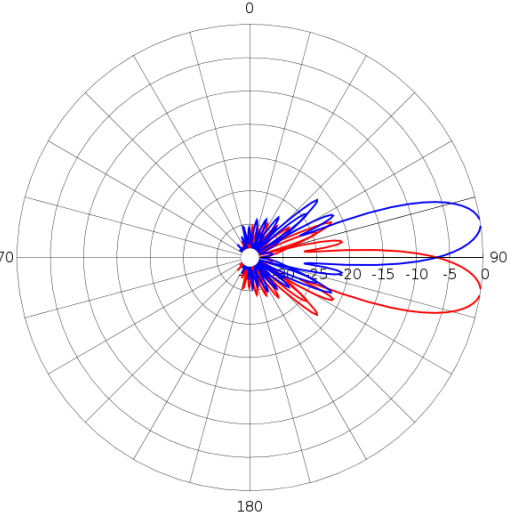
Horizontal Pattern top row



Horizontal Pattern bottom row



Vertical Pattern



TECHINCAL SPECIFICATIONS PER BEAM

Frequency	1710-2690 MHz
Gain	22.5dBi
VSWR	<1.5:1
Polarization	Dual Slant ±45°
Horizontal Coverage	120°
Horizontal Beamwidth (10dB)	20°
Horizontal Beamwidth (3dB)	12°
Vertical Beamwidth (10dB)	20°
Vertical Beamwidth (3dB)	12°
Beam Cross-over	10dB typical
Total Number of Beams	12
Tilt	9° upper row -9° lower row
First Sidelobe Level	<-16dB
Front to Back Ratio	>28dB
Isolation Port to Port -Polarization	>28dB
Isolation Port to Port – Beam	>28dB
Power Rating	200W per port
Intermodulation	<-153dBc
Impedance	50 ohm
Connector Quantity and Type	24 x 4.3-10 female

MECHANICAL DATA

Dimensions (H x W x D)	Spherical Lens diameter: 90cm/35inch
	Antenna dimensions: 110 x 119 x 121 cm 43 x 47 x 48 inch
Antenna Weight	55kg 122lbs
Radome Material	Fibre Glass
Mounting	2 position pipe mount Compatible pipe diameter: 6.1 – 11.4 cm 2.4 – 4.5 inch

ENVIRONMENTAL RATINGS

Humidity	95% RH @ +30°C
Temperature	-40°C to +70°C
Wind load	754N @ 160km/h 170lbf @ 160km/h

SAMPLE CONNECTOR LAYOUT:

