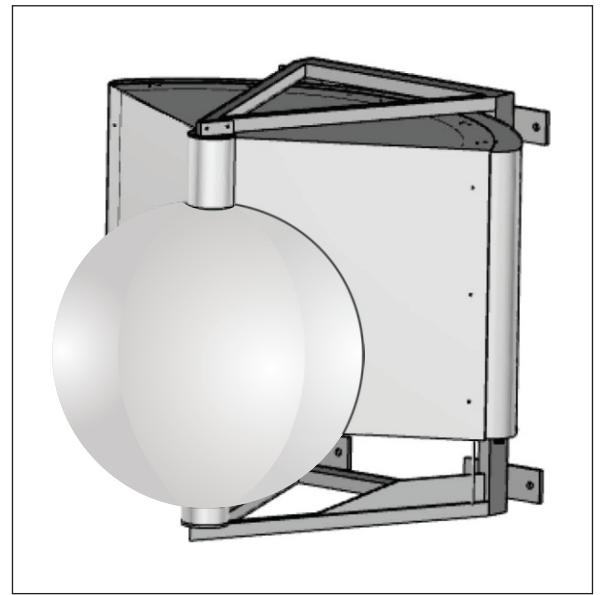


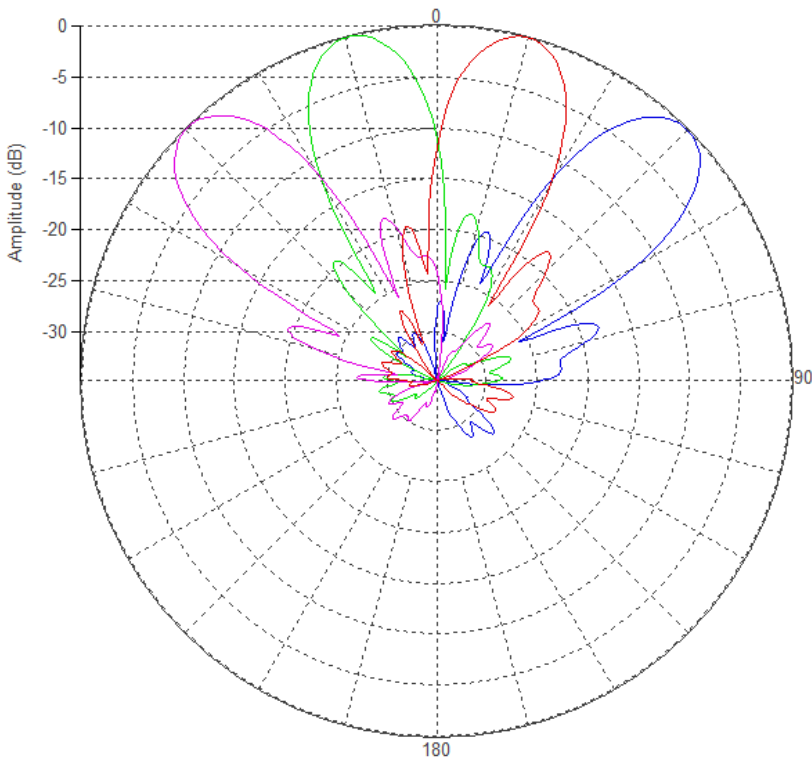
MS-4H60

Multi-Beam Wide Band Spherical Lens Antenna 4 independent high frequency (1710-2690MHz) cross-polarized beams with 2X2 MIMO support and 15° adjustable tilt per beam.

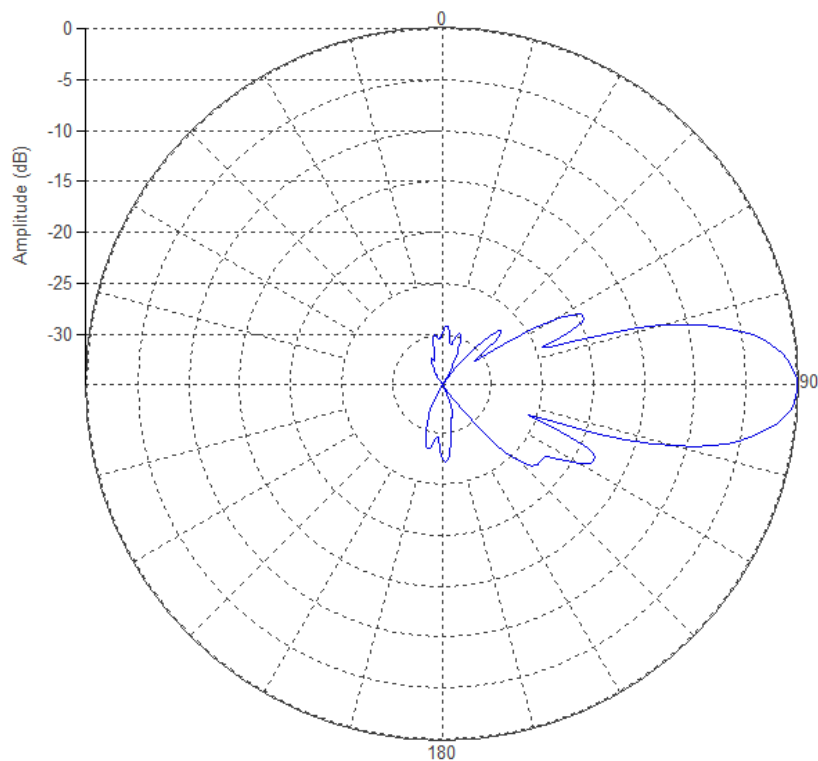


PATTERN RESULTS:

Horizontal Pattern(1.92GHz)



Vertical Pattern(1.92GHz)



| TECHNICAL SPECIFICATIONS | |
|-------------------------------------|-----------------|
| Frequency | 1710-2690 MHz |
| Gain | 20.5dBi |
| VSWR | <1.5:1 |
| Polarization | Dual Slant±45° |
| Horizontal Coverage | 120° |
| Horizontal Beamwidth (10dB level) | 30° |
| Horizontal Beamwidth (3dB level) | 17° |
| Vertical Beamwidth (10dB level) | 30° |
| Vertical Beamwidth (3dB level) | 17° |
| Beam Cross-over | 10dB typical |
| Total Number of Beams | 4 |
| Manual Adjustable Tilt per beam | 0° to 15° |
| First Sidelobe Level | <-16dB |
| Front to Back Ratio | >28dB |
| Isolation Port to Port-Polarization | >28dB |
| Isolation Port to Port-Beam | >28dB |
| Power Rating | 250W per port |
| Intermodulation | <-153dBc |
| Impedance | 50ohm |
| Connector Quantity and Type | 8x4.3-10 female |

| MECHANICAL DATA | |
|------------------------|--|
| Dimensions (H x W x D) | Spherical Lens diameter: 60cm/24inch Antenna dimensions: 70x80x80 cm 28x32x32 inch |
| Antenna Weight | 28kg/62lbs |
| Radome Material | Fiber Glass |
| Mounting | Adjustable clams Compatible pipe diameter: 6.1 - 11.4 cm 2.4 - 4.5 inch |
| ENVIRONMENTAL RATINGS | |
| Humidity | 95% RH@+30°C |
| Temperature | -40°C to+70°C |
| Wind load (Front) | 462 N@151km/hr 104 lbf@151km/hr |

SAMPLE CONNECTOR LAYOUT:

