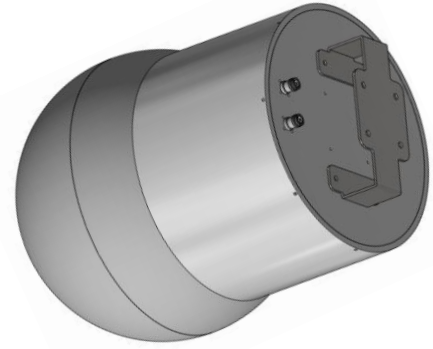


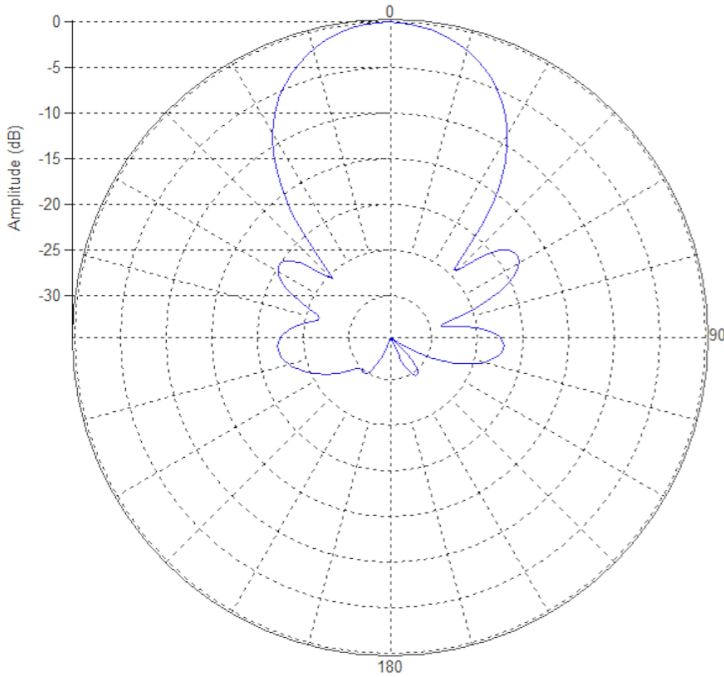
MS-SB-L

Lens Technology Enabled™ Base-Station Antenna perfect stadium applications, utilizes a patented spherical lens design with 1 isolated low-frequency (698-960MHz) cross-polarized beam. Beam has 2 cross-polarized ports for supporting 2X2 MIMO and low side-lobes.

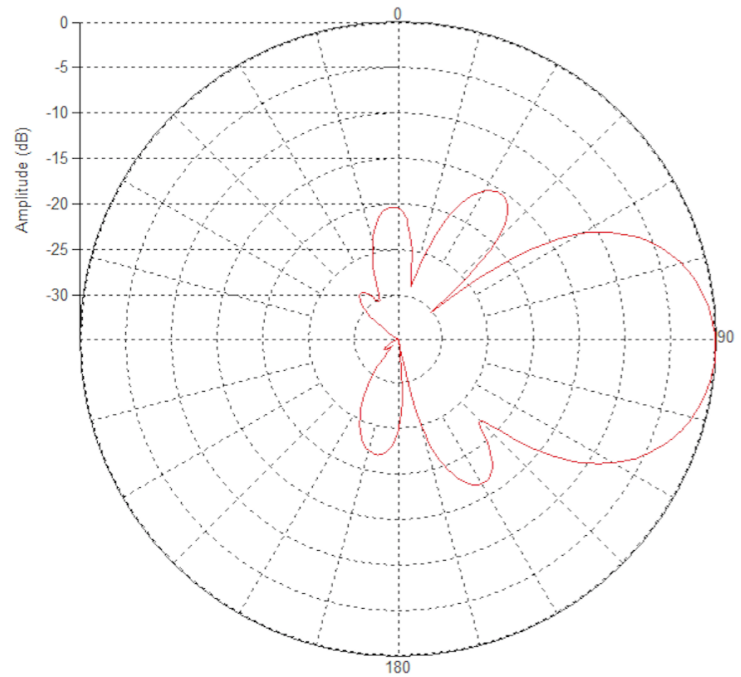


PATTERN RESULTS:

Low-Band Horizontal Pattern (800MHz)



Low-Band Vertical Pattern (800MHz)



TECHNICAL SPECIFICATIONS	
Frequency	698-960 MHz
Gain	14.2dBi
VSWR	<1.5:1
Polarization	Dual Slant ±45
Horizontal Coverage	60°
Horizontal Beamwidth (10dB)	60°
Horizontal Beamwidth (3dB)	34°
Horizontal Beamwidth (10dB)	60°
Vertical Beamwidth (3dB)	34°
Total Number of Beams	1
Number of Ports per Beam	2
Number of Ports Total	2
First Sidelobe Level	<-18dB
Front to Back Ratio	>28dB
Isolation Port to Port -Polarization	>28dB
Power Rating	250W per port
Intermodulation	<-153dBc
Impedance	50 ohm
Connector Quantity and Type	2 4.3-10 female

MECHANICAL DATA	
Dimensions (H x W x D)	45 x 45 x 66 cm
	17 x 17 x 25 inch
Antenna Weight	6 kg
	13 lbs
Radome Material	Polycarbonate
Mounting	TBD
ENVIRONMENTAL RATINGS	
Humidity	95% RH @ +30°C
Temperature	-40°C to +70°C
Wind load	TBD

CONNECTOR LAYOUT:

