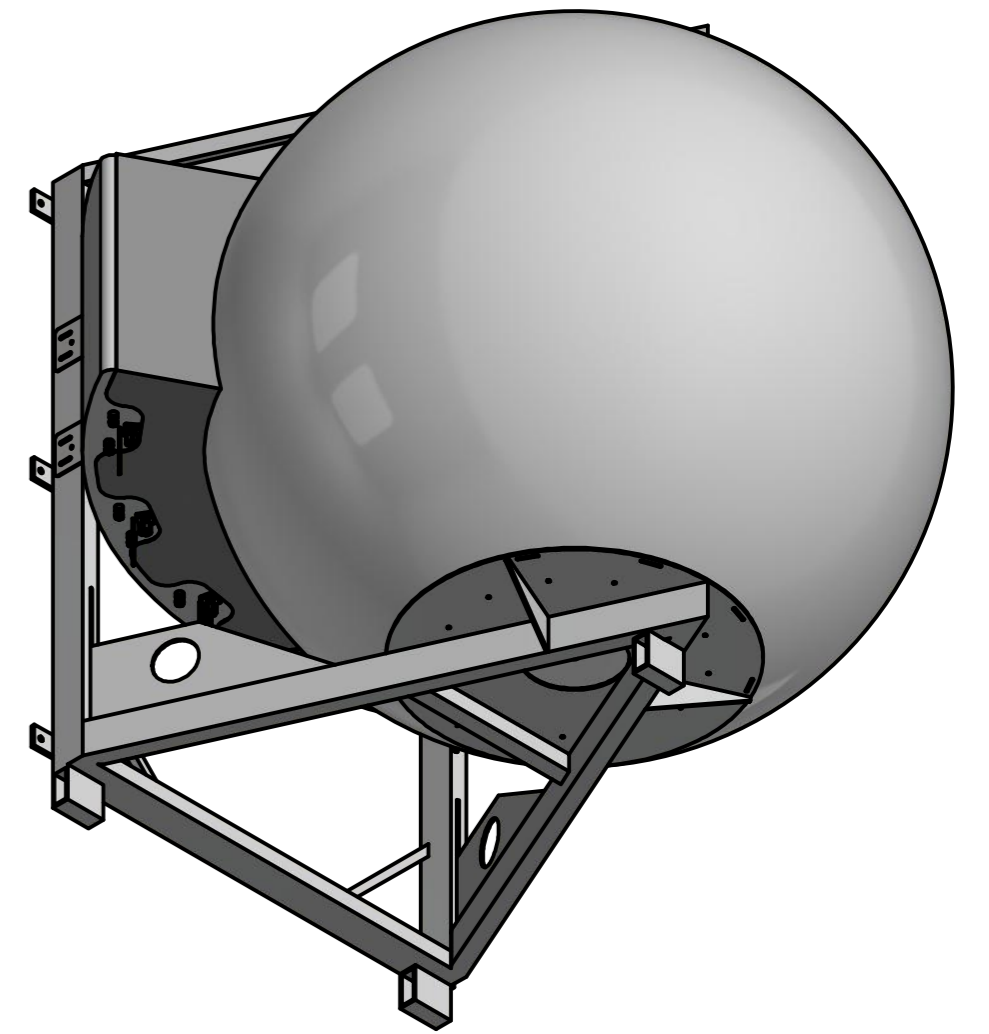
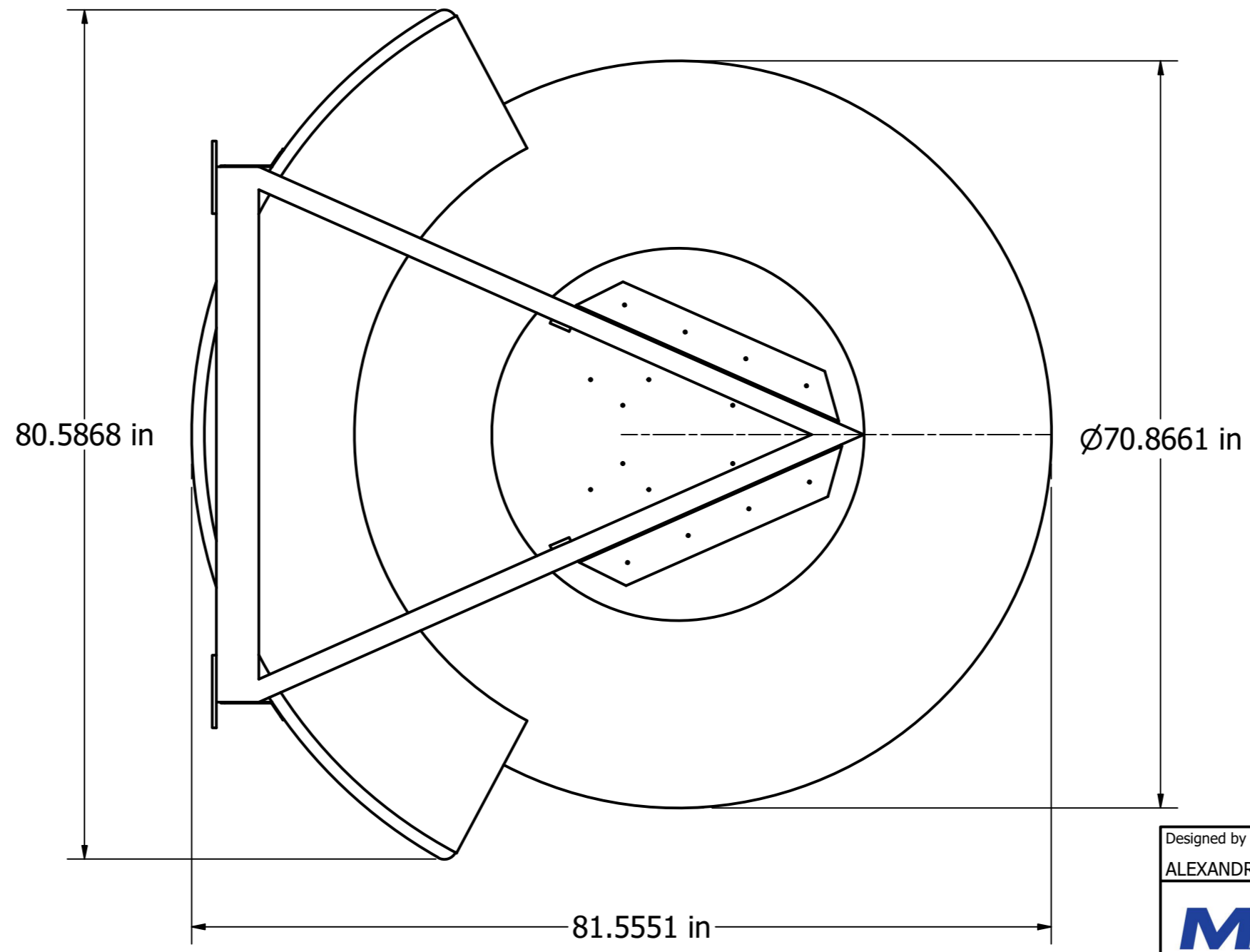
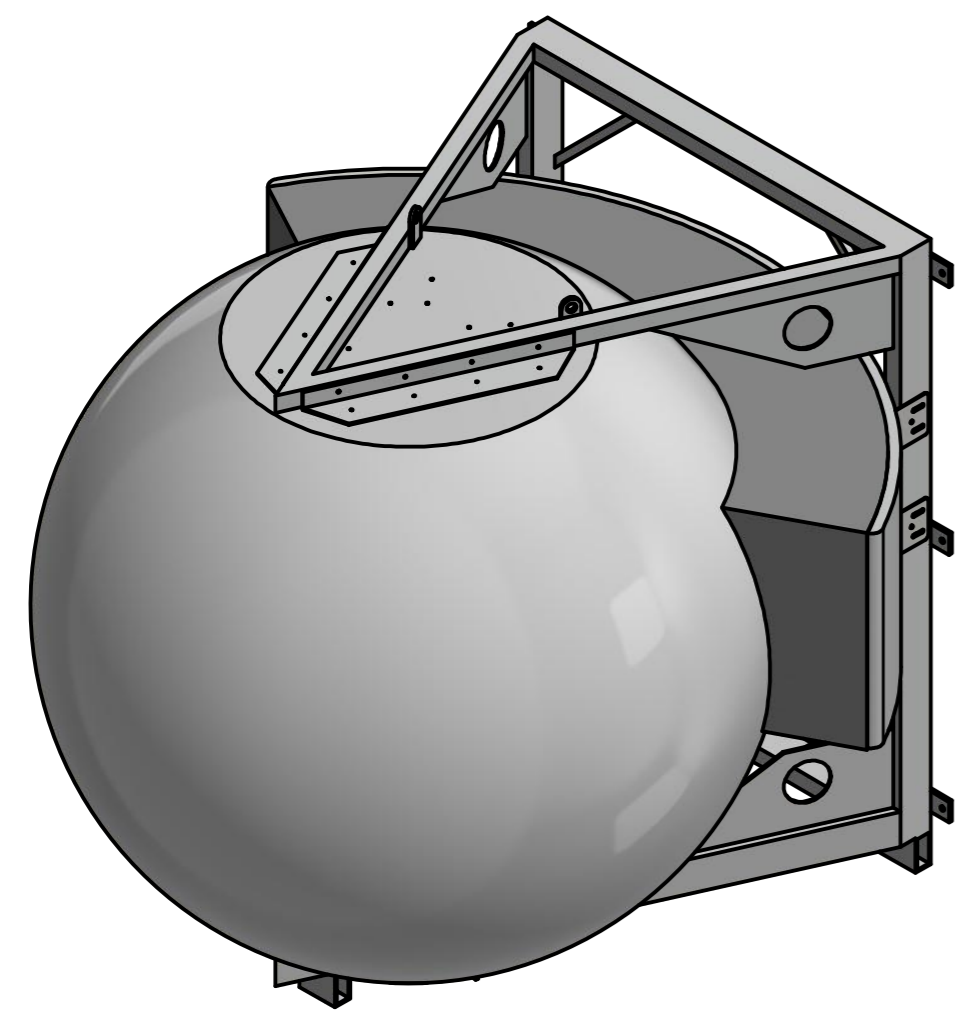
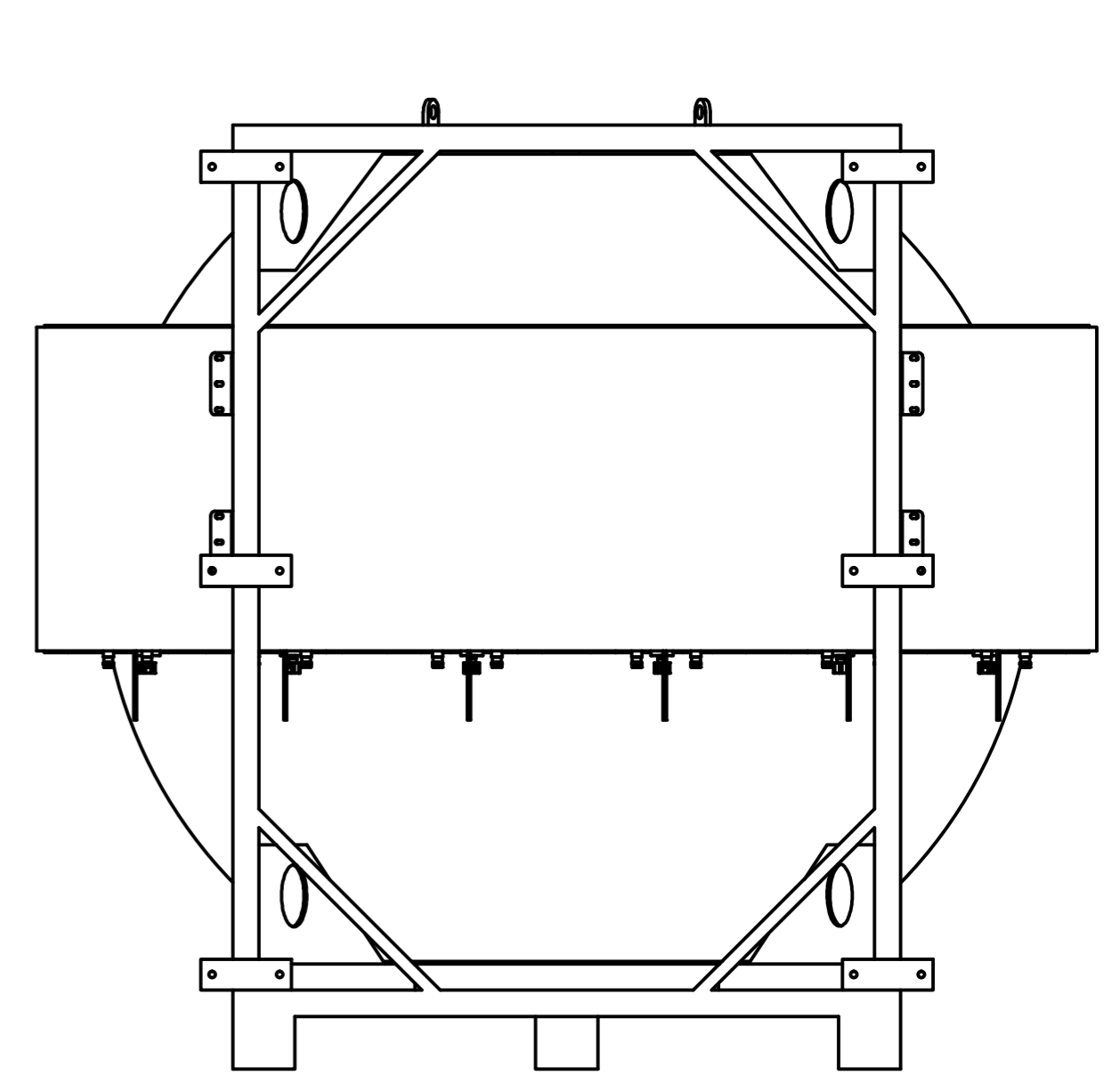
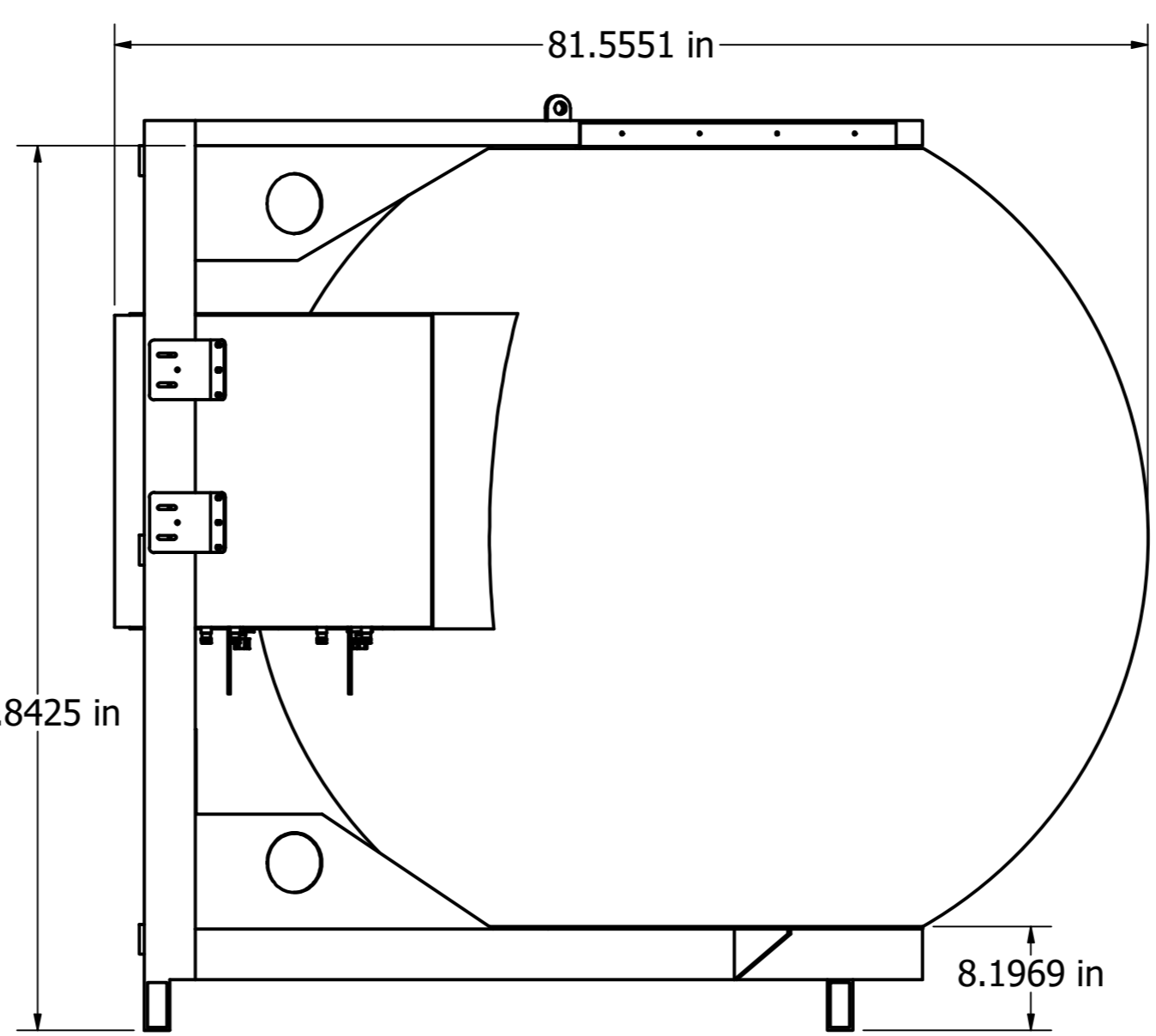
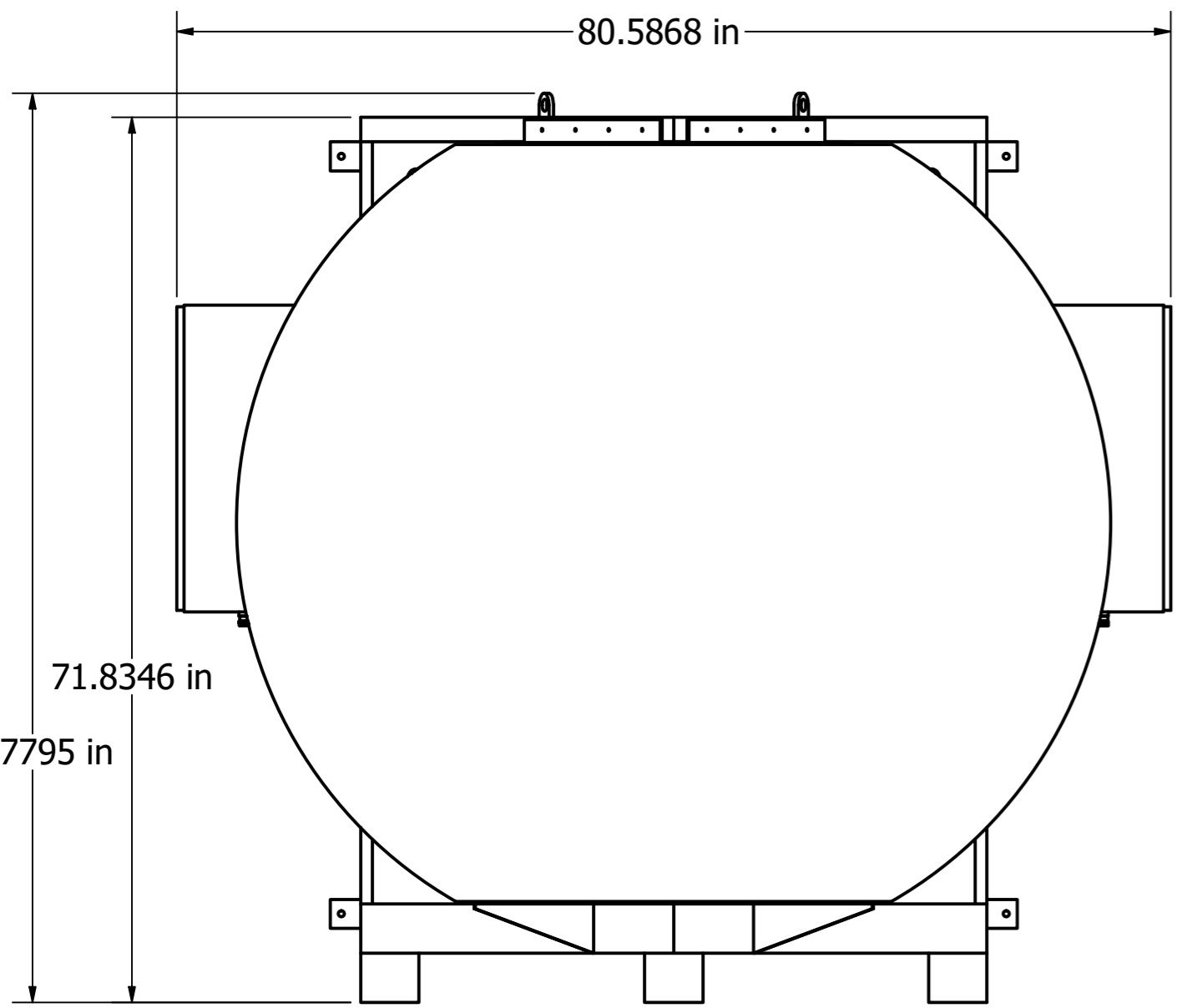


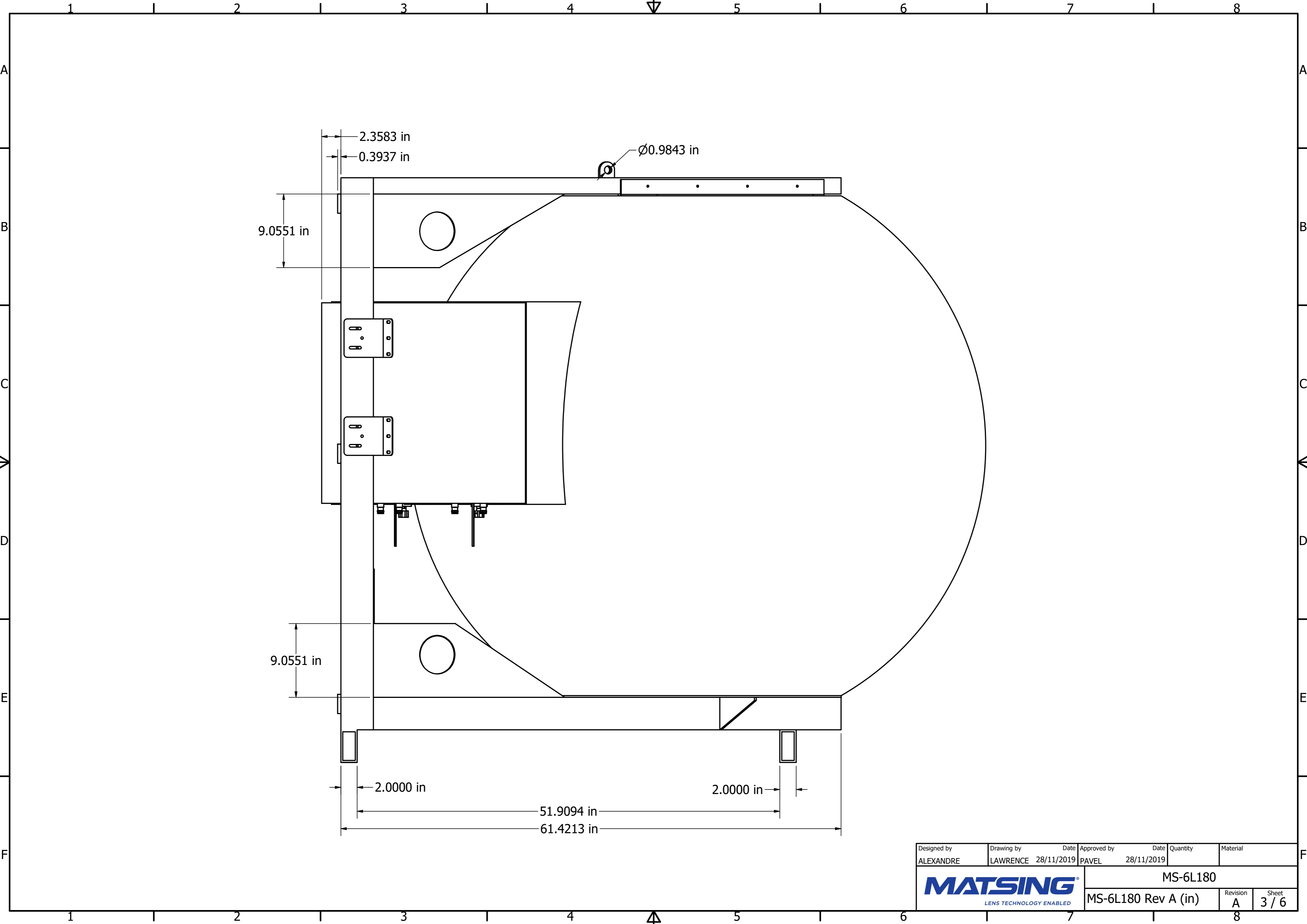
1 2 3 4 5 6 7 8

A B C D E F

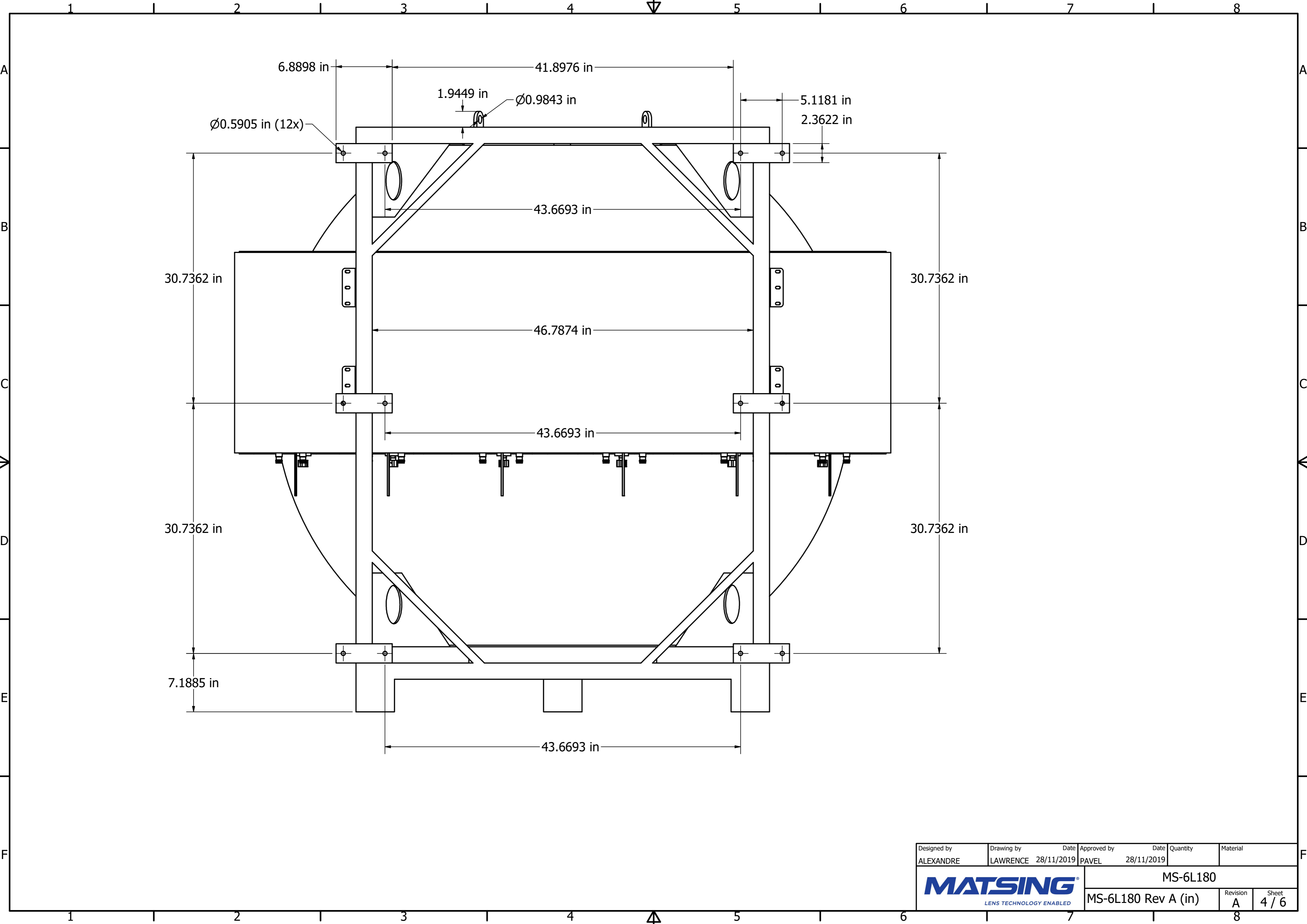


Designed by ALEXANDRE	Drawing by LAWRENCE	Date 28/11/2019	Approved by PAVEL	Date 28/11/2019	Quantity	Material	
MATSING LENS TECHNOLOGY ENABLED						MS-6L180	
MS-6L180 Rev A (in)						Revision A	Sheet 1 / 6

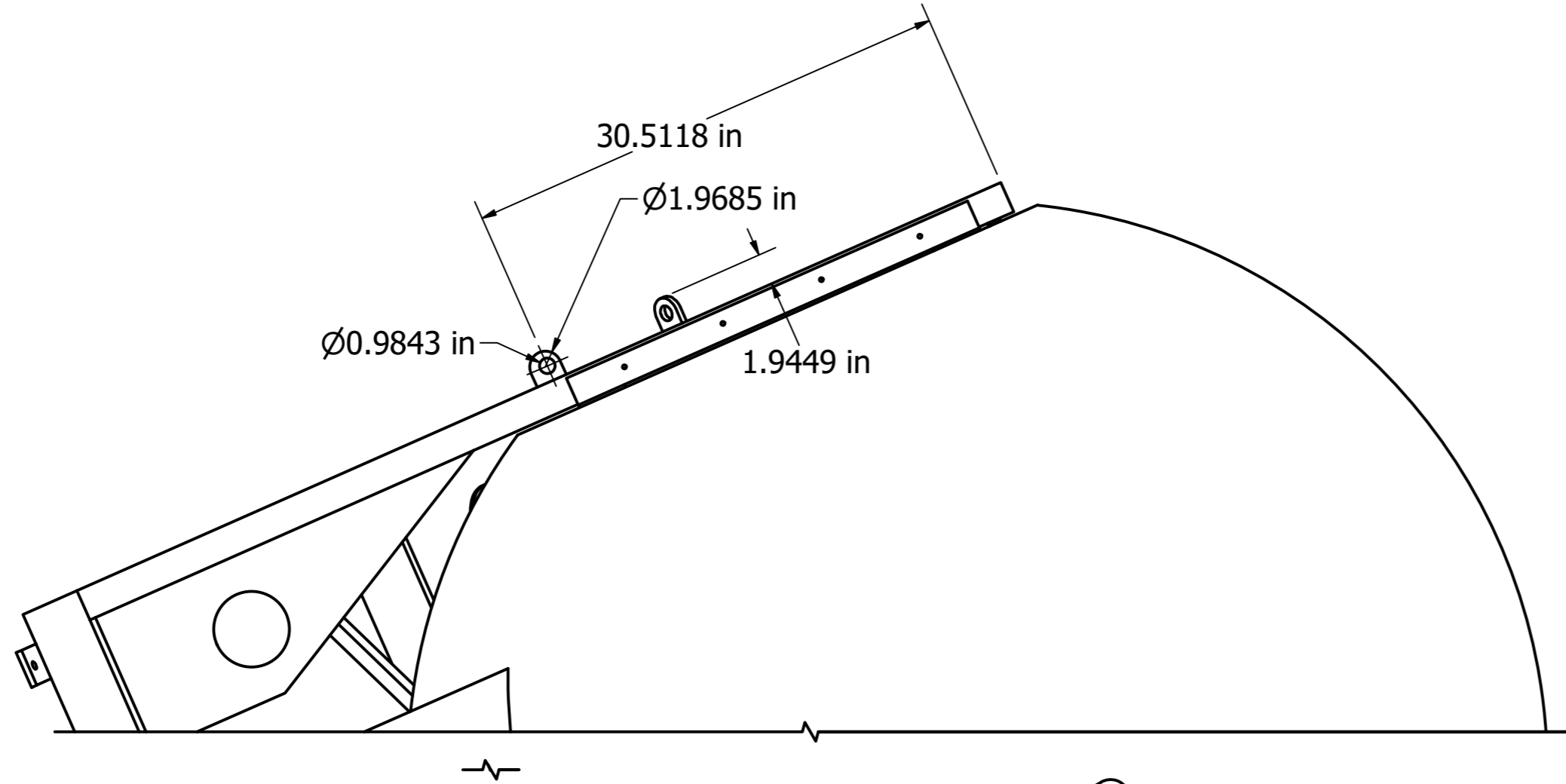
1 2 3 4 5 6 7 8



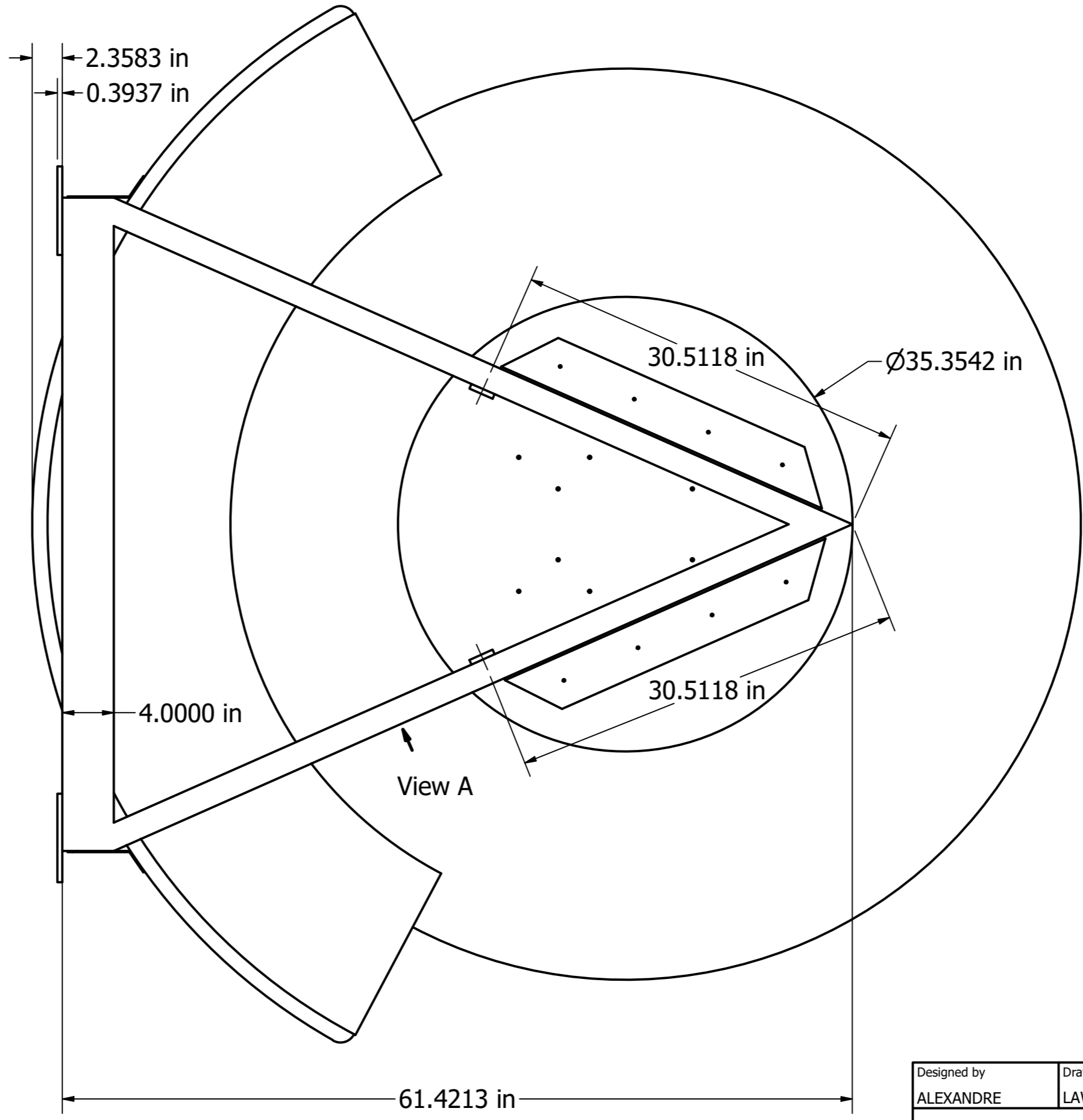
Designed by ALEXANDRE	Drawing by LAWRENCE	Date 28/11/2019	Approved by PAVEL	Date 28/11/2019	Quantity	Material	
MATSING LENS TECHNOLOGY ENABLED						MS-6L180	
MS-6L180 Rev A (in)						Revision A	Sheet 3 / 6



Designed by ALEXANDRE	Drawing by LAWRENCE	Date 28/11/2019	Approved by PAVEL	Date 28/11/2019	Quantity	Material
MATSING LENS TECHNOLOGY ENABLED						MS-6L180
MS-6L180 Rev A (in)						Revision A
						Sheet 4 / 6

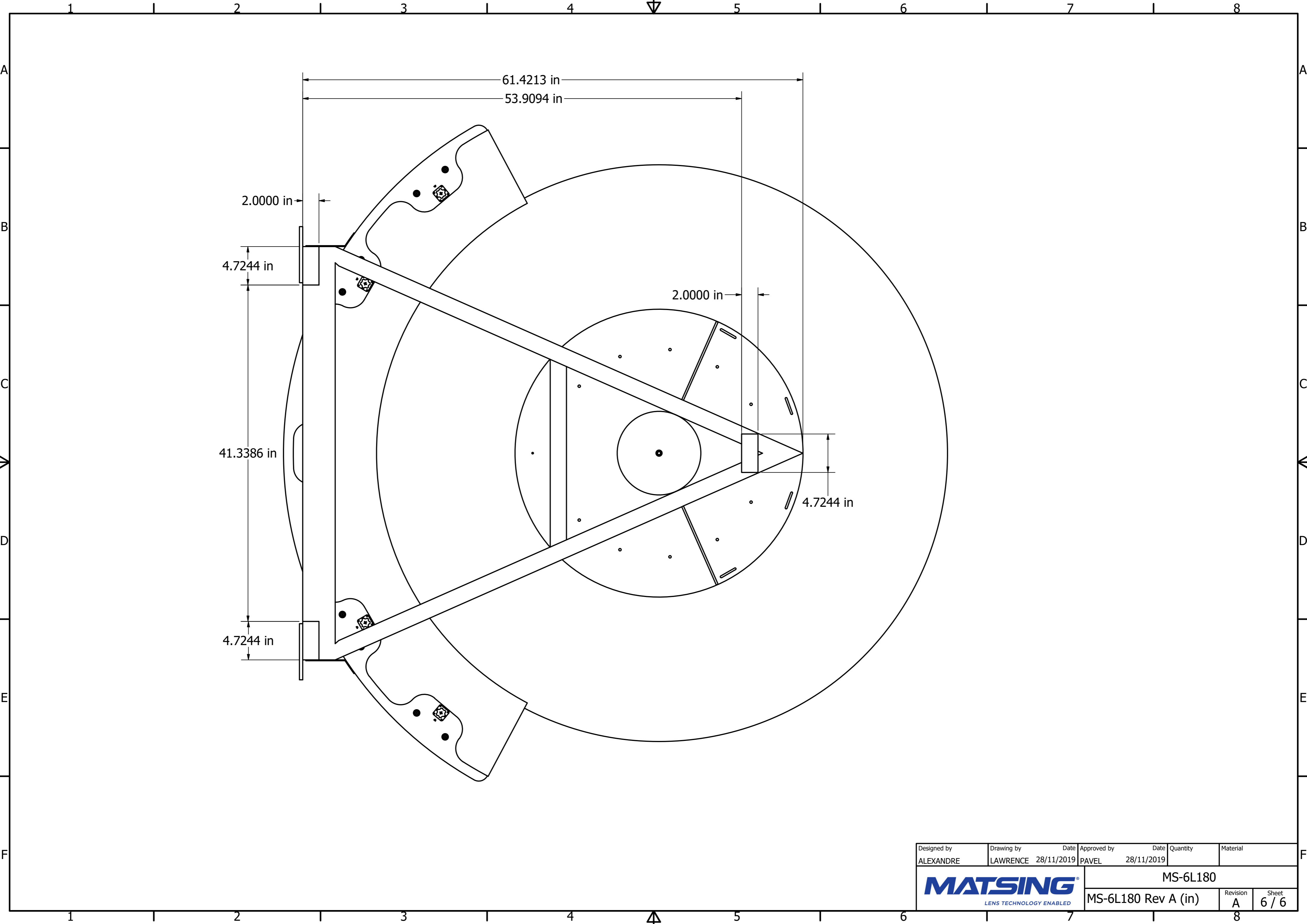


View A



View A

Designed by	Drawing by	Date	Approved by	Date	Quantity	Material
ALEXANDRE	LAWRENCE	28/11/2019	PAVEL	28/11/2019		
MATSING LENS TECHNOLOGY ENABLED						MS-6L180
						MS-6L180 Rev A (in)
					Revision	Sheet
					A	5 / 6



Designed by ALEXANDRE	Drawing by LAWRENCE	Date 28/11/2019	Approved by PAVEL	Date 28/11/2019	Quantity	Material	
MATSING LENS TECHNOLOGY ENABLED						MS-6L180	
MS-6L180 Rev A (in)						Revision A	Sheet 6 / 6