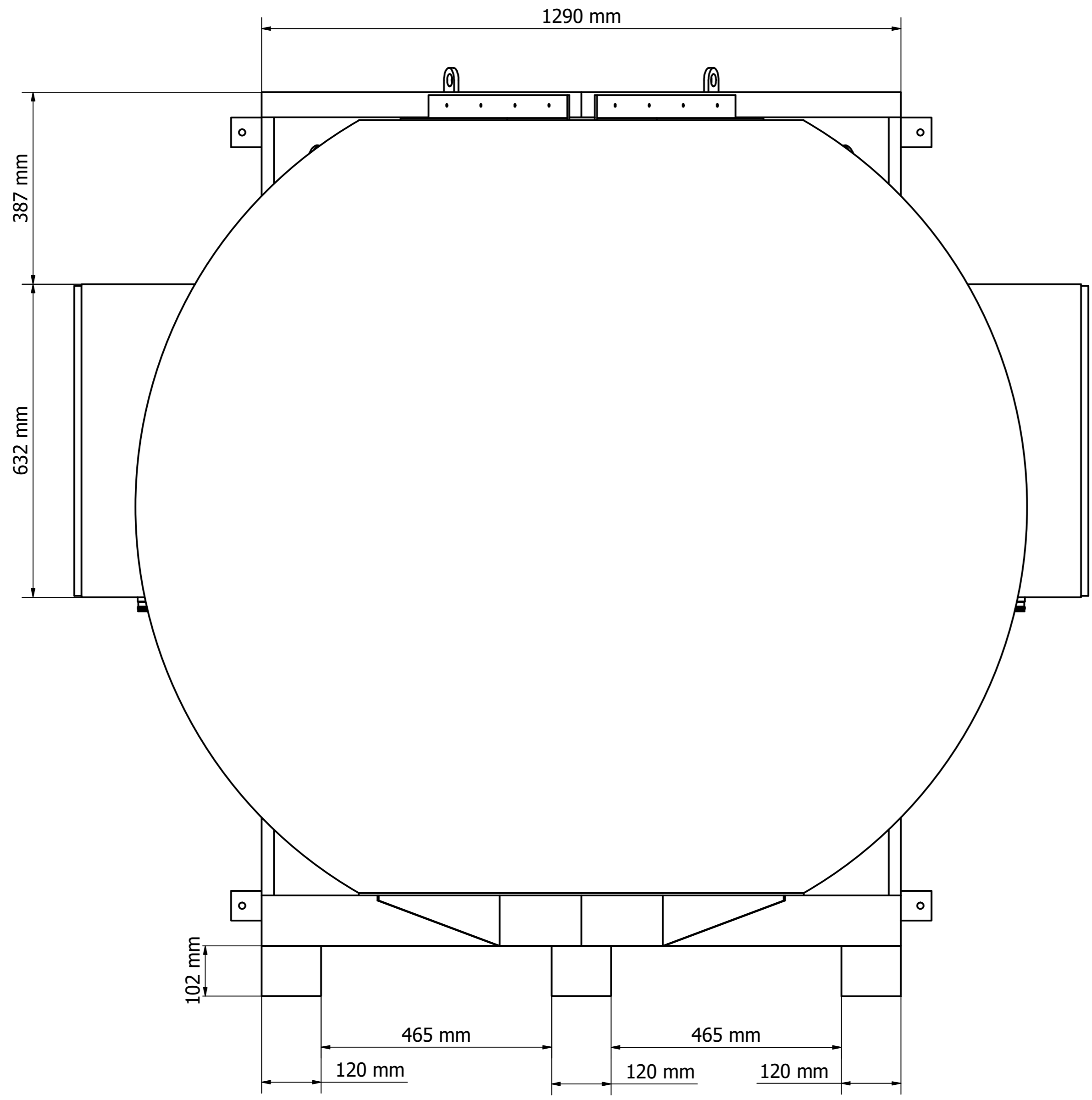

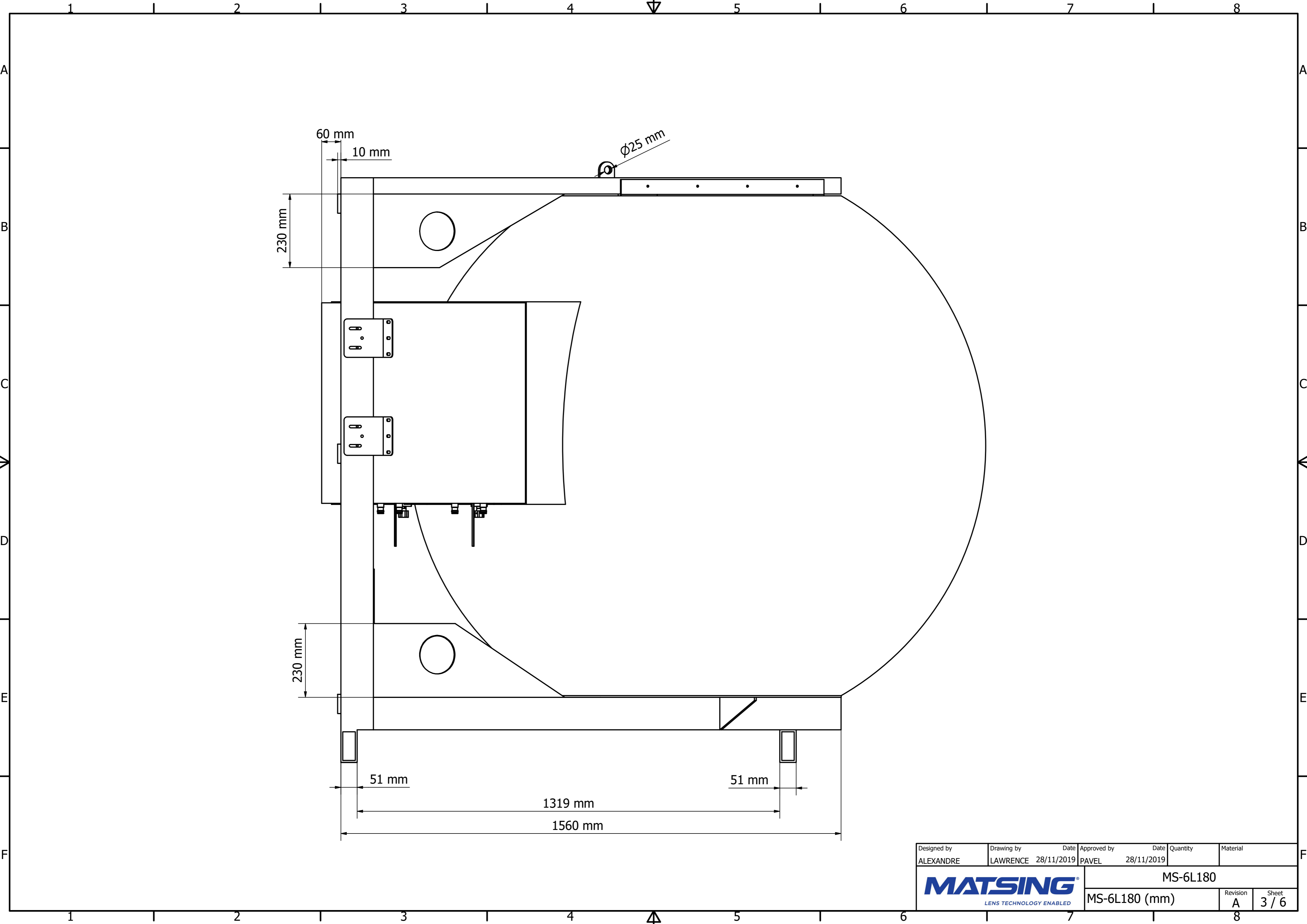


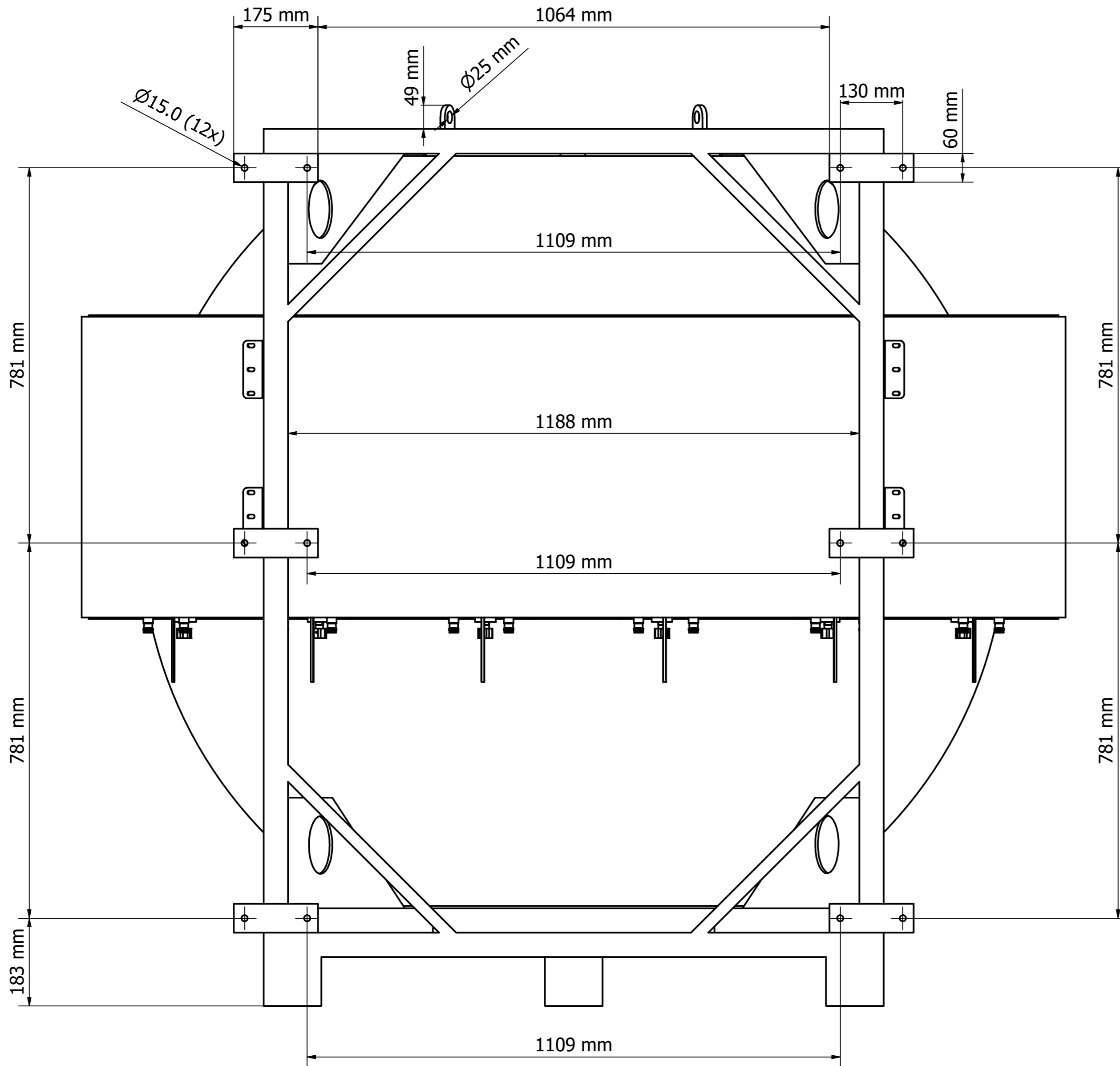
Designed by ALEXANDRE	Drawing by LAWRENCE	Date 28/11/2019	Approved by PAVEL	Date 28/11/2019	Quantity	Material	
<b>MATSING</b> LENS TECHNOLOGY ENABLED						MS-6L180	
MS-6L180 (mm)						Revision A	Sheet 1 / 6



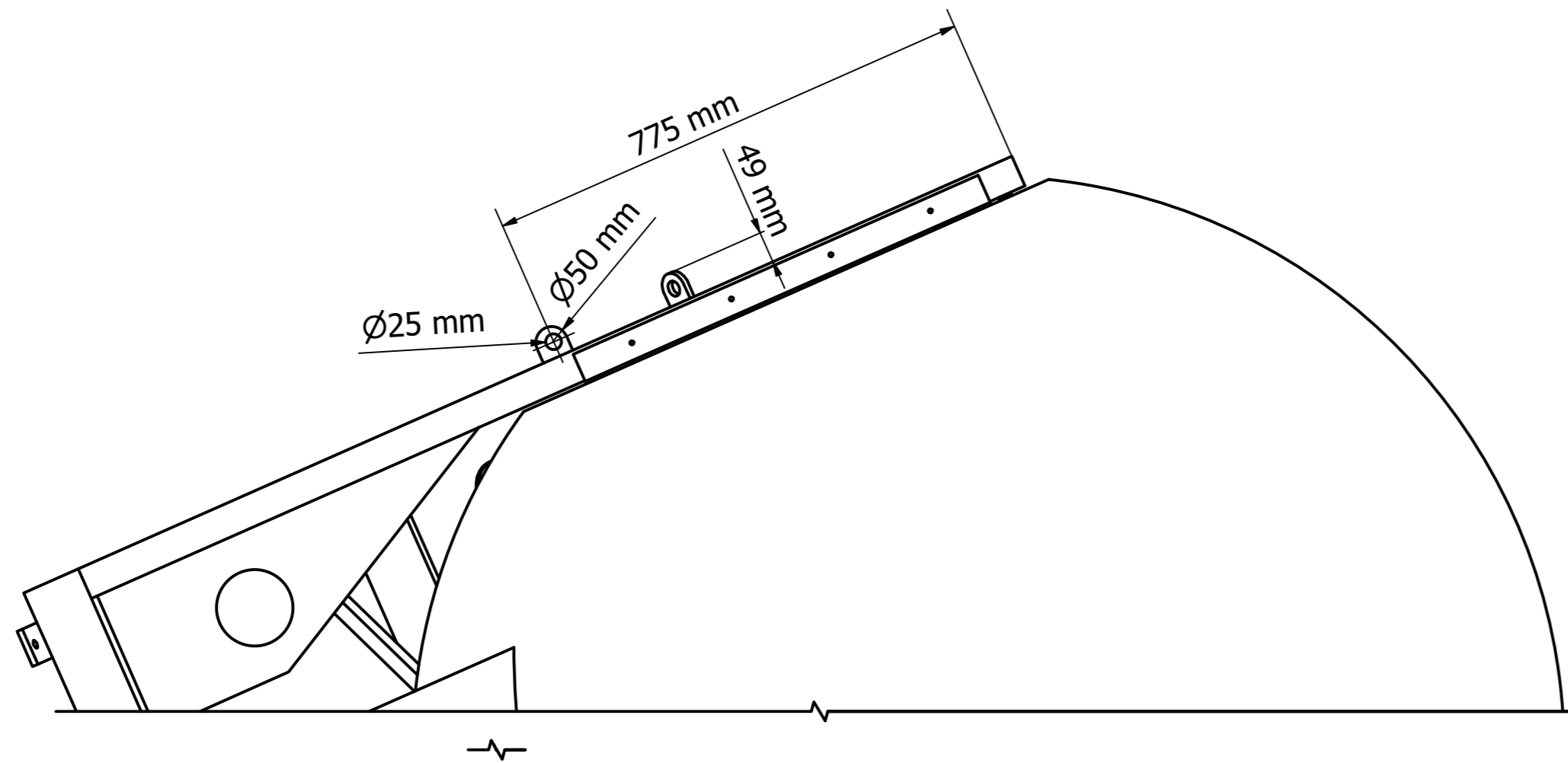
Designed by ALEXANDRE	Drawing by LAWRENCE	Date 28/11/2019	Approved by PAVEL	Date 28/11/2019	Quantity	Material
 <b>MATSING</b> <small>LENS TECHNOLOGY ENABLED</small>						MS-6L180
						MS-6L180 (mm)



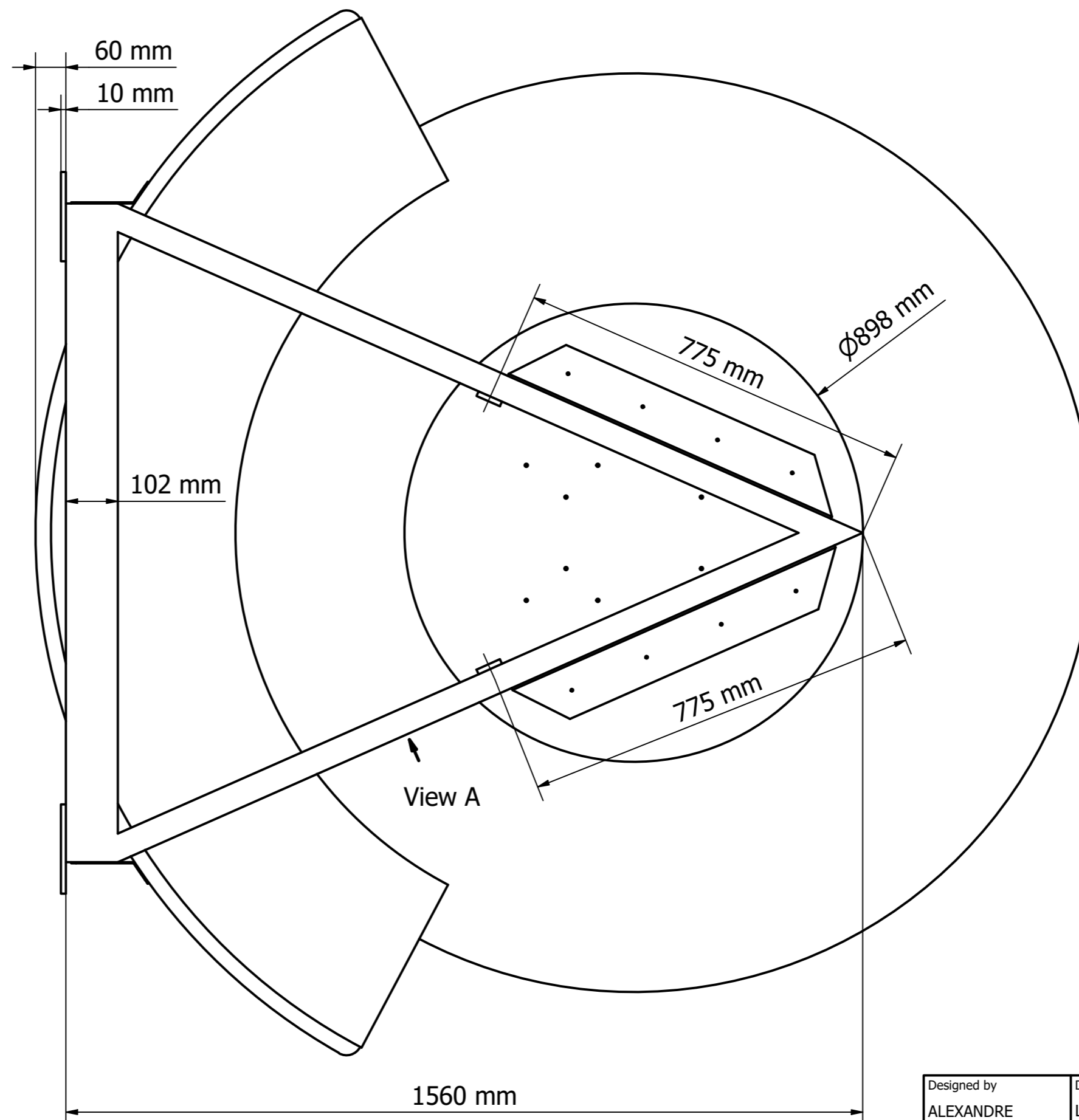
Designed by ALEXANDRE	Drawing by LAWRENCE	Date 28/11/2019	Approved by PAVEL	Date 28/11/2019	Quantity	Material	
<b>MATSING</b> LENS TECHNOLOGY ENABLED						MS-6L180	
MS-6L180 (mm)						Revision A	Sheet 3 / 6



Designed by	Drawing by	Date	Approved by	Date	Quantity	Material	
ALEXANDRE	LAWRENCE	28/11/2019	PAVEL	28/11/2019			
<b>MATSING</b> LENS TECHNOLOGY ENABLED						MS-6L180	
MS-6L180 (mm)						Revision A	Sheet 4 / 6

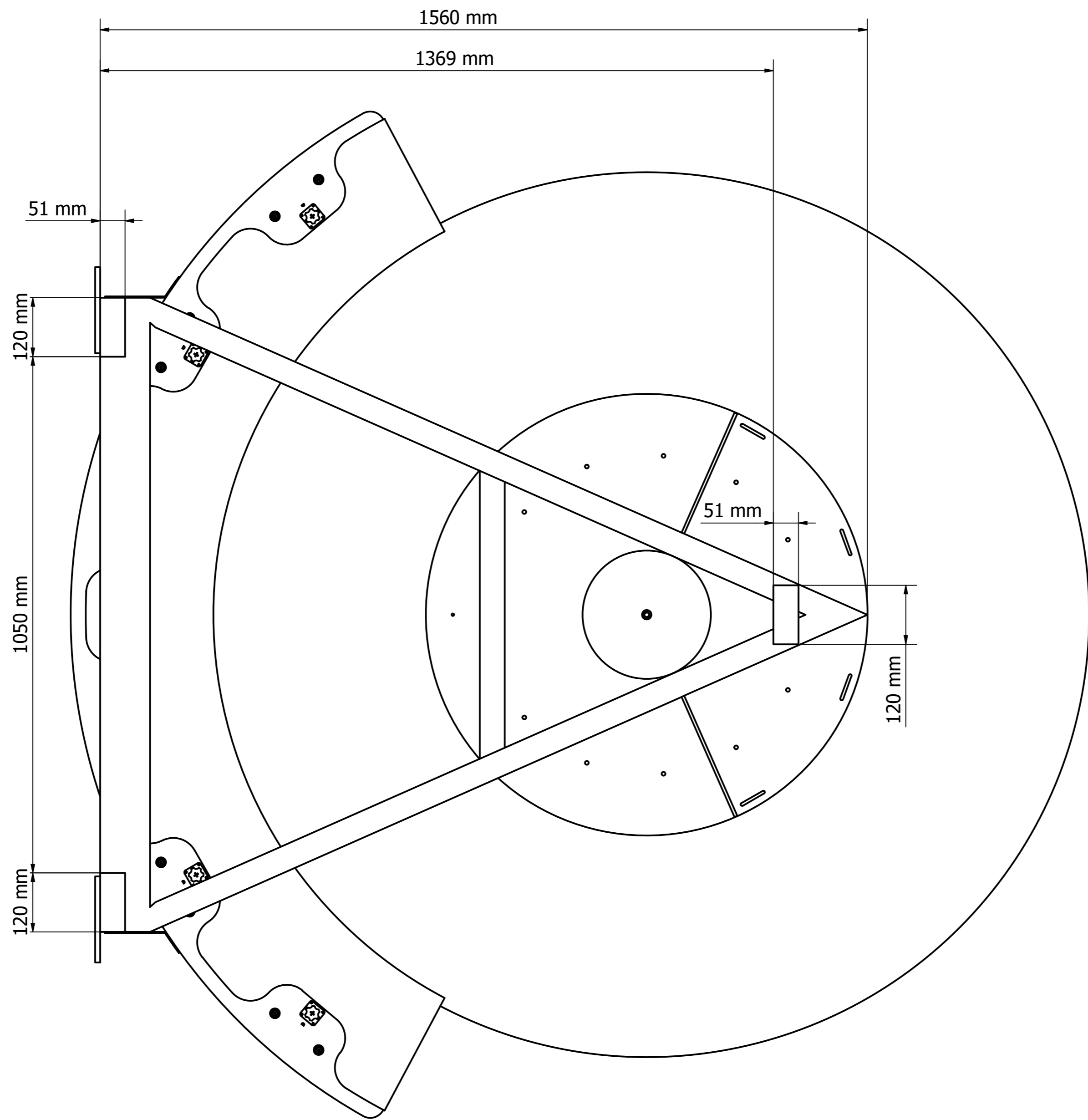


View A



View A

Designed by	Drawing by	Date	Approved by	Date	Quantity	Material
ALEXANDRE	LAWRENCE	28/11/2019	PAVEL	28/11/2019		
<b>MATSING</b> LENS TECHNOLOGY ENABLED						MS-6L180
						MS-6L180 (mm)
					Revision	Sheet
					A	5 / 6



Designed by ALEXANDRE	Drawing by LAWRENCE	Date 28/11/2019	Approved by PAVEL	Date 28/11/2019	Quantity	Material	
<b>MATSING</b> LENS TECHNOLOGY ENABLED						MS-6L180	
MS-6L180 (mm)						Revision A	Sheet 6 / 6