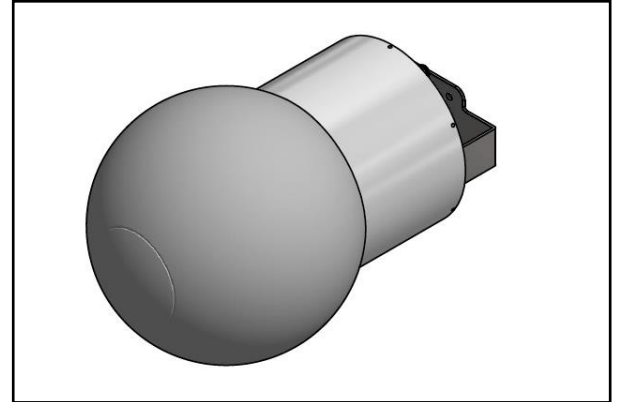


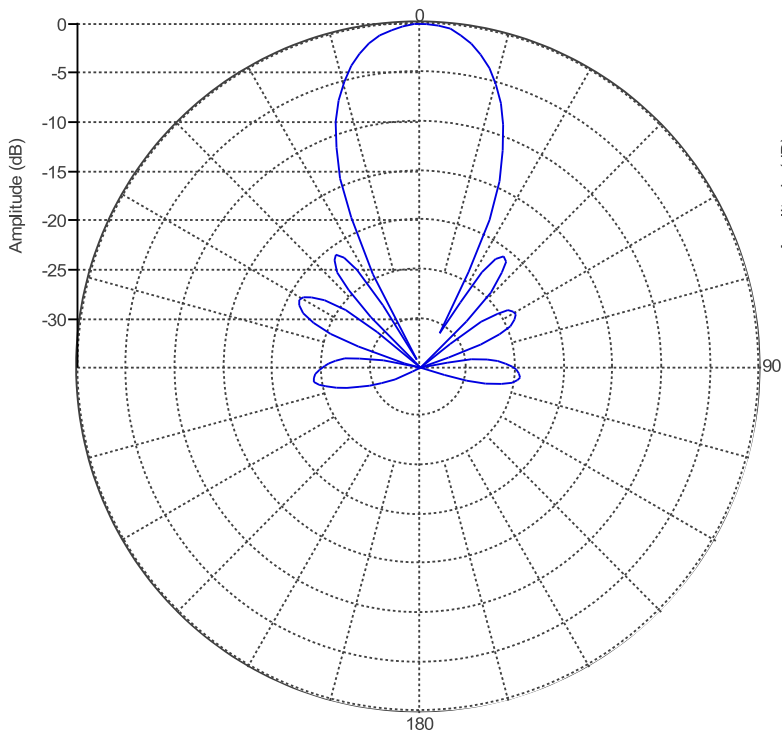
MS-SB-H

Lens Technology Enabled™ Base-Station Antenna perfect for stadium applications, utilizes a patented spherical lens design with 1 isolated high-frequency (1710-2690MHz) cross-polarized beam. Beam has 2 cross-polarized ports for supporting 2X2 MIMO and low side-lobes.

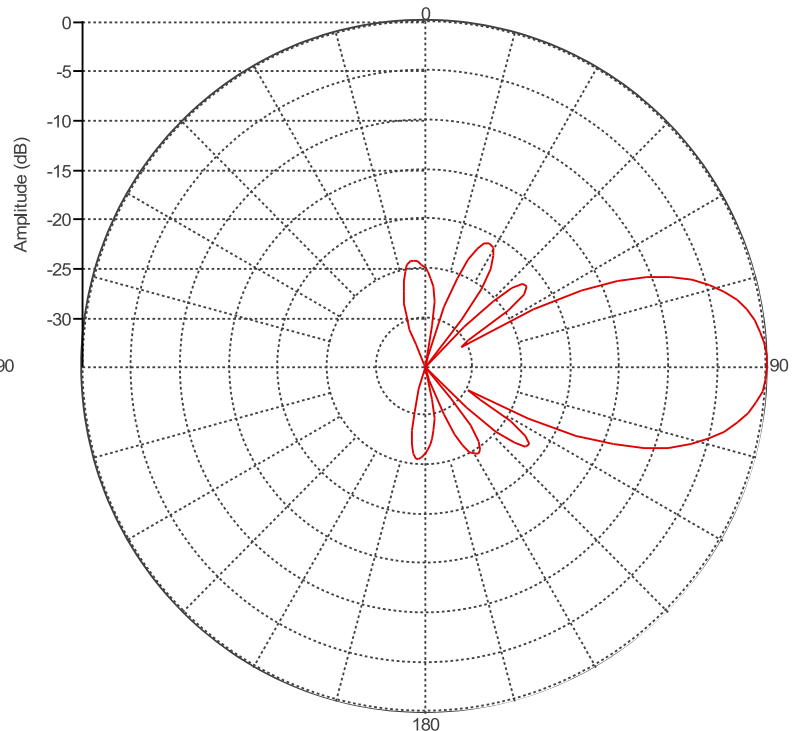


PATTERN RESULTS:

High-Band Horizontal Pattern (1.80GHz)



High-Band Vertical pattern (1.80GHz)



TECHNICAL SPECIFICATIONS

Frequency	1710-2690 MHz
Gain	17.5dBi
VSWR	<1.5:1
Polarization	Dual Slant ±45°
Horizontal Coverage	40°
Horizontal Beamwidth (10dB level)	40°
Horizontal Beamwidth (3dB level)	23°
Vertical Beamwidth (10dB level)	40°
Vertical Beamwidth (3dB level)	23°
Total Number of Beams	1
Number of Ports per Beam	2
First Sidelobe level	<-20dB
Front to Back Ratio	>28dB
Isolation Port to Port - Polarization	>28dB
Power Rating	250W per port
Intermodulation	<-153dBc
Impedance	50 ohm
Connector Quantity and Type	2 x 4.3-10 female

MECHANICAL DATA

Dimensions (H x W x D)	37 x 37 x 56 cm 14.5 x 14.5 x 22 inch
Antenna Weight	4kg 9 lbs
Radome Material	Polycarbonate
Mounting	TBD

ENVIRONMENTAL RATINGS

Humidity	95% RH @ +30°C
Temperature	-40°C to +70°C
Wind load (Frontal)	61.13N @ 150km/hr 13.74lbf @ 150km/hr
Wind load (Lateral)	110.3N @ 150km/hr 24.8lbf @ 150km/hr

CONNECTOR LAYOUT:

