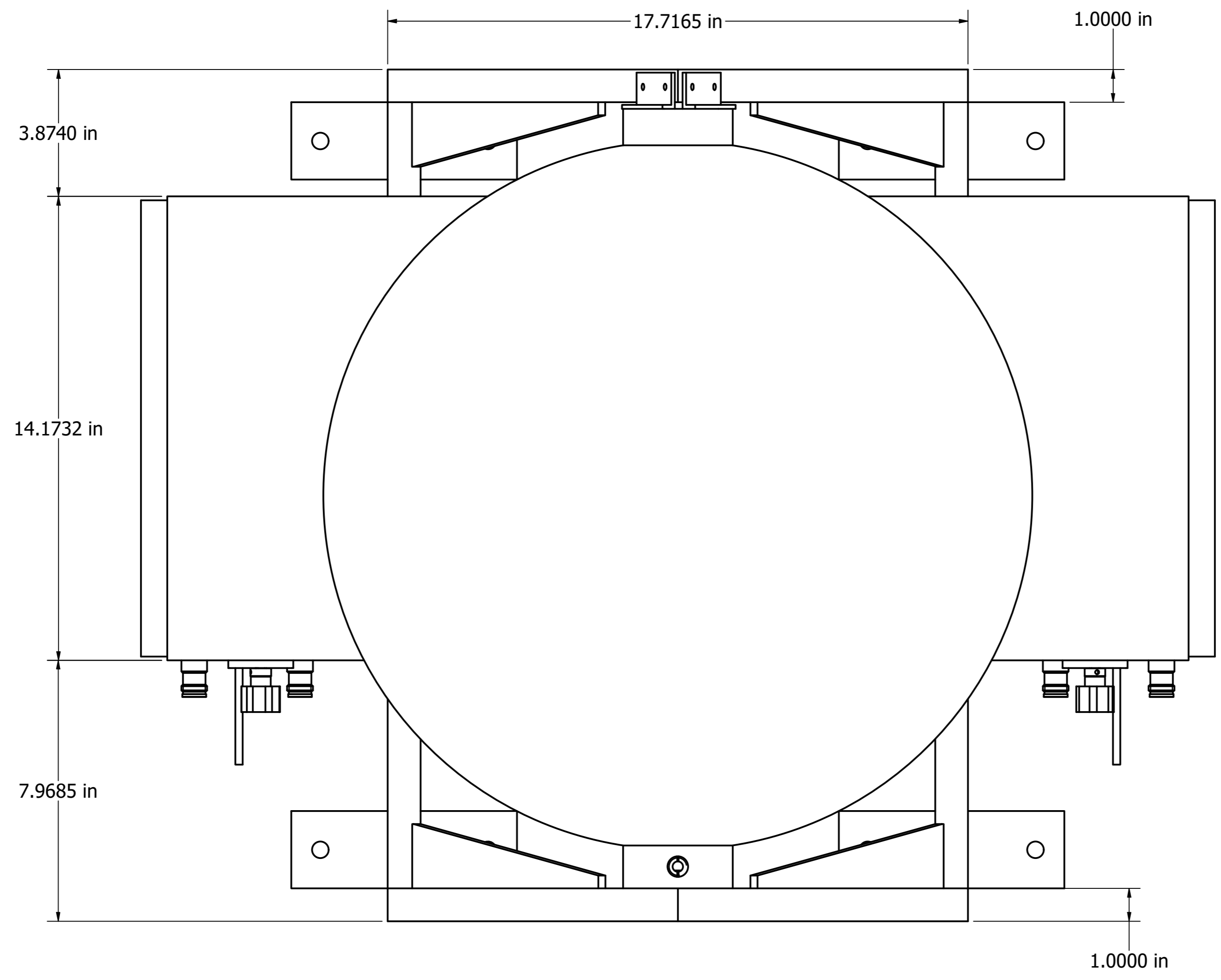
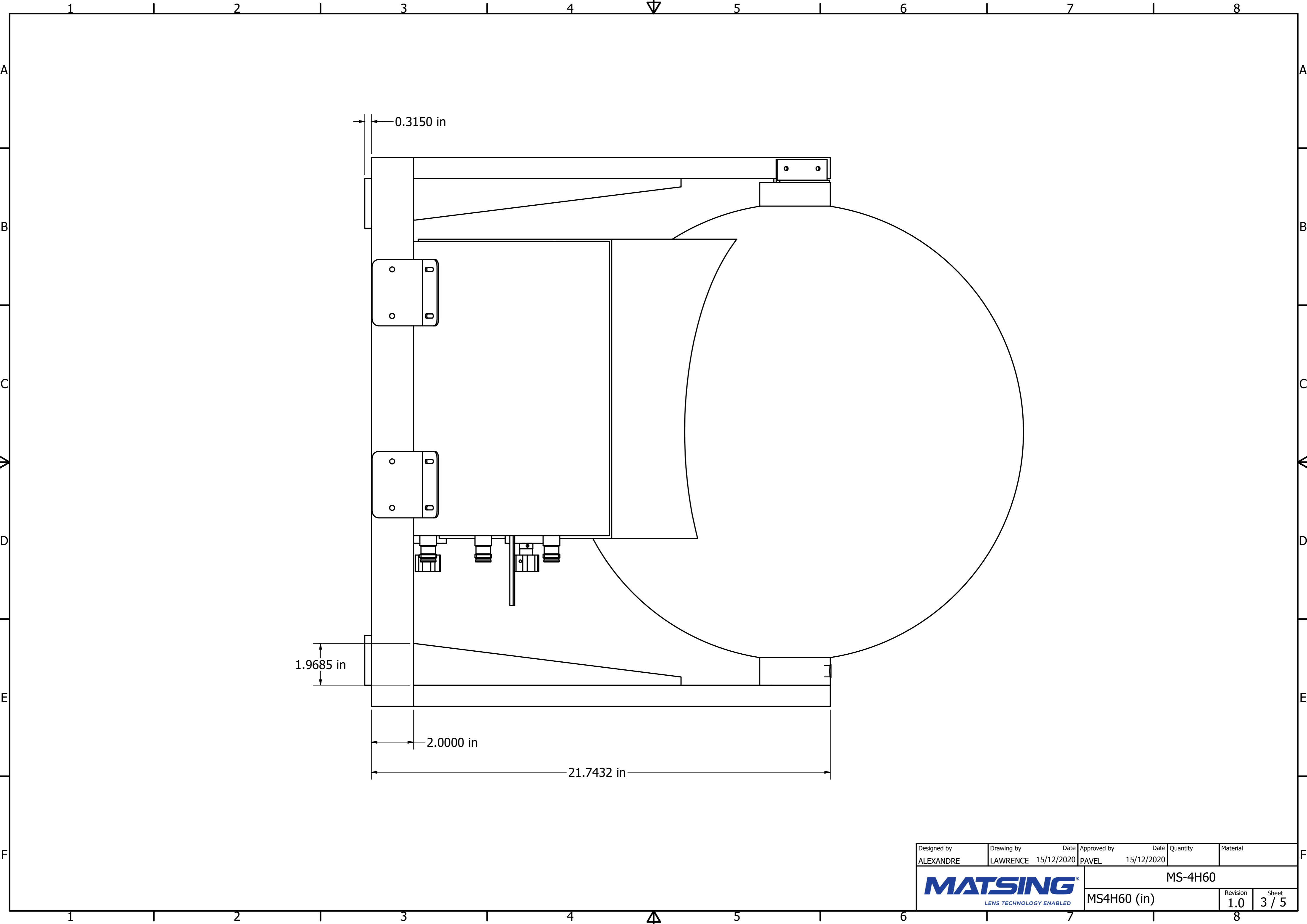



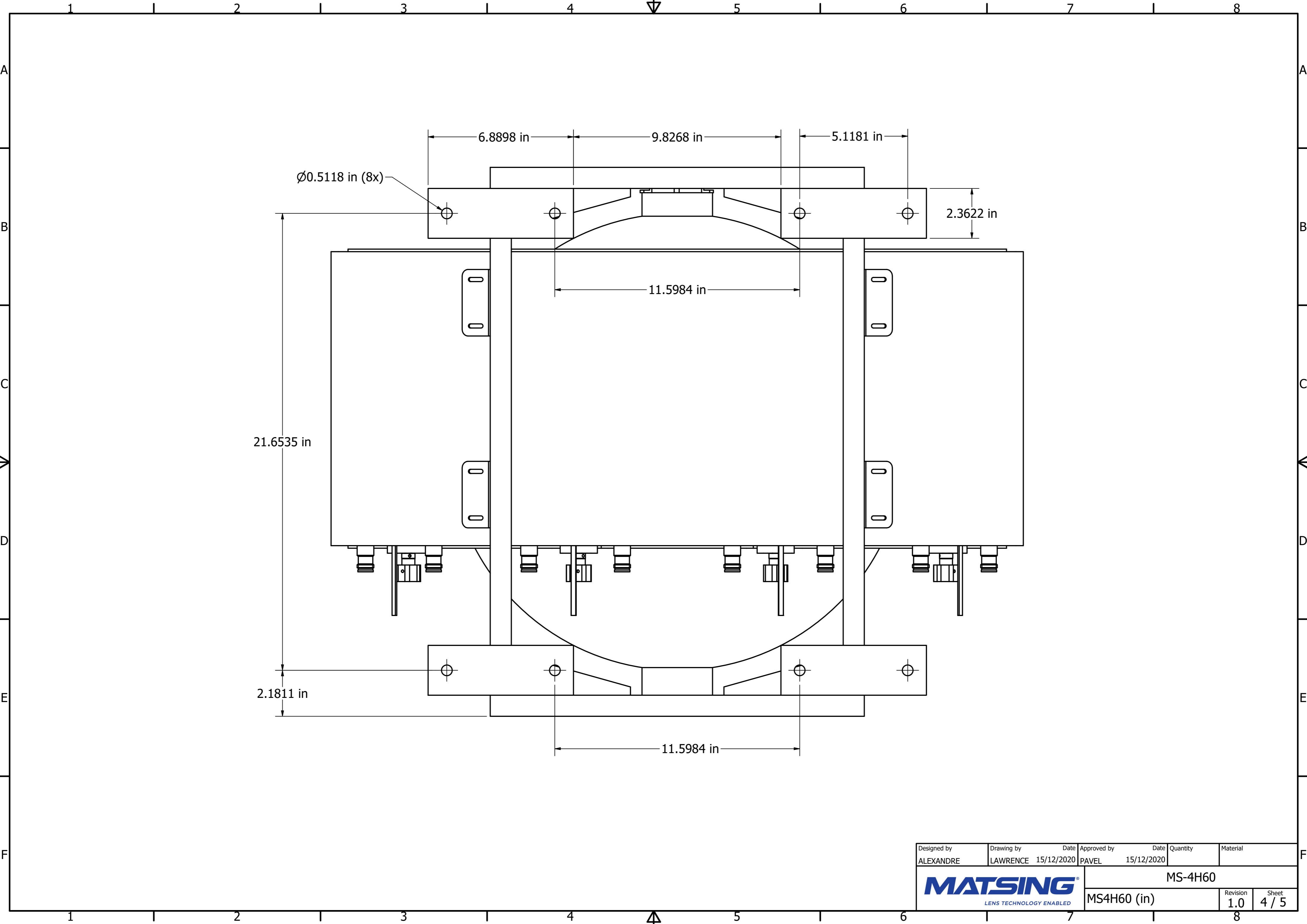
Designed by ALEXANDRE	Drawing by LAWRENCE	Date 15/12/2020	Approved by PAVEL	Date 15/12/2020	Quantity	Material
<b>MATSING</b> LENS TECHNOLOGY ENABLED						MS-4H60
MS4H60 (in)					Revision 1.0	Sheet 1 / 5




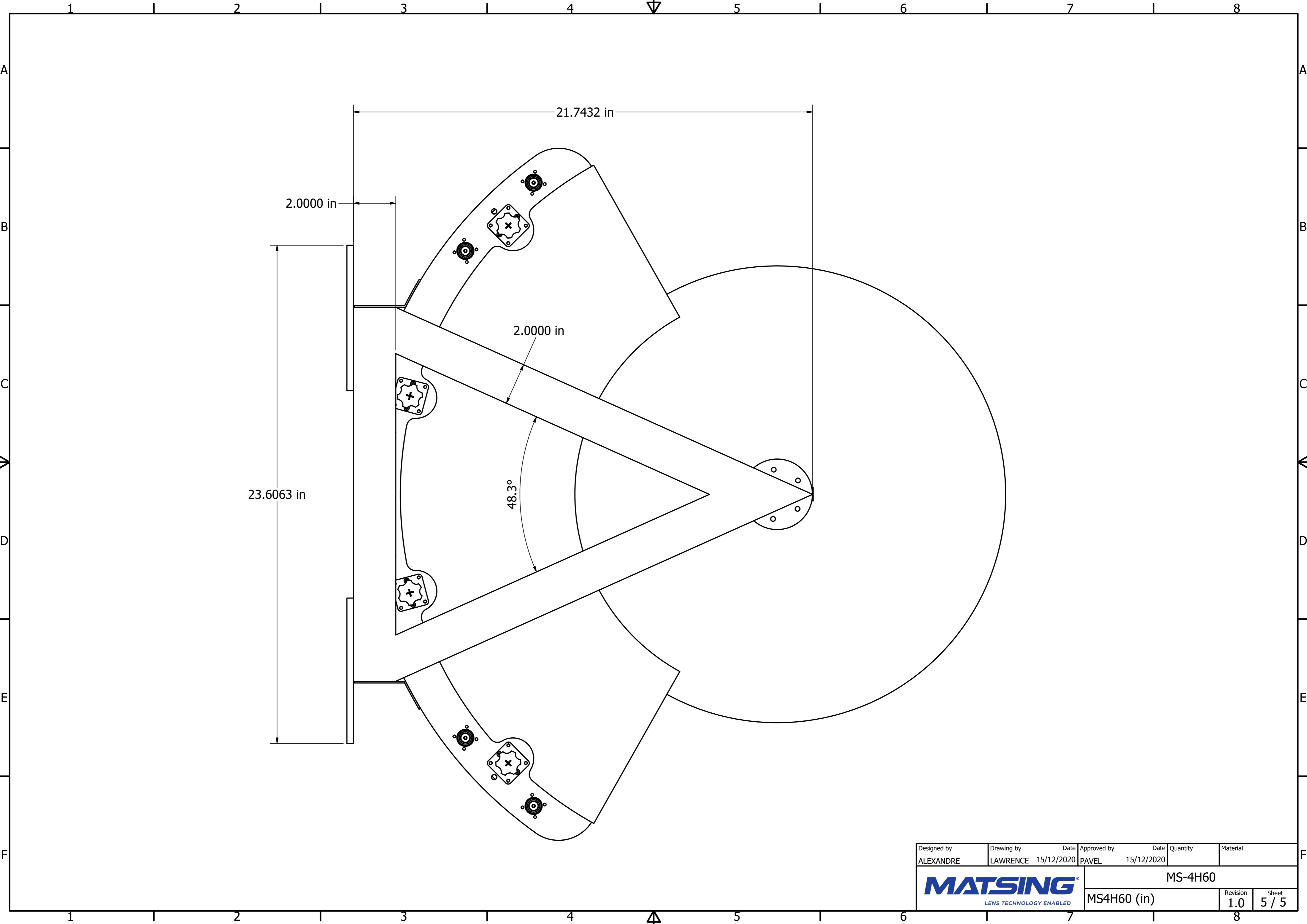
Designed by ALEXANDRE	Drawing by LAWRENCE	Date 15/12/2020	Approved by PAVEL	Date 15/12/2020	Quantity	Material
						MS-4H60
						MS4H60 (in)




Designed by ALEXANDRE	Drawing by LAWRENCE	Date 15/12/2020	Approved by PAVEL	Date 15/12/2020	Quantity	Material
 <b>MATSING</b> <small>LENS TECHNOLOGY ENABLED</small>						MS-4H60
						MS4H60 (in)



Designed by ALEXANDRE	Drawing by LAWRENCE	Date 15/12/2020	Approved by PAVEL	Date 15/12/2020	Quantity	Material
 <b>MATSING</b> <small>LENS TECHNOLOGY ENABLED</small>					MS-4H60	
					MS4H60 (in)	Revision 1.0



Designed by ALEXANDRE	Drawing by LAWRENCE	Date 15/12/2020	Approved by PAVEL	Date 15/12/2020	Quantity	Material
						MS-4H60
						MS4H60 (in)