
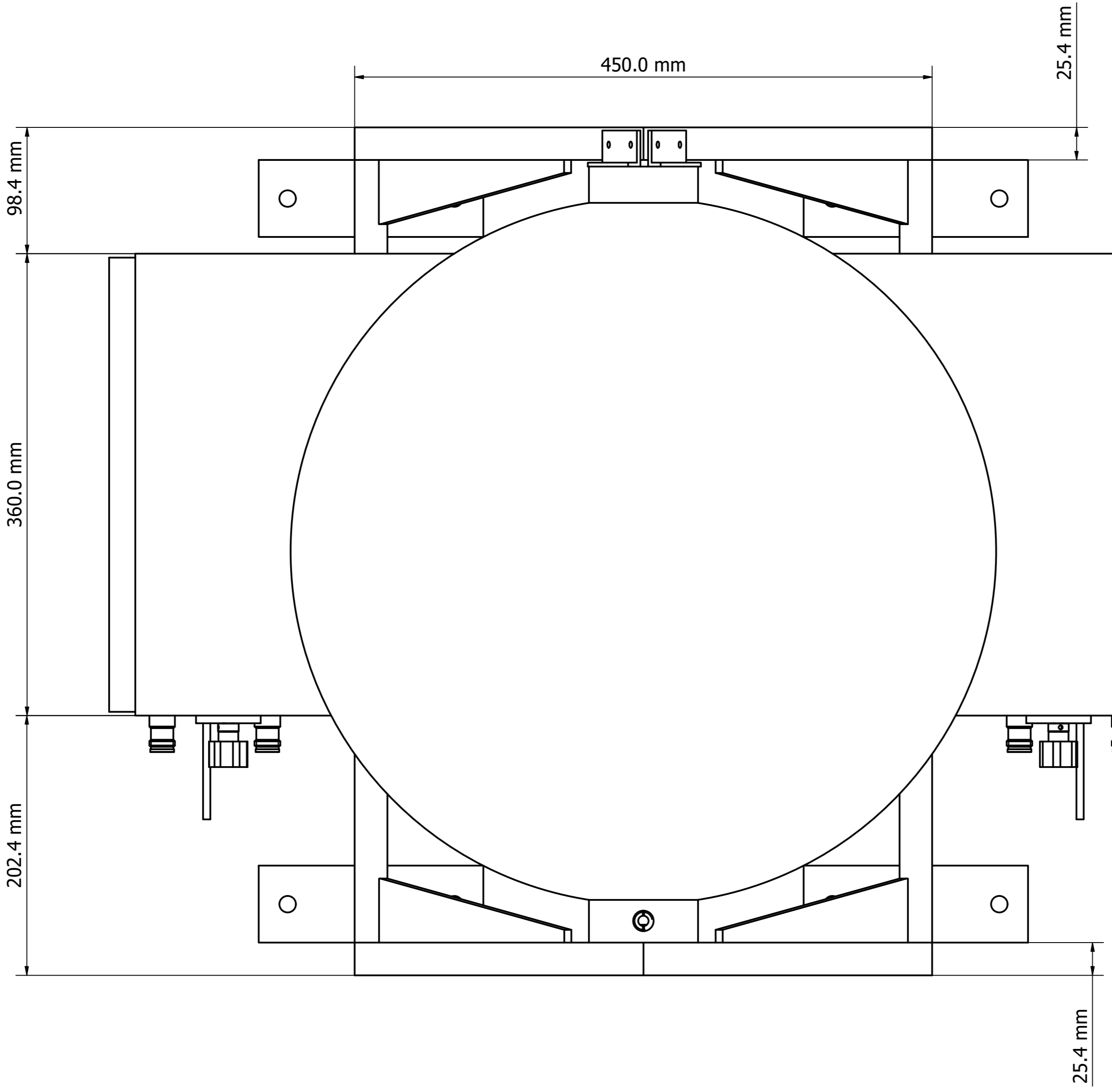

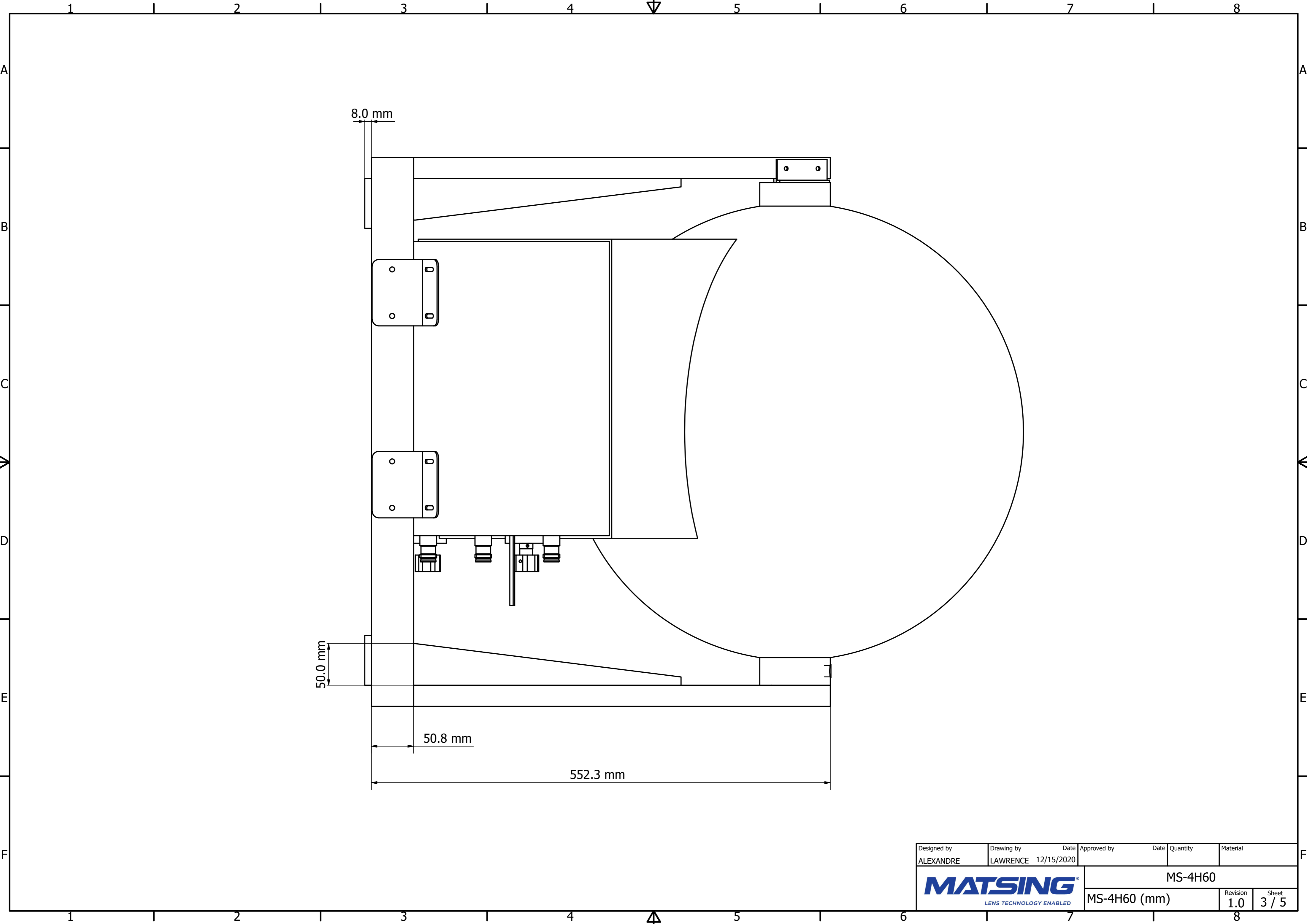



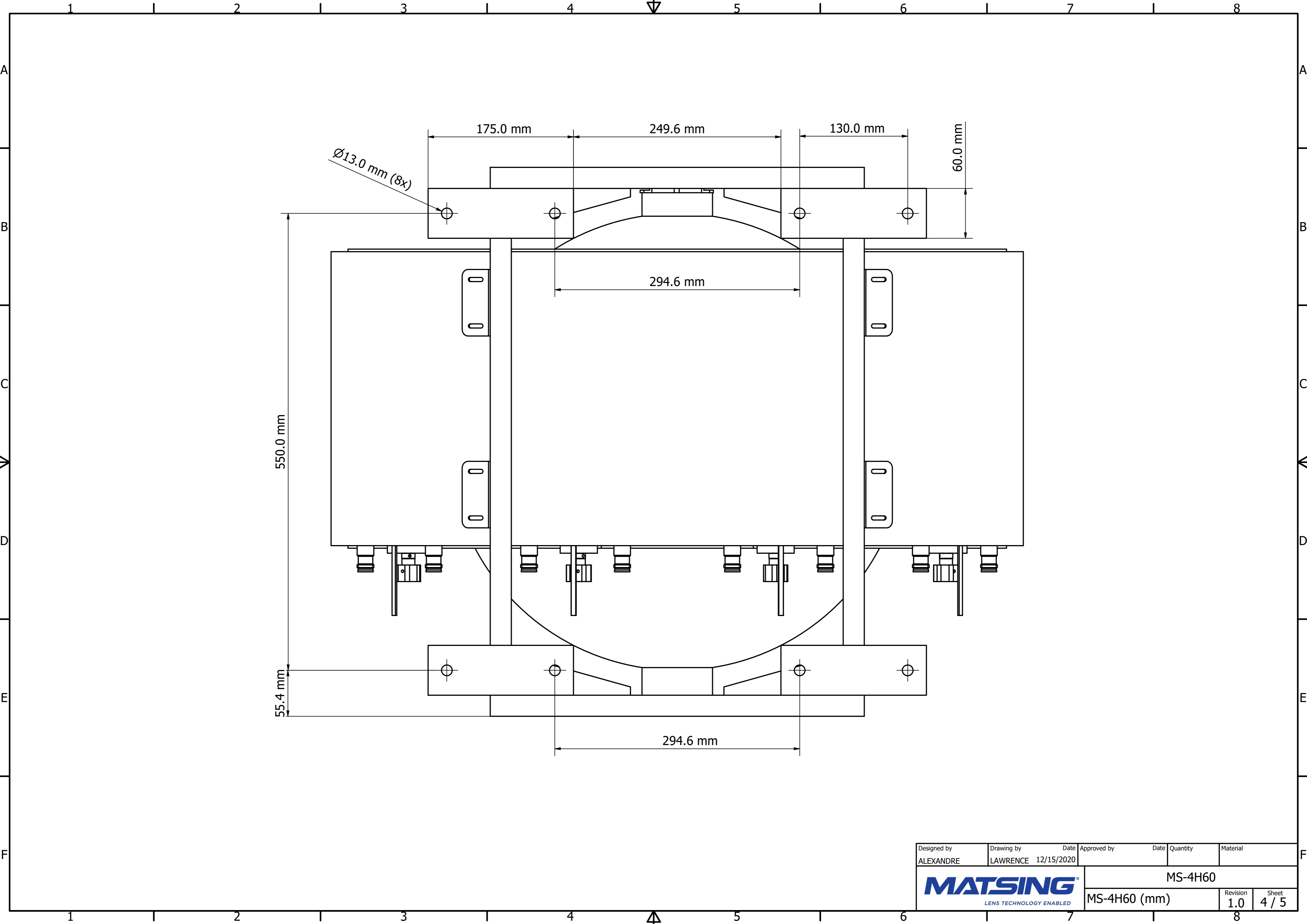
Designed by ALEXANDRE	Drawing by LAWRENCE	Date 12/15/2020	Approved by	Date	Quantity	Material
			MS-4H60			
			MS-4H60 (mm)		Revision 1.0	Sheet 1 / 5




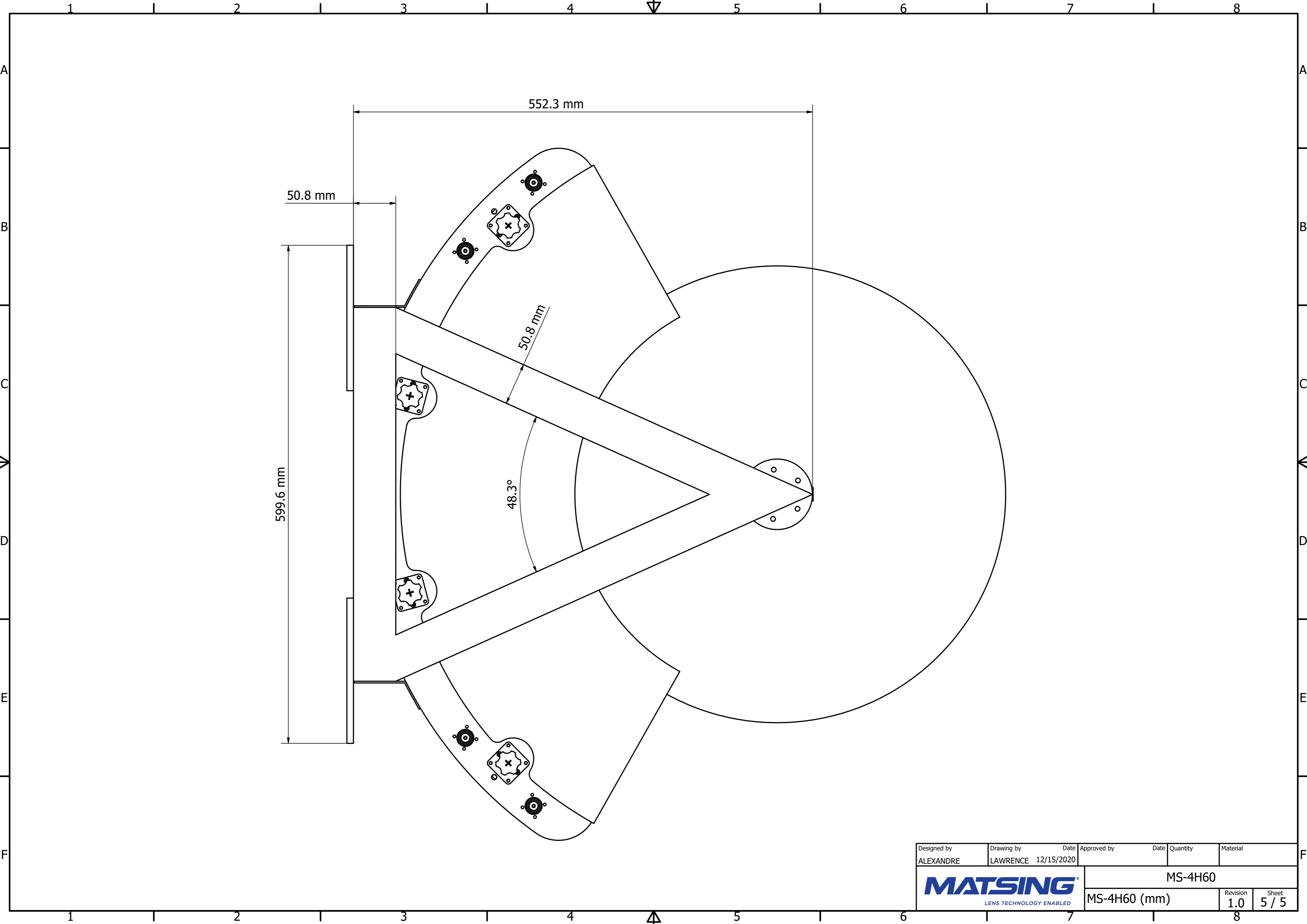
Designed by ALEXANDRE	Drawing by LAWRENCE	Date 12/15/2020	Approved by	Date	Quantity	Material
 MATSING <small>LENS TECHNOLOGY ENABLED</small>			MS-4H60			
			MS-4H60 (mm)			Revision 1.0




Designed by ALEXANDRE	Drawing by LAWRENCE	Date 12/15/2020	Approved by	Date	Quantity	Material
 MATSING <small>LENS TECHNOLOGY ENABLED</small>			MS-4H60			
			MS-4H60 (mm)			Revision 1.0



Designed by ALEXANDRE	Drawing by LAWRENCE	Date 12/15/2020	Approved by	Date	Quantity	Material
 <small>LENS TECHNOLOGY ENABLED</small>			MS-4H60			
			MS-4H60 (mm)			Revision 1.0



Designed by ALEXANDRE	Drawing by LAWRENCE	Date 12/15/2020	Approved by	Date	Quantity	Material
 MATSING <small>LENS TECHNOLOGY ENABLED</small>			MS-4H60			
			MS-4H60 (mm)			Revision 1.0