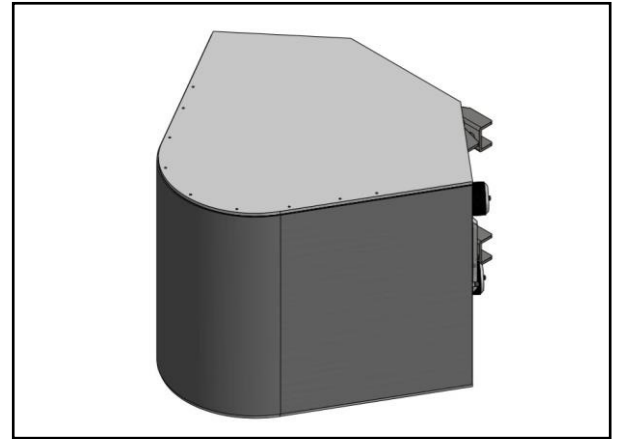


MS-MBA-6-LAA2

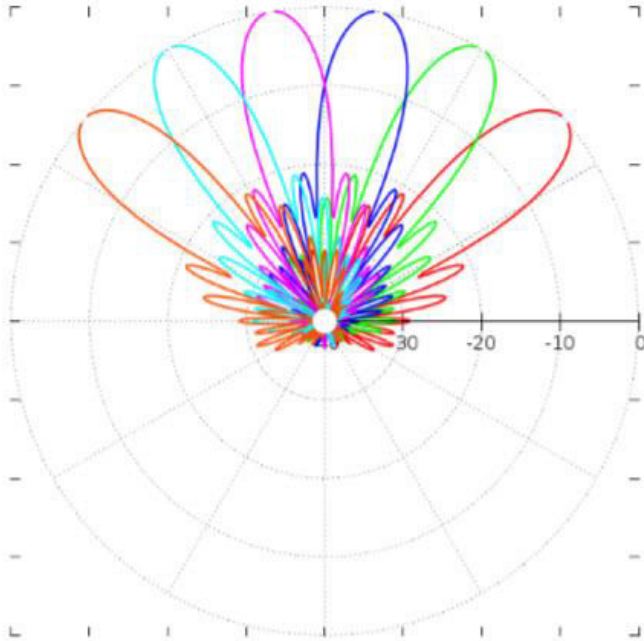
Multi-Beam Spherical Lens Antenna: 6 independent high frequency (5000 - 6000MHz) cross-polarized beams with 0°-15° tilt for each beam and 2X2 MIMO support per beam.

*** Optional Packages:
AISG 2.0 Remote Electrical Tilt**

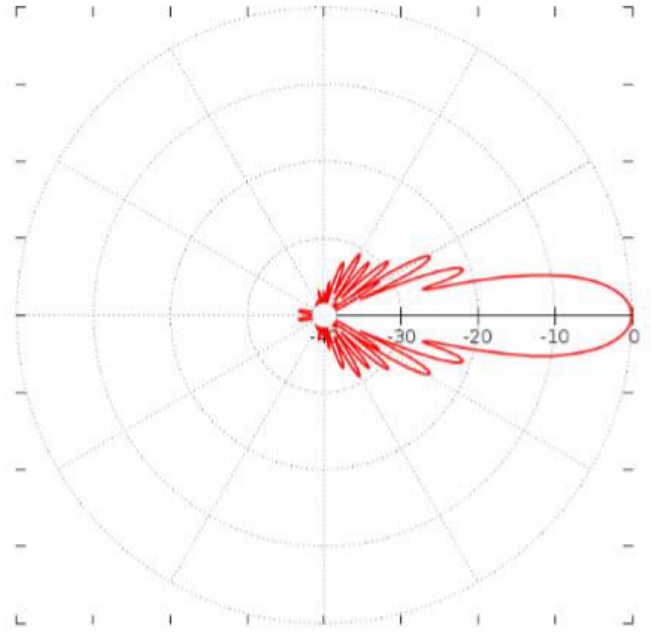


PATTERN RESULTS:

Horizontal Beam Pattern (5.5GHz)



Vertical Pattern at 0° and 30° Tilt (5.5GHz)



TECHNICAL SPECIFICATIONS PER BEAM

Frequency	5000 MHz – 6000 MHz
Gain	6dBi
Return Loss	> 15dB
VSWR	<1.5:1
Polarization	Dual Slant $\pm 45^\circ$
Horizontal Coverage	120°
Horizontal Beamwidth (10dB)	20° \pm 2°
Vertical Beamwidth (10dB)	21°
Beam Cross-over	10 dB typical
Total Number of Beams	6
Number of Ports per Beam	2
Total Number of Ports	12
Manual Adjustable Tilt Per Beam	0°-15°
First Sidelobe level	< -18dB
Front to Back Ratio	>28dB
Isolation Port to Port - Polarization	>28dB
Isolation Port to Port - Beam	>28dB
Power Rating	20W per port
Intermodulation	<-153dBc
Impedance	50 ohm
Connector Quantity and Type	12 x SMA female

MECHANICAL DATA

Dimensions (H x W x D)	40 x 45 x 45 cm 15 x 17 x 17 in
Antenna Weight	15kg 33lb
Radome Material	Fibre Glass
Mounting	2 Position pipe mount Compatible pipe diameter: 6.1 – 11.4 cm 2.4 – 4.5 inch

ENVIRONMENTAL RATINGS

Humidity	95% RH @ +30°C
Temperature	-40°C to +70°C
Wind Load (Lateral)	TBD

CONNECTOR / BEAM LAYOUT:

