

MS-6L180

Multi-Beam Spherical Lens Antenna: 6 independent low frequency (698-960MHz) cross-polarized beams with 0°-15° tilt for each beam and 2X2 MIMO support.

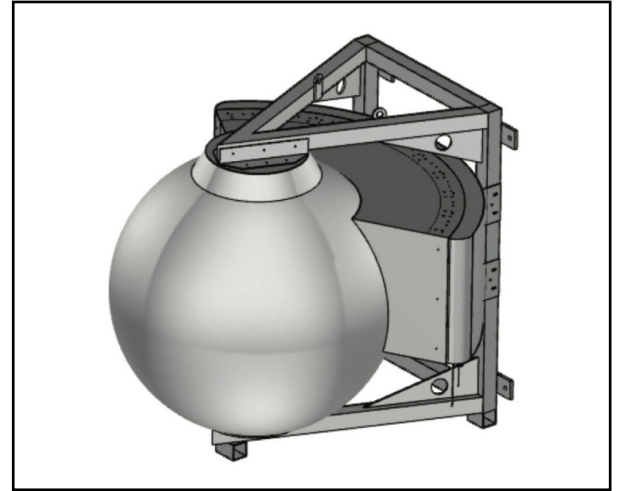
***Optional Packages:**

a) MS-6L180-A-M :

AISG 2.0 Remote Electrical Tilt, multi RET configuration

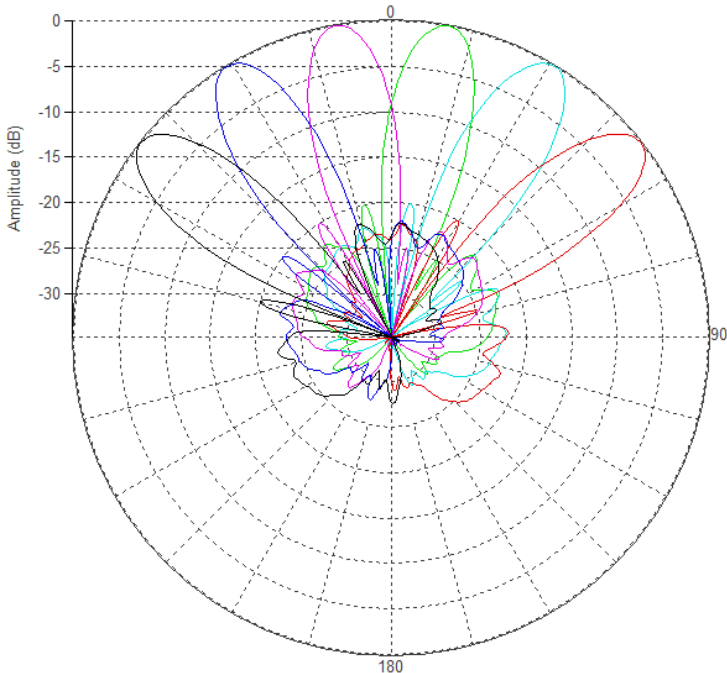
b) MS-6L180-A-S :

AISG 2.0 Remote Electrical Tilt, single RET configuration

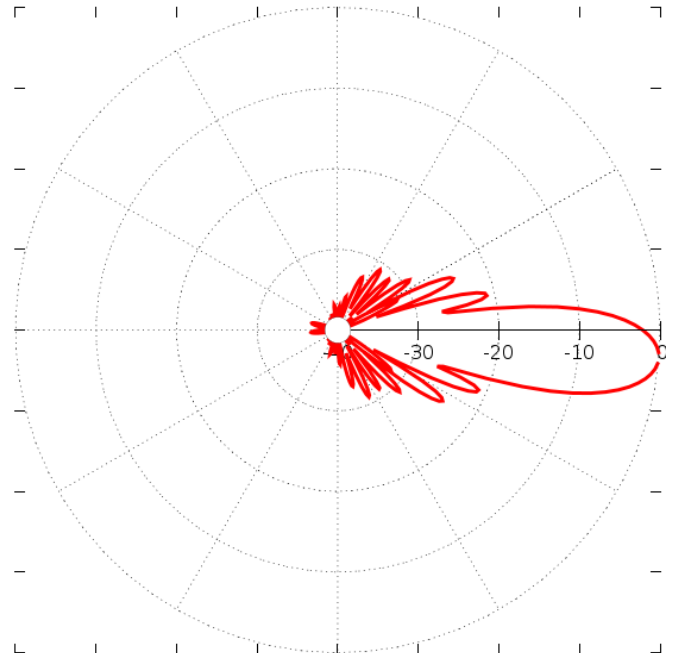


PATTERN RESULTS:

Low-Band Horizontal Pattern (0.85GHz)



Low-Band Vertical Pattern (0.85GHz)



TECHNICAL SPECIFICATIONS PER BEAM

Frequency	698-960 MHz
Gain	20.5dBi
VSWR	<1.5:1
Polarization	Dual Slant ±45°
Horizontal Coverage	120°
Horizontal Beamwidth (10dB level)	20°
Horizontal Beamwidth (3dB level)	12°
Vertical Beamwidth (10dB level)	20°
Vertical Beamwidth (3dB level)	12°
Beam Cross-over	10dB typical
Total Number of Beams	6
Manual Adjustable Tilt per beam	0° to 15°
First Sidelobe level	<-15dB
Front to Back Ratio	>28dB
Isolation Port to Port - Polarization	>28dB
Isolation Port to Port - Beam	>26dB
Power Rating	250W per port
Intermodulation	<-153dBc
Impedance	50 ohm
Connector Quantity and Type	12 x 4.3-10 female

MECHANICAL DATA

Dimensions (H x W x D)	Spherical Lens diameter: 180cm/70inch Antenna dimensions: 182 x 205 x 207 cm 71 x 80 x 81 inch
Antenna Weight	220 kg 485 lbs
Radome Material	Fiber Glass
Mounting	2 position pipe mount Compatible pipe diameter: 6.1 – 11.4 cm 2.4 – 4.5 inch

ENVIRONMENTAL RATINGS

Humidity	95% RH @ +30°C
Temperature	-40°C to +70°C
Wind load (Front)	2316 N @ 160km/hr 520 lbf @ 160km/hr

CONNECTOR LAYOUT:

