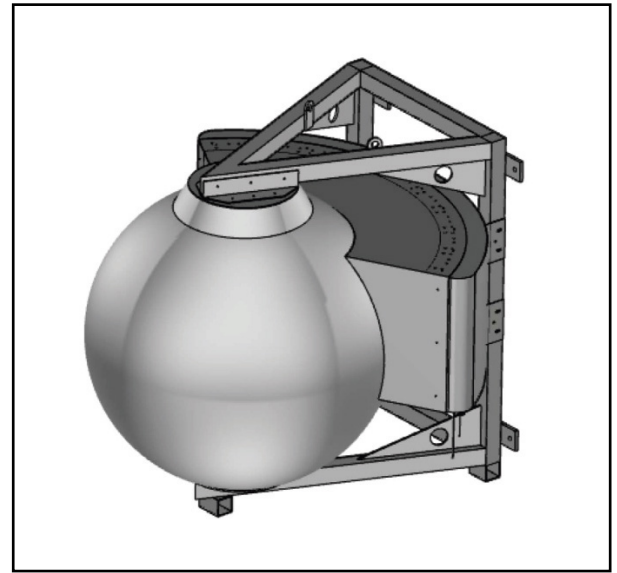


MS-8F60

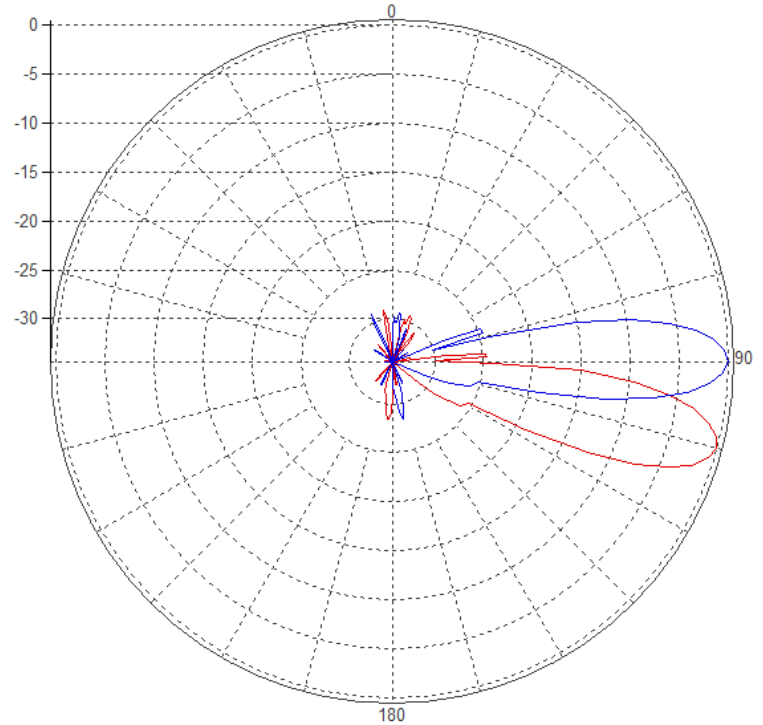
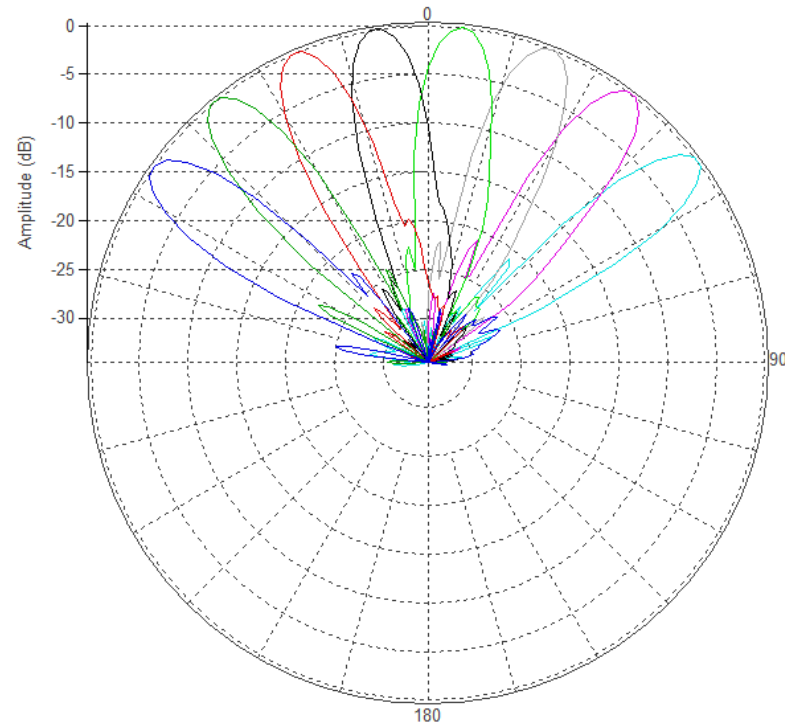
Multi-Beam Spherical Lens Antenna: With eight CBRS frequency (3.3 GHz – 4.2 GHz) cross-polarized beams, each beam has independent tilt from 0° to 15°



PATTERN RESULTS (3.6GHz):

Horizontal Pattern

Vertical Pattern



TECHNICAL SPECIFICATIONS

| | |
|---------------------------------------|--------------------|
| Frequency | 3.3GHz – 4.2GHz |
| Gain | 24dBi |
| VSWR | <1.5:1 |
| Polarization | Dual Slant ±45° |
| Horizontal Coverage | 120° |
| Horizontal Beamwidth (10dB level) | 17° |
| Horizontal Beamwidth (3dB level) | 9.5° |
| Vertical Beamwidth (3dB level) | 10° |
| Beam Cross-over | 6-8 dB typical |
| Total Number of Beams | 8 |
| Adjustable Tilt per beam | 0° to 15° |
| First Sidelobe level | <-18dB |
| Front to Back Ratio | >30dB |
| Isolation Port to Port - Polarization | >28dB |
| Isolation Port to Port - Beam | >28dB |
| Power Rating | 150W per port |
| Intermodulation | <-153dBc |
| Impedance | 50 ohm |
| Connector Quantity and Type | 16 x 4.3-10 female |

MECHANICAL DATA

| | |
|------------------------|--|
| Dimensions (H x W x D) | Spherical Lens diameter: 60cm / 23inch Antenna dimensions: 67 x 84 x 82 cm 26.5 x 33 x 32 inch |
| Antenna Weight | 23kg 50lbs |
| Radome Material | Fiber Glass |
| Mounting | 2 position pipe mount Compatible pipe diameter: 6.1 – 11.4 cm 2.4 – 4.5 inch |

ENVIRONMENTAL RATINGS

| | |
|-------------|----------------|
| Humidity | 95% RH @ +30°C |
| Temperature | -40°C to +70°C |