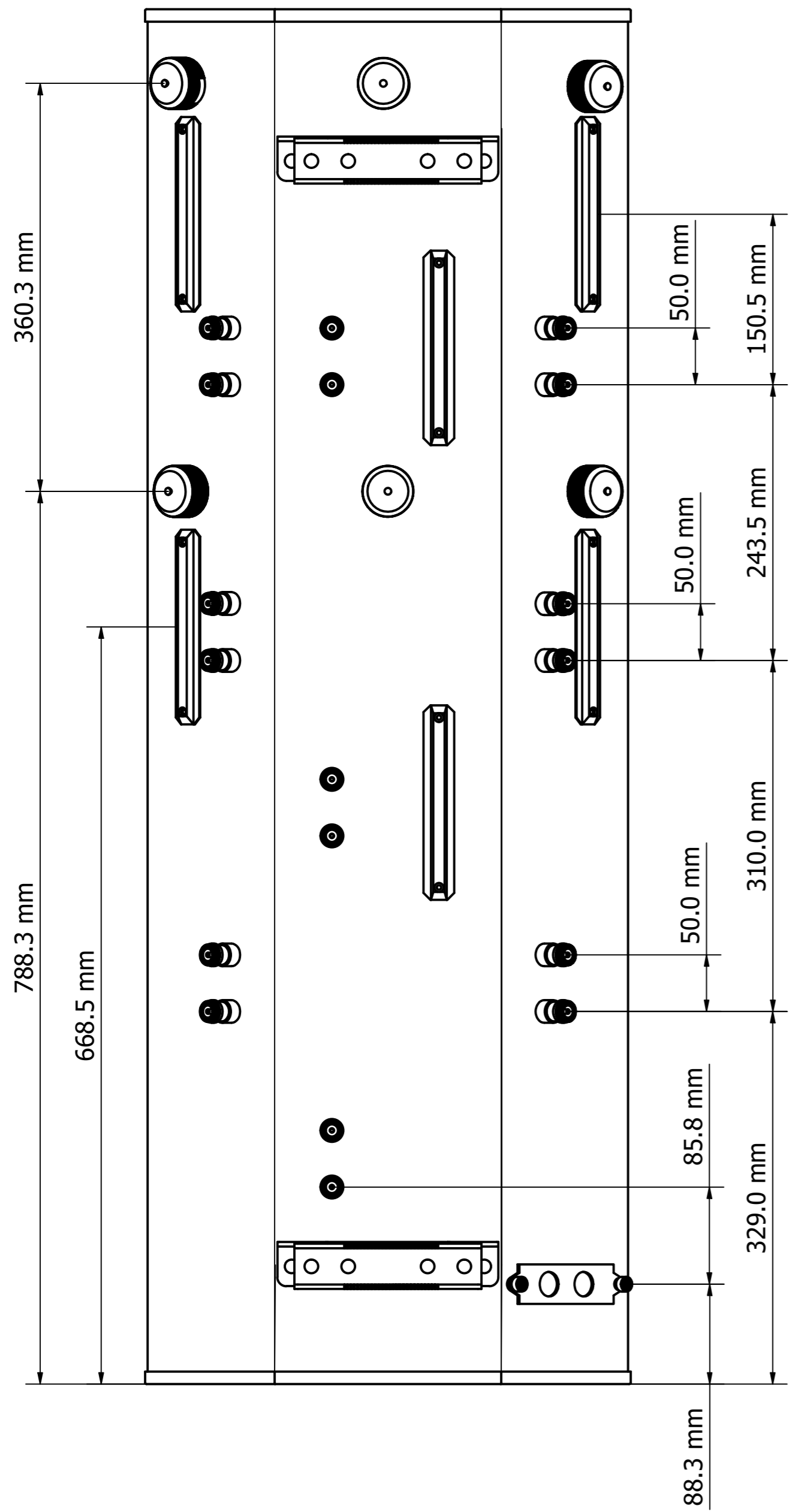
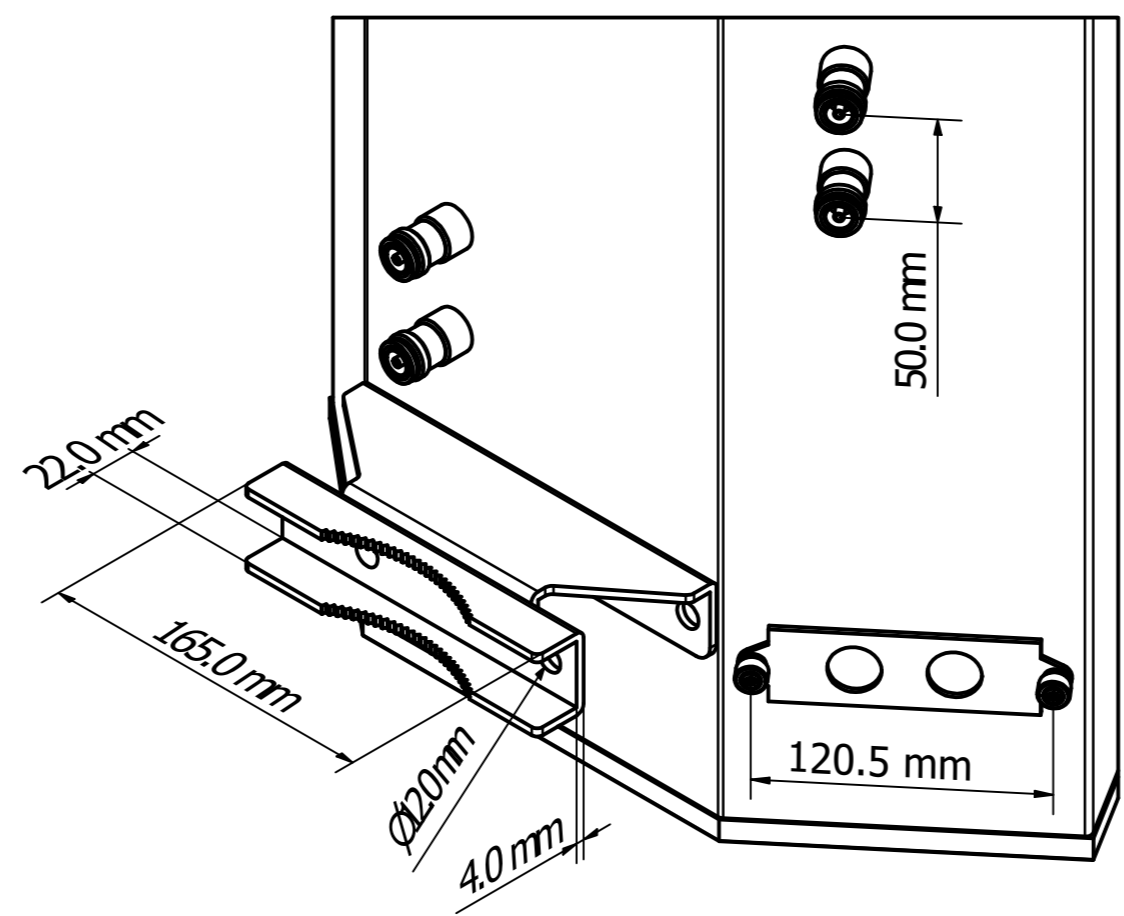
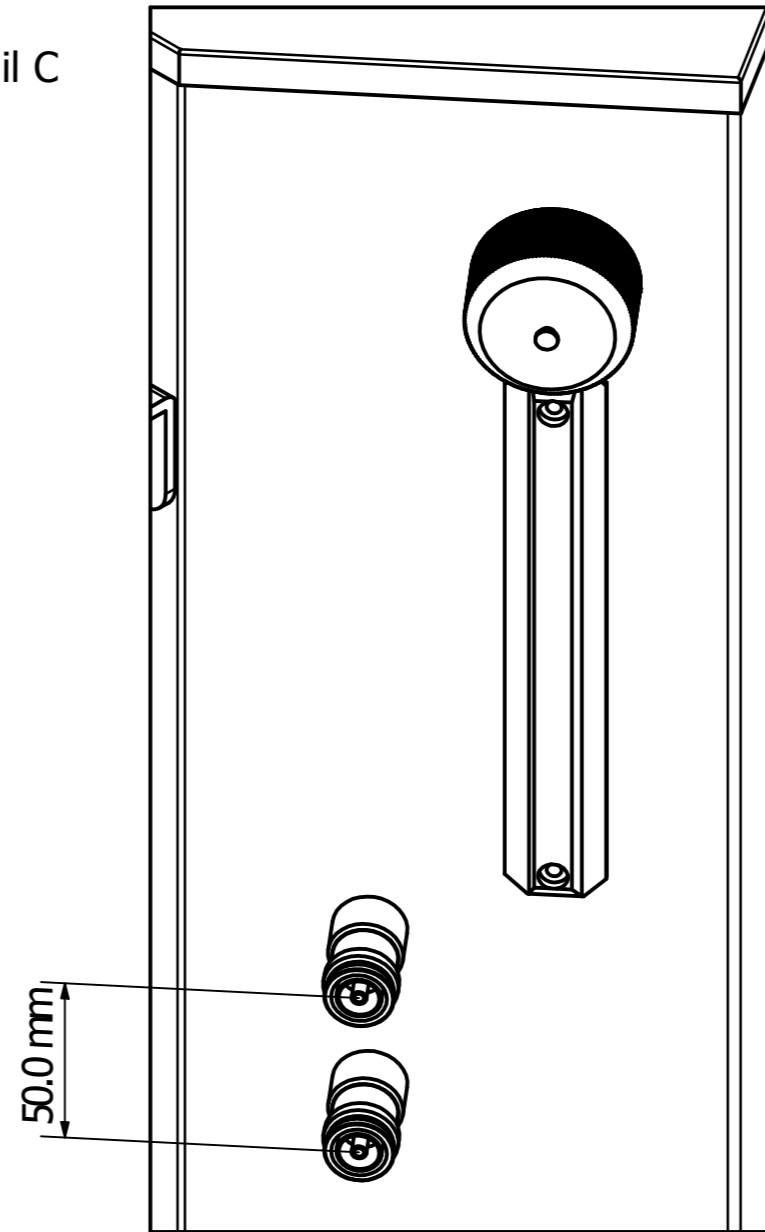


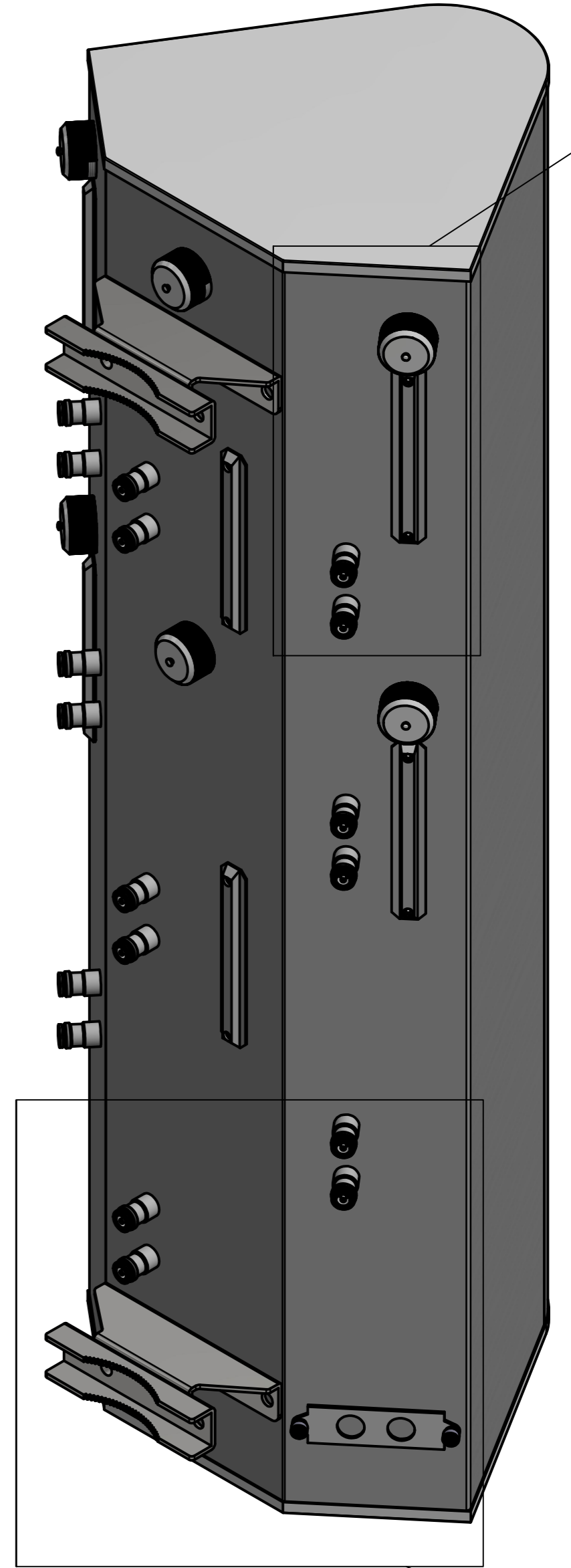
Designed by	Drawing by	Date	Approved by	Date	Quantity	Material
PAVEL	LAWRENCE	28/04/2021	PAVEL	29/04/2021		
MATSING						MS-MBA-3.3-LAA2-C4
LENS TECHNOLOGY ENABLED						MS-MBA-3.3-LAA2-C4 (mm)
					Revision	Sheet
					2.0	1 / 3



Detail C

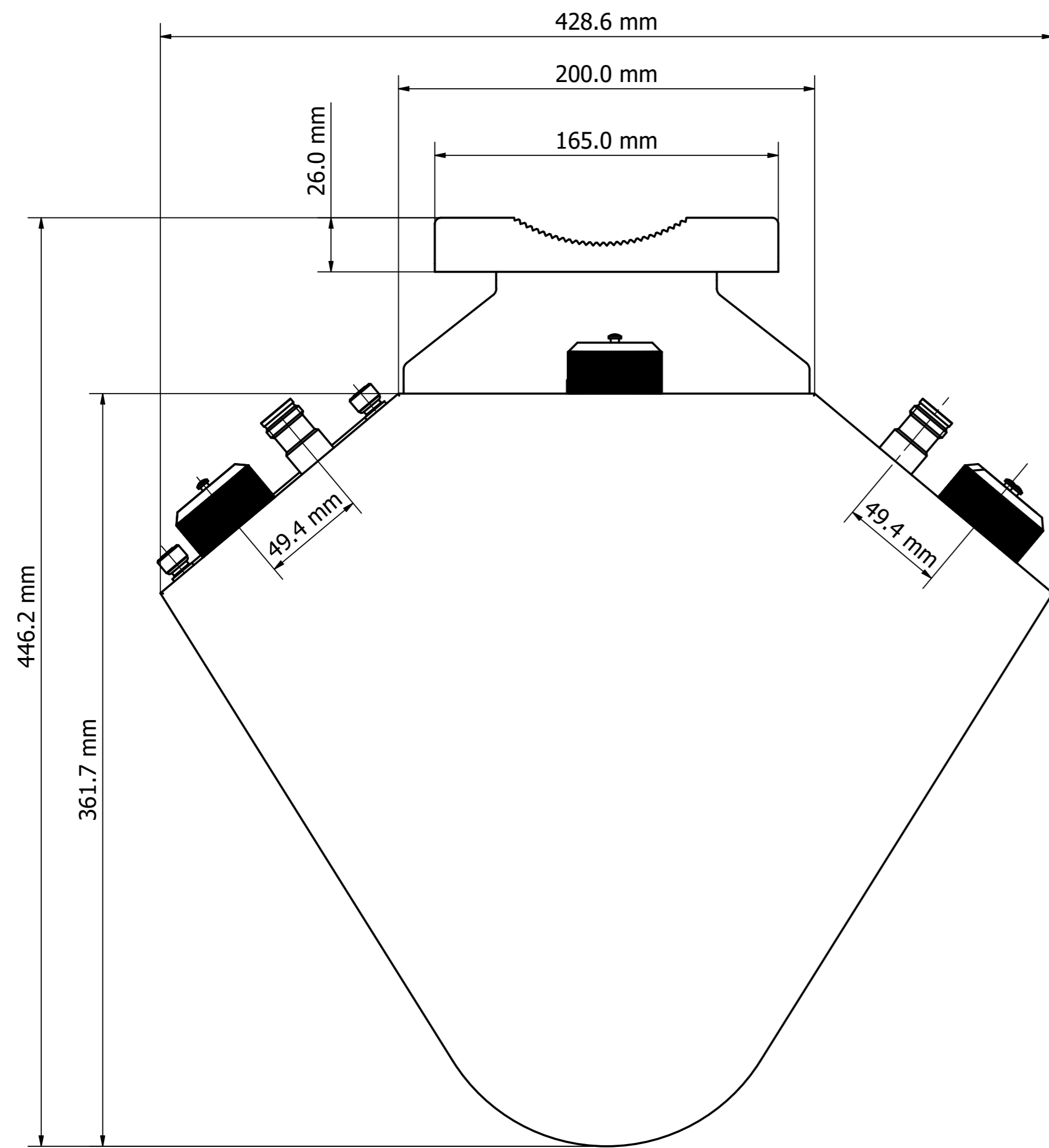


Detail B

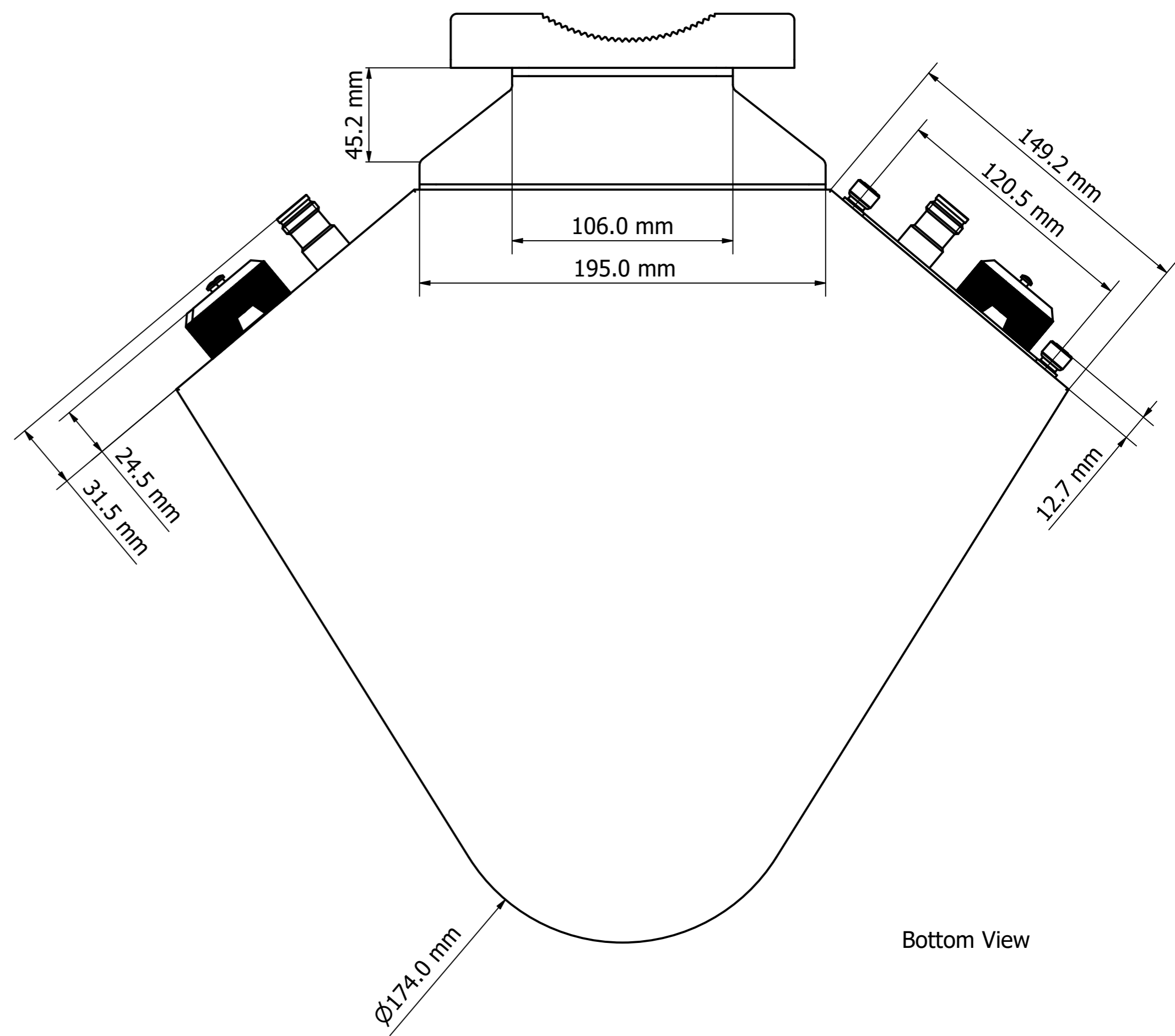


Detail B

Designed by PAVEL	Drawing by LAWRENCE	Date 28/04/2021	Approved by PAVEL	Date 29/04/2021	Quantity	Material	
MATSING LENS TECHNOLOGY ENABLED						MS-MBA-3.3-LAA2-C4	
MS-MBA-3.3-LAA2-C4 (mm)						Revision 2.0	Sheet 2 / 3



Top View



Bottom View

Designed by PAVEL	Drawing by LAWRENCE	Date 28/04/2021	Approved by PAVEL	Date 29/04/2021	Quantity	Material
						MS-MBA-3.3-LAA2-C4
						MS-MBA-3.3-LAA2-C4 (mm)