

Date	Prepared by	Approved by	Document nos	Rev
24 Jun 2021	Ray Ling	Pavel	MBA-3-C4A3-IM-001	0

INSTRUCTION MANUAL MS-MBA-3-C4A3

TABLE OF CONTENTS:

1.00 BEAMS & CONNECTORS:

- 1.10 Plan View Resultant Beam Layout
- 1.20 Connector Ports Table
- 1.30 Connector Detail
- 1.40 Connector Layout

2.00 PATTERN DIAGRAM

- 2.10 Horizontal Pattern
- 2.20 Vertical Pattern

3.00 MANUAL TILT ADJUSTMENT

4.00 BRACKET INSTALLATION

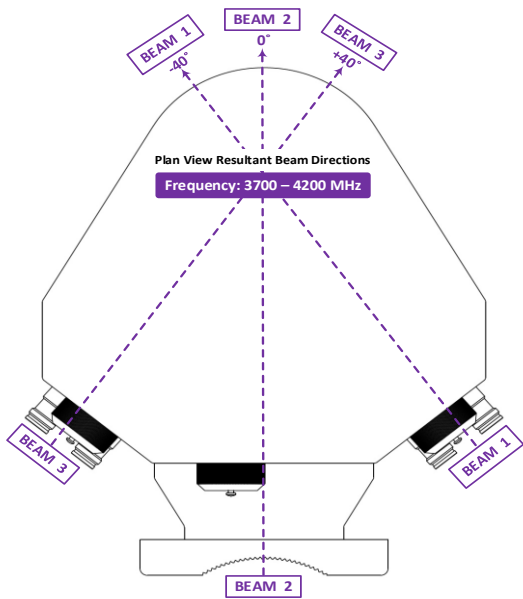
- 4.10 Bolts & Nuts Requirements
- 4.20 Tools Requirement
 - 4.21 Adjustable Spanner
 - 4.22 M12 Spanner
- 4.30 Bracket Spacing & Installation Sample

Revision History:

Date	Description	Revised by	Revision nos.

1.00 BEAMS & CONNECTORS:

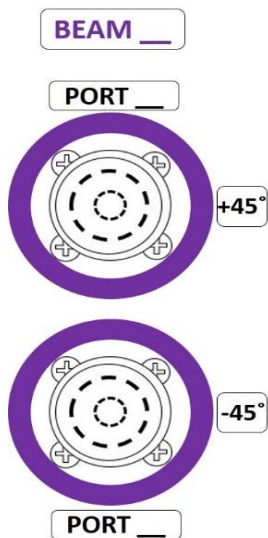
1.10 Plan View Resultant Beam Layout



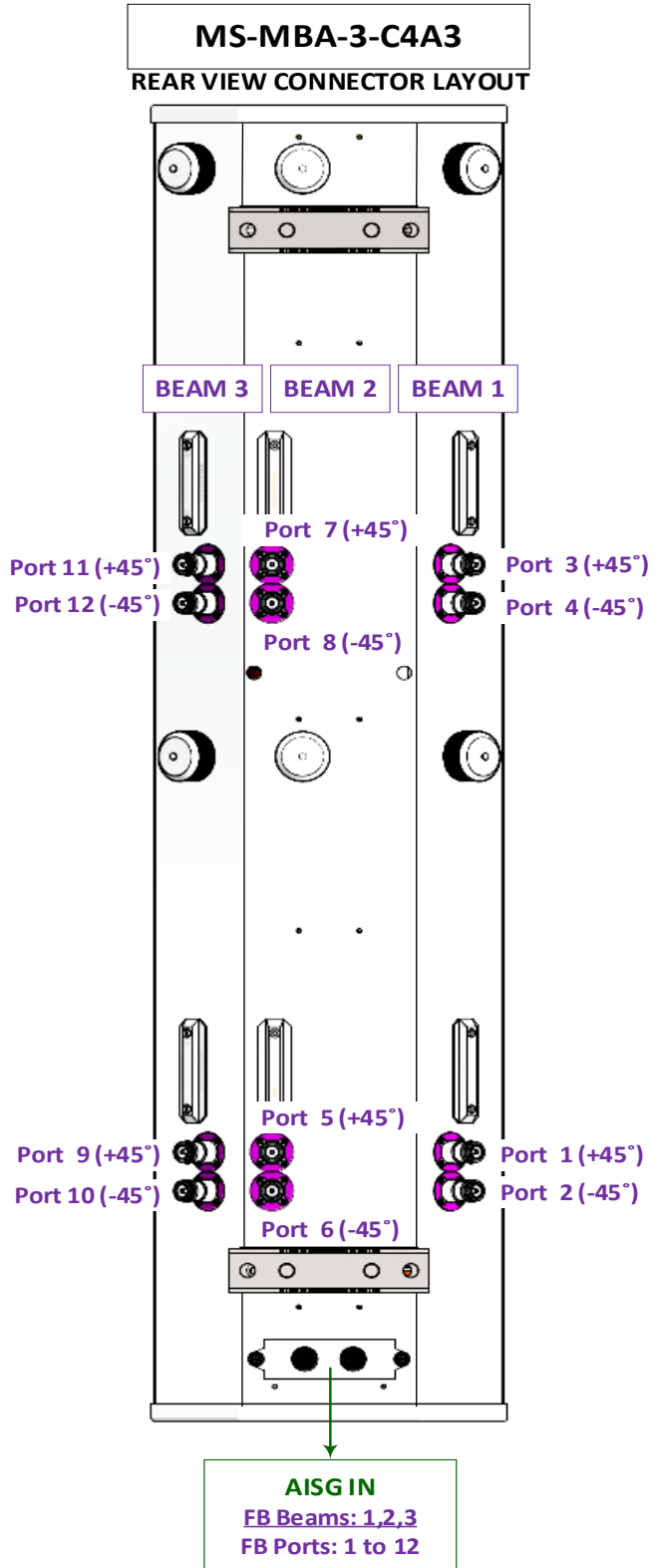
1.20 Connector Ports Table

BEAM 3	BEAM 2	BEAM 1
Port 11 (+45°)	Port 7 (+45°)	Port 3 (+45°)
Port 12 (-45°)	Port 8 (-45°)	Port 4 (-45°)
Port 9 (+45°)	Port 5 (+45°)	Port 1 (+45°)
Port 10 (-45°)	Port 6 (-45°)	Port 2 (-45°)

1.30 Connector Detail

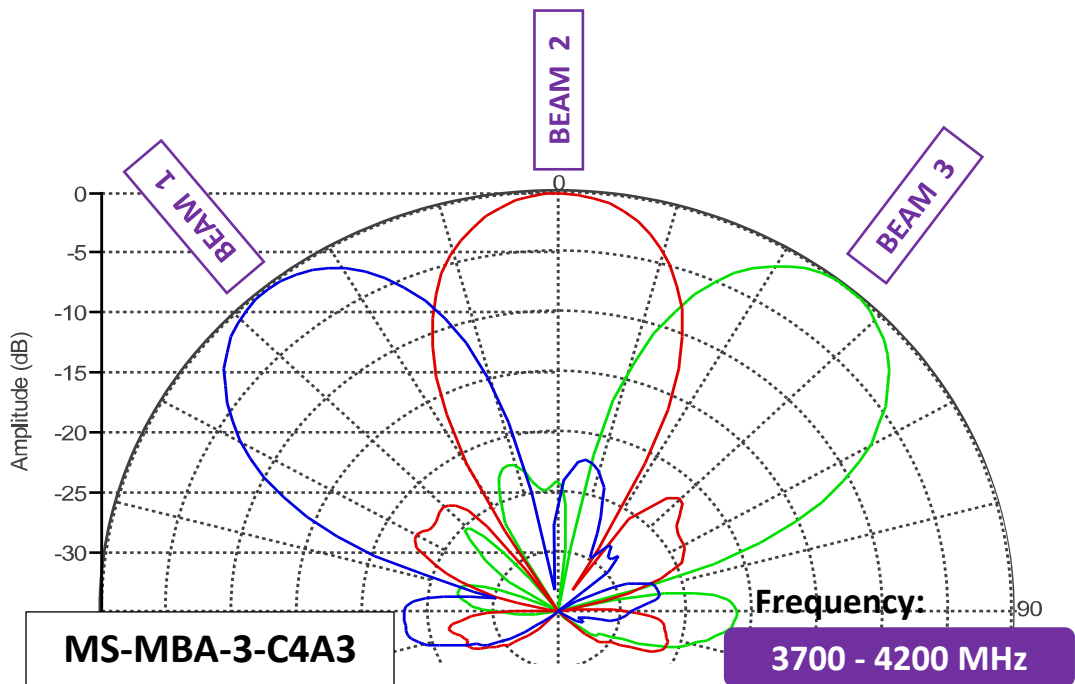


1.40 Connector Layout

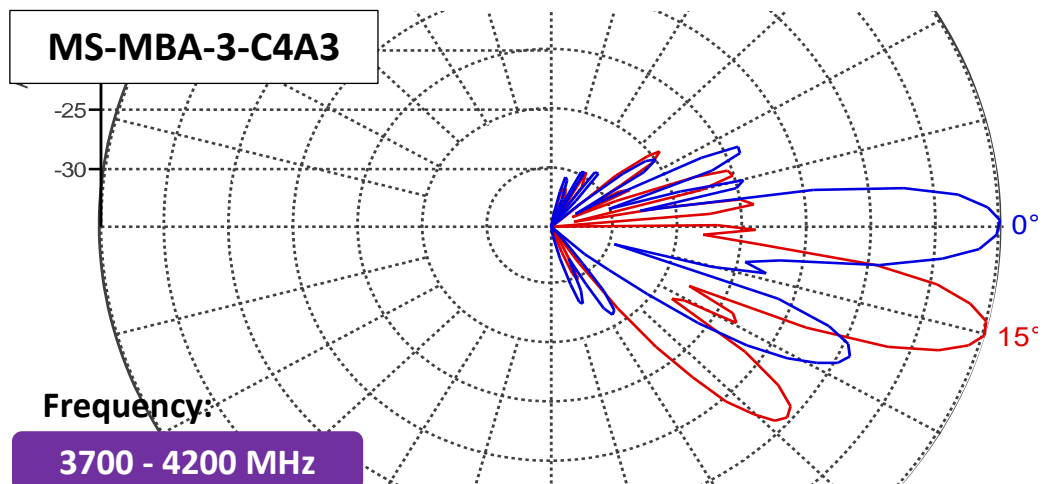


2.00 PATTERN DIAGRAM

2.10 Horizontal Pattern

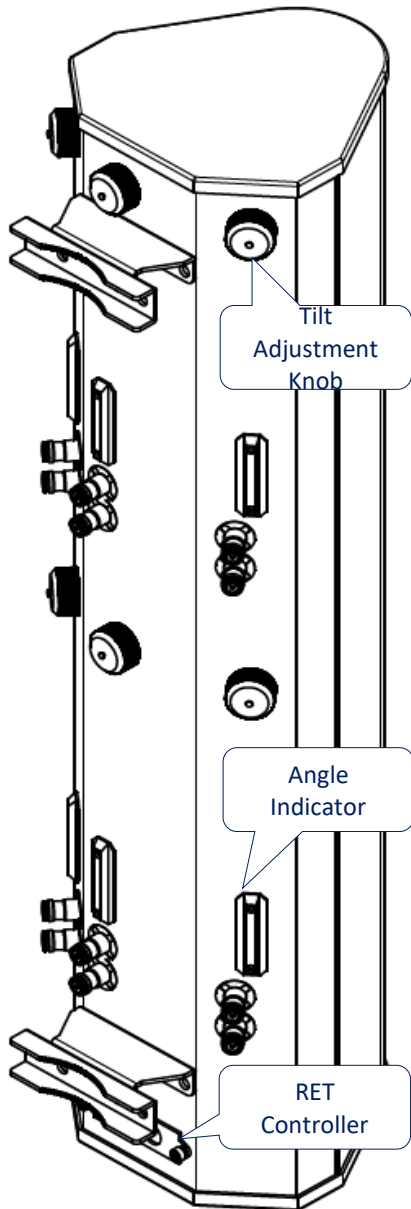


2.20 Vertical Pattern



3.00 MANUAL TILT ADJUSTMENT

1	The MBA antenna come in RET mode as default, but if needed can also be manually adjusted. To do so, please unscrew the waterproof cap behind the element whose tilt is to be adjusted.
2	By Default the knob is on engaged mode, pull out the handle for manual tilt adjustment, turn the handle to change the tilt.
3	When done, push the handle back in, screw the waterproof cap back to the position.



1. Engaged with internal RET motor position



2. Unscrew/ Screw the cap for tilt adjustment process



3. Pull knob out to disengaged RET for tilt adjustment



4.00 BRACKET INSTALLATION

4.10 Bolts & Nuts Requirements

All MBA's Antenna

Bracket Qty	Bolts		Nuts	
	Size	Qty	Size	Qty
2	M12 x 200mm	4	M12	10

4.11 Bolts & Nuts



4.12 Bracket



4.20 Tools Requirement

4.21 Adjustable Spanner



4.22 M12 Spanner



4.30 Bracket Spacing & Installation Sample

