

MATSING[®]

LENS TECHNOLOGY ENABLED

SBA Installation & Alignment General Guide

(Single Beam Antenna - Date: 30 Oct 2024, Revision 0)

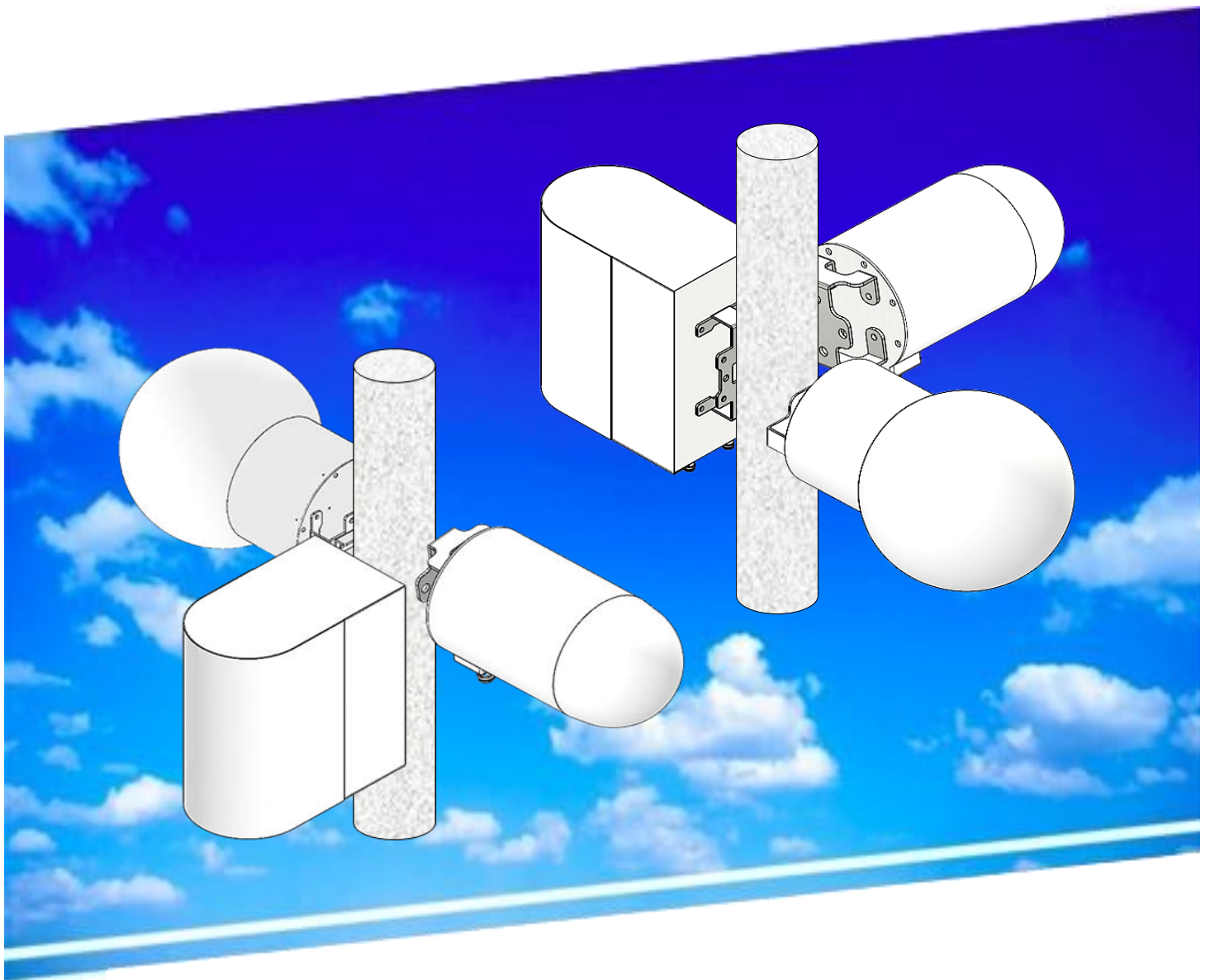


Table of Contents

1.00 Single beam antenna's (SBA) product overview

- 1.10 SBA-34 box series models
- 1.30 SBA-23 series models

- 1.20 SBA-34 series models
- 1.40 SBA-17 series models

2.00 Antenna unpacking

- 2.10 SB-34-F-H unpacking
- 2.20 SB-34,SB-23 and SB-17 series antenna's unpacking

3.00 Antenna installations

- 3.10 Bracket dimensions and installation guide
 - 3.11 Type 1 (*Holes spacing 70mm, size Ø12mm*)
 - 3.12 Example of type 1 mounting guide
 - 3.13 Type 2 (*Holes spacing 80mm, size Ø10mm*)
 - 3.14 Example of type 2 mounting guide

4.00 Antenna stadium laser pointer (SLP)

- 4.10 SLP types and mounting guide (Optional items)
 - 4.11 MS-SBA-SLP-SB23-F
 - 4.12 MS-SBA-SLP-SB23-H
- 4.20 Example of SLP mounting guide (MS-SB23-F)
- 4.21 Sleeve in the SLP bracket with Velcro belt from the front of the installed antenna
- 4.22 Pull and tighten the SLP bracket Velcro belt secure and stick to the antenna body.
- 4.23 Loosen the bracket screw and tilt the antenna to the target direction with a laser pointer.
- 4.24 Once position set, tighten back the screw, loosen the SLP Velcro belt, and remove it from the antenna.



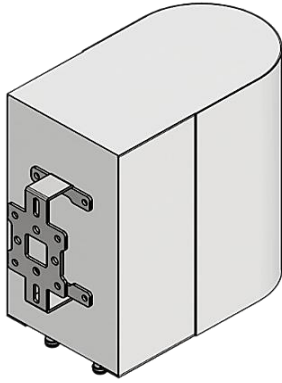
Revision History:

<u>Date</u>	<u>Description</u>	<u>Rev By</u>	<u>Check By</u>	<u>Rev no</u>
30-Oct-2024	Initial Release	RL	Pavel	0

1.00 Single beam antenna's (SBA) product overview

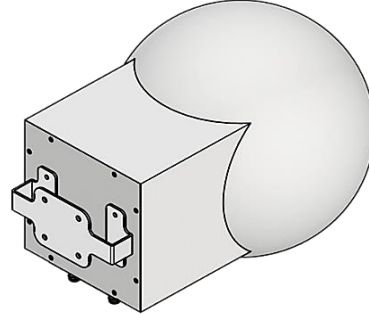
1.10 SBA-34 box series models

no.	Model	Dimensions (cm)			Weight (kg)
		Height	Width	Depth	
1	MS-SB34-F-H	40.6	21.4	41.8	6.02



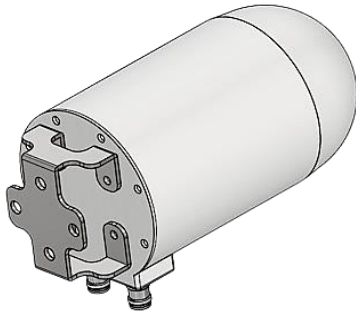
1.20 SBA-34 series models

no.	Model	Dimensions (cm)			Weight (kg)
		Height	Width	Depth	
1	MS-SB34-L	45.0	45.0	64.9	6.62
2	MS-SB34-T	45.0	45.0	64.9	6.62
3	MS-SB34-H	21.2	20.0	41.4	2.20
4	MS-SB34-F	14.4	12.0	28.5	1.06



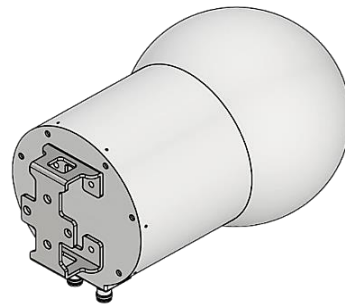
1.30 SBA-23 series models

no.	Model	Dimensions (cm)			Weight (kg)
		Height	Width	Depth	
1	MS-SB23-H	37.0	37.0	55.0	6.78
2	MS-SB23-F	19.2	16.0	34.0	2.86
3	MS-SB23-C	19.2	16.0	34.0	2.86
4	MS-SB23-LAA	14.8	12.0	27.8	0.88



1.40 SBA-17 series models

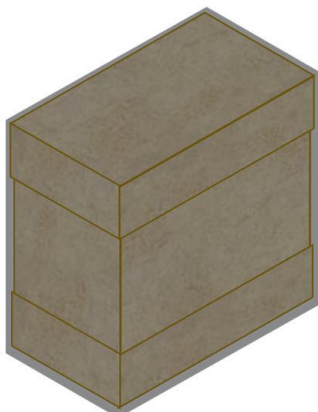
no.	Model	Dimensions (cm)			Weight (kg)
		Height	Width	Depth	
1	MS-SB17-H	45.0	45.0	63.0	9.94
2	MS-SB17-F	27.9	27.6	46.1	3.50
3	MS-SB17-C	27.9	27.6	46.1	3.50



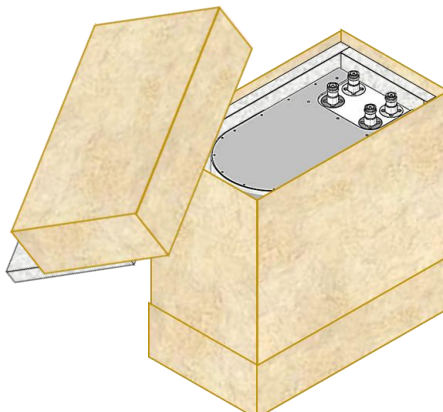
2.00 Antenna unpacking

2.10 SB-34-F-H unpacking

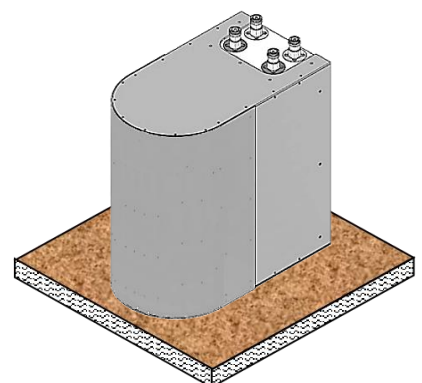
Unwrapping the shrink wrap



Remove the top cover and sponge



Antenna ready

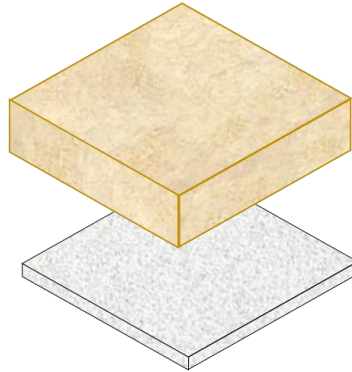


2.20 SB-34,SB-23 and SB-17 series antenna's unpacking

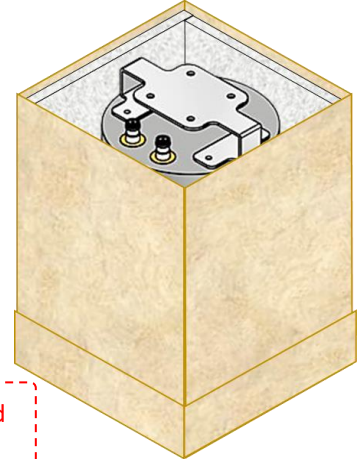
Unwrapping the shrink wrap



Remove the top cover and sponge



Antenna ready



Note: Antennas can remain inside the box and act as the holder for transport.

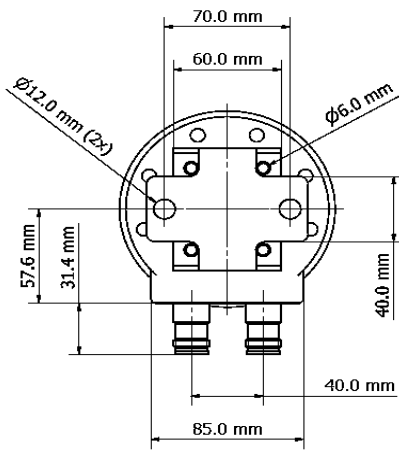
3.00 Antenna installations

3.10 Bracket dimensions and installation guide

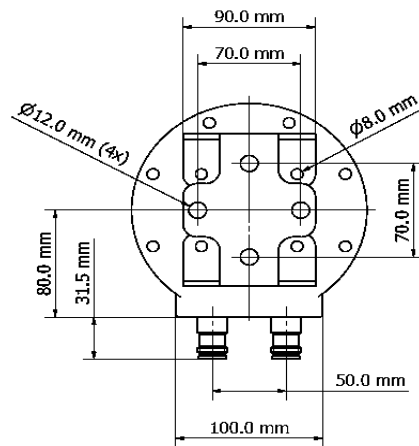
3.11 Type 1 (Holes spacing 70mm, size $\varnothing 12\text{mm}$)

SB23-LAA / SB34-F

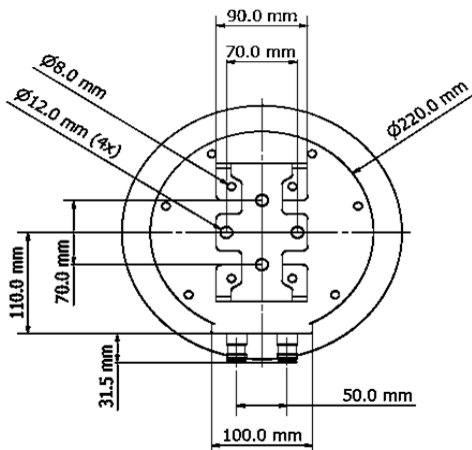
(2 spacing holes)



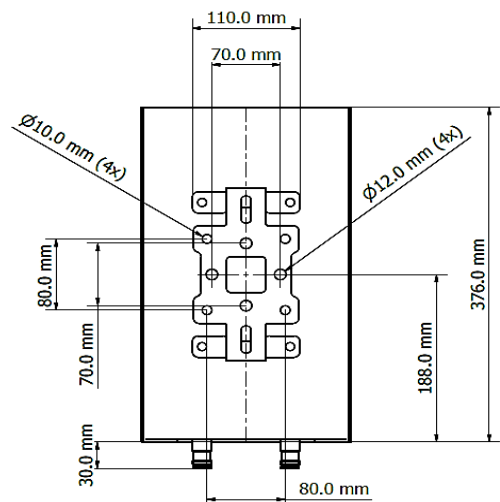
SB23-F / SB23-C / SB34-H



SB17-F / SB17-C

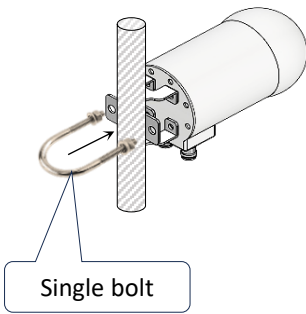


SB34-F-H

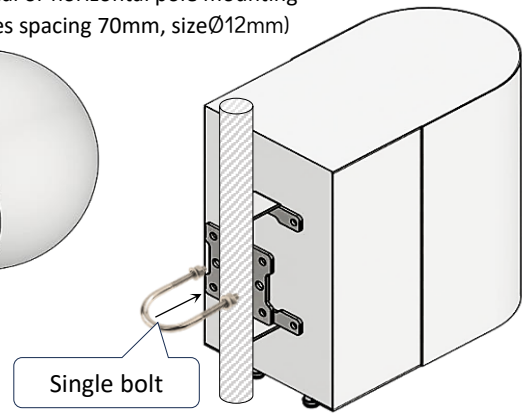
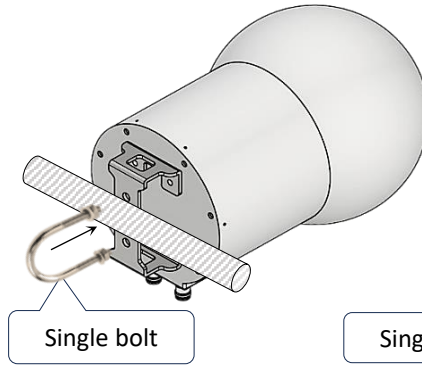


3.12 Example of type 1 mounting guide

Vertical pole mounting
(Holes spacing 70mm, size $\phi 12\text{mm}$)



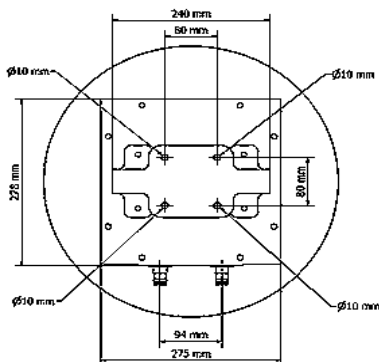
Vertical or horizontal pole mounting
(Holes spacing 70mm, size $\phi 12\text{mm}$)



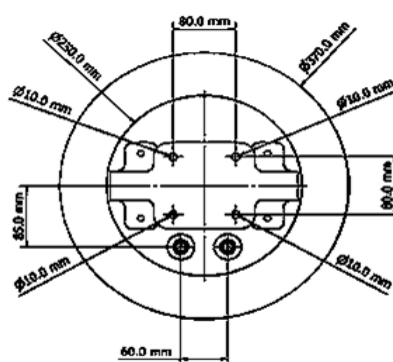
Important Notes: The user is required to custom-make the securing bracket for mounting the antenna to the planned location and pointing direction.

3.13 Type 2 (Holes spacing 80mm, size $\phi 10\text{mm}$)

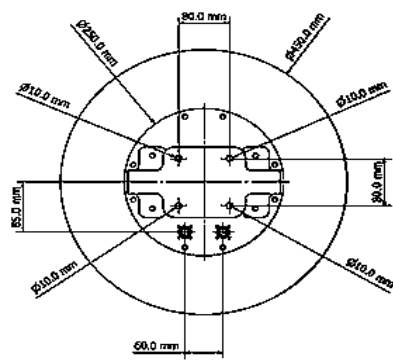
SB34-L / SB34-T



SB23-H

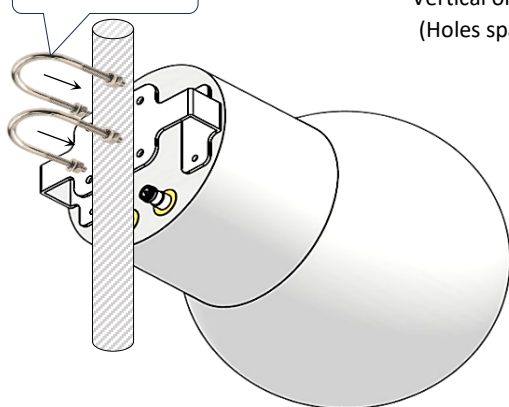


SB17-H

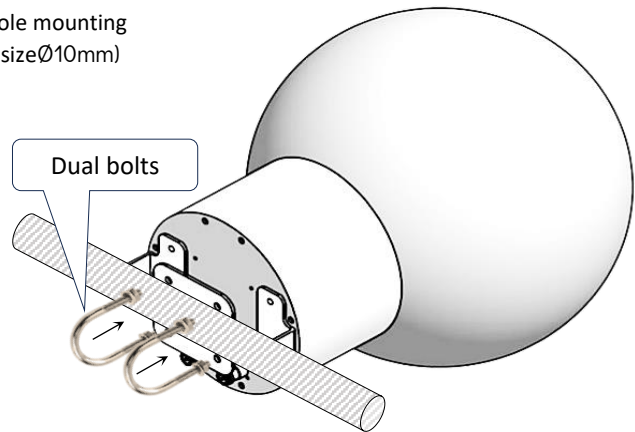


3.14 Example of type 2 mounting guide

Dual bolts



Vertical or horizontal pole mounting
(Holes spacing 80mm, size $\phi 10\text{mm}$)



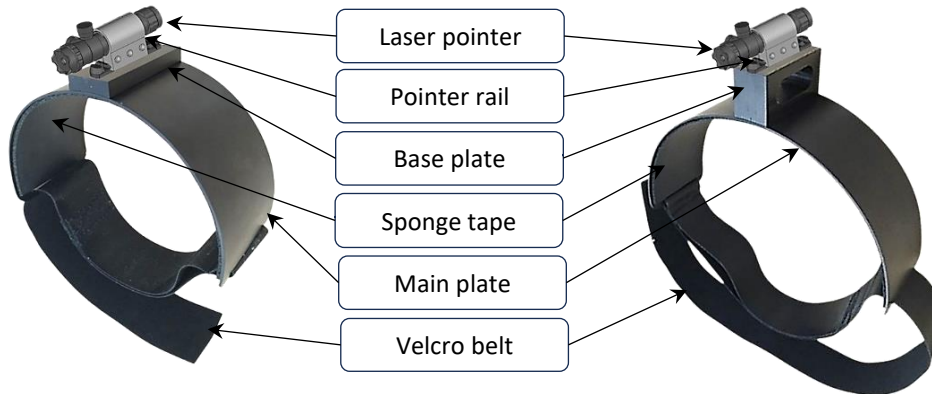
Important Notes: The user is required to custom-make the securing bracket for mounting the antenna to the planned location and pointing direction.

4.00 Antenna stadium laser pointer (SLP)

4.10 SLP types and mounting guide (Optional items)

4.11 MS-SBA-SLP-SB23-F

4.12 MS-SBA-SLP-SB23-H



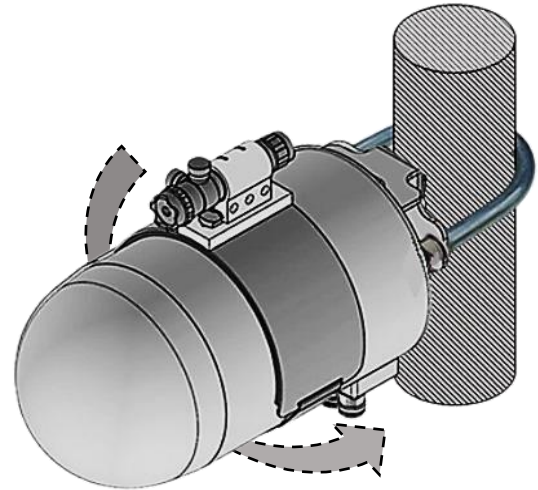
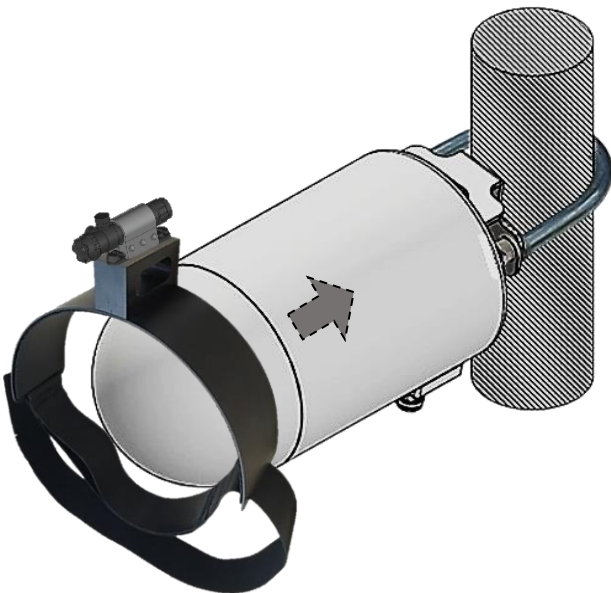
4.20 Example of SLP mounting guide (MS-SB23-F)

Sleeve in the SLP bracket with Velcro

4.21 belt from the front of the installed antenna

Pull and tighten the SLP bracket Velcro

4.22 belt secure and stick to the antenna body.



Loosen the bracket screw and tilt the antenna to the target direction with a laser pointer.

4.23

Once position set, tighten back the screw, loosen the SLP Velcro belt, and remove it from the antenna.

4.24

