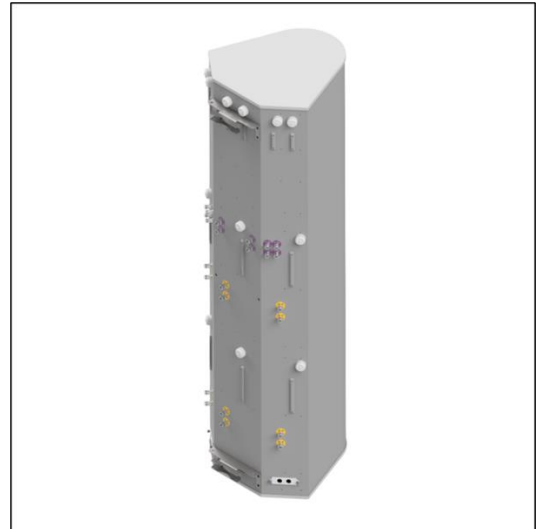
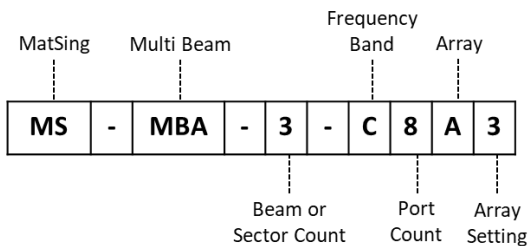


**MATSING ANTENNA MODEL NOMENCLATURE  
(Multi-Beam Array Antenna)**

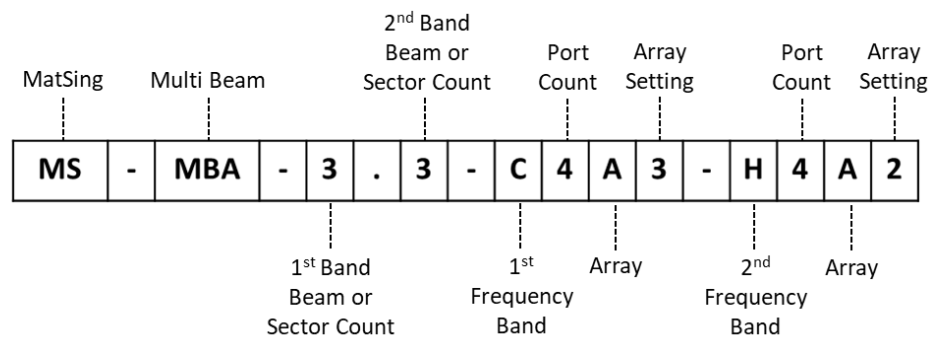
- Single Band Array Antenna Models
- Dual Band Array Antenna Models



**Single Band Array Antenna Models**



**Dual Band Array Antenna Models**



Beam or Sector Count

1, 2, 3, 4, 6, 7

Frequency Band

T = 617MHz – 896MHz  
 L = 698MHz – 960MHz  
 H = 1695MHz – 2690MHz  
 F = 3300MHz – 4200MHz  
 C = 3700MHz – 4200MHz  
 LAA = 5000MHz – 6000MHz