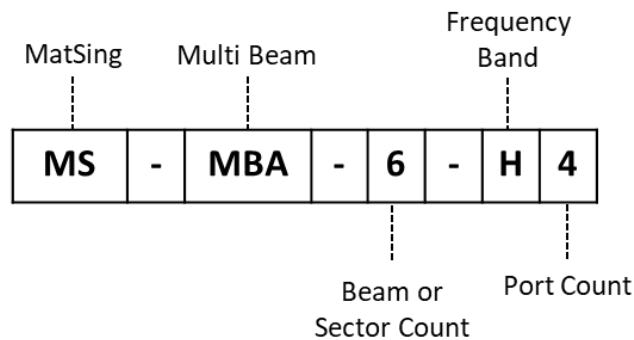


MATSING ANTENNA MODEL NOMENCLATURE
(Multi-Beam Antenna)

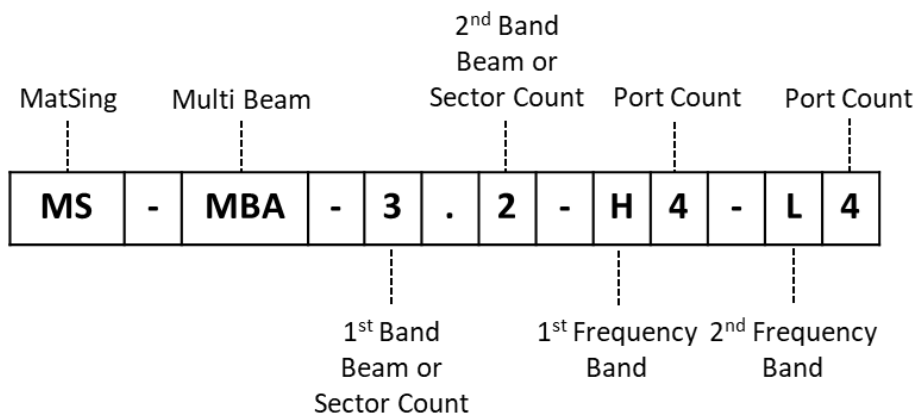
- Single Band Antenna Models
- Dual Band Antenna Models
- Tri Band Antenna Models



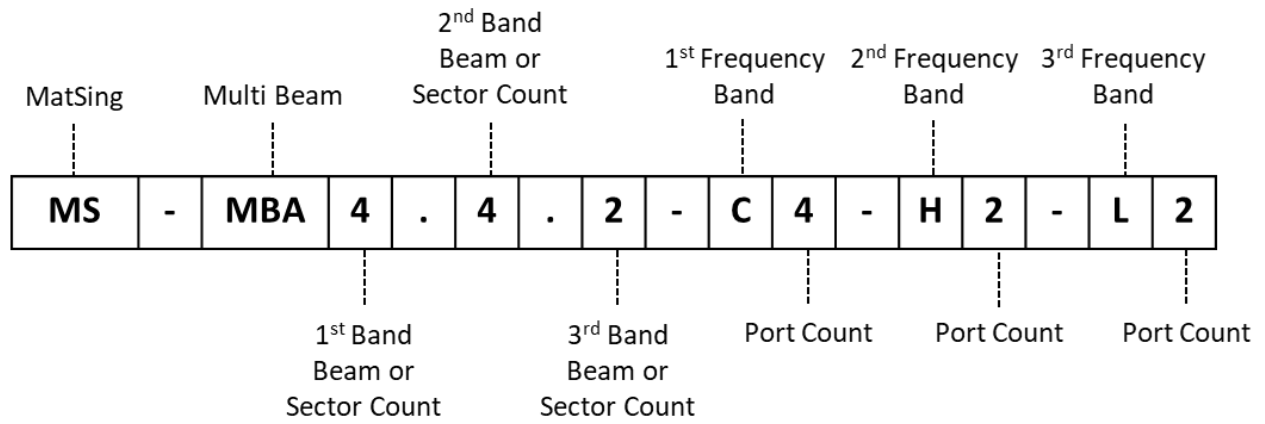
Single Band Antenna Models



Dual Band Antenna Models



Tri Band Antenna Models



Beam or Sector Count

1, 2, 3, 4, 6, 7

Frequency Band

- T = 617MHz – 896MHz
- L = 698MHz – 960MHz
- H = 1695MHz – 2690MHz
- F = 3300MHz – 4200MHz
- C = 3700MHz – 4200MHz
- LAA = 5000MHz – 6000MHz