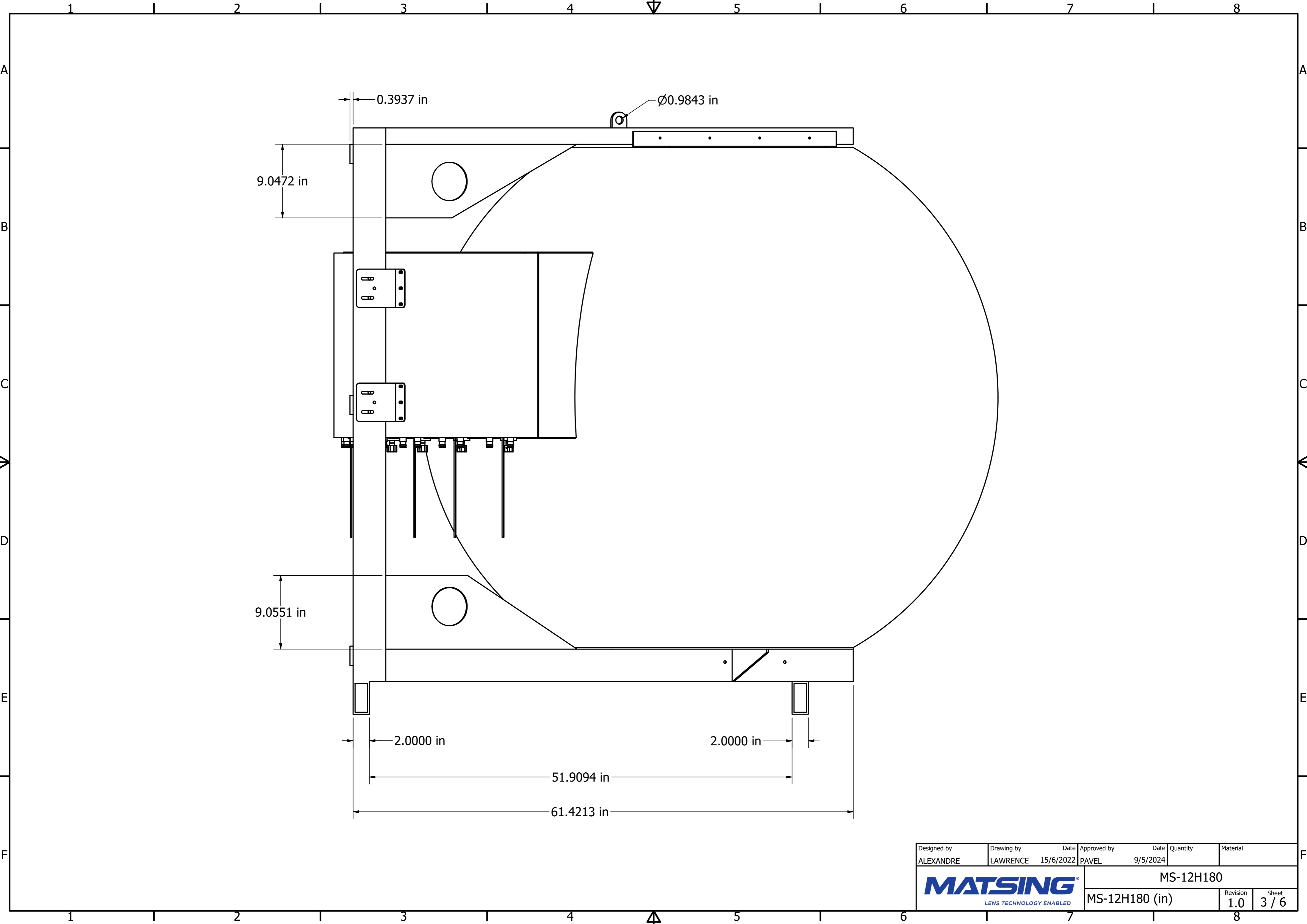
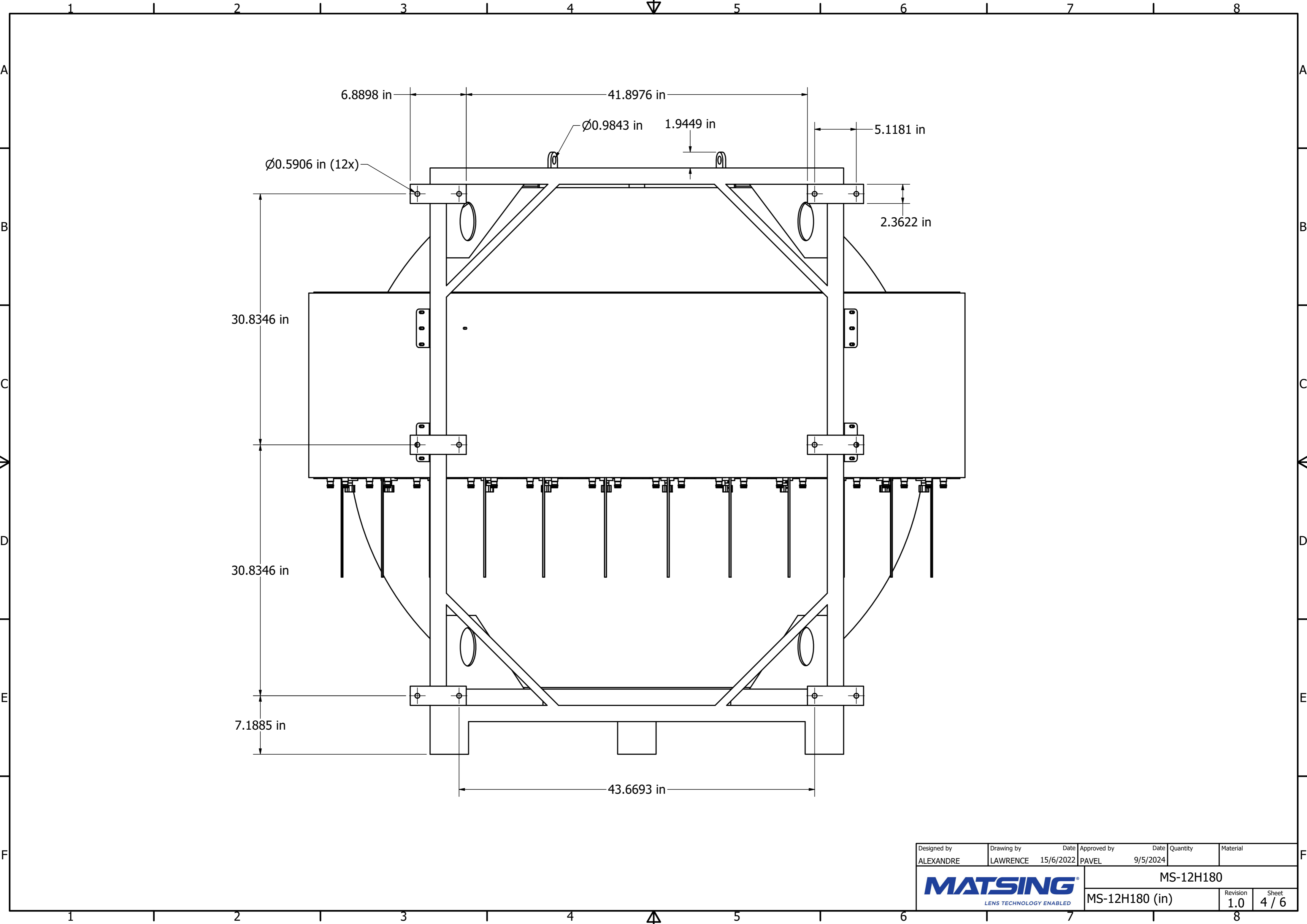


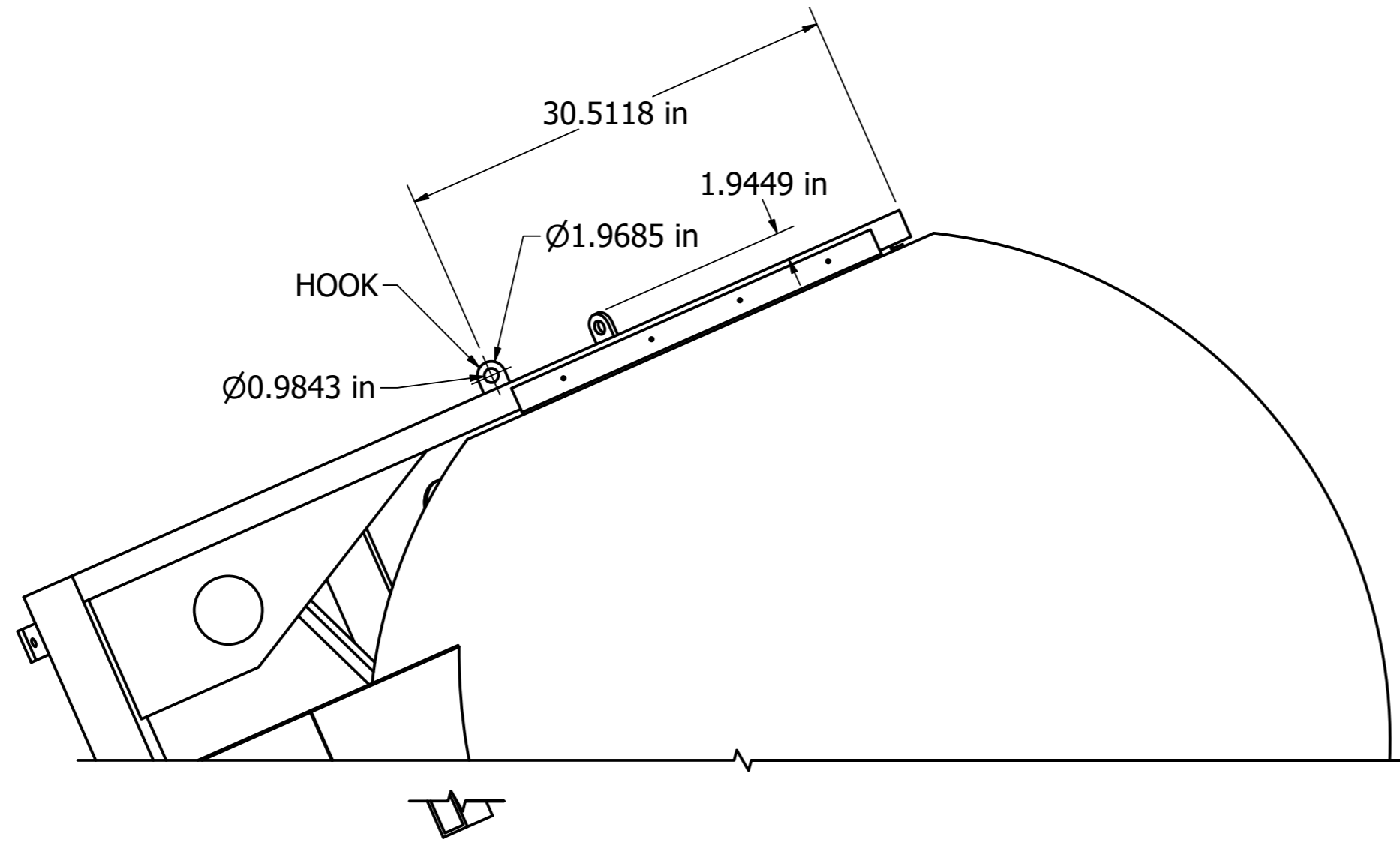
Designed by	Drawing by	Date	Approved by	Date	Quantity	Material
ALEXANDRE	LAWRENCE	15/6/2022	PAVEL	9/5/2024		
MATSING LENS TECHNOLOGY ENABLED						MS-12H180
						MS-12H180 (in)
						Revision 1.0
						Sheet 1 / 6



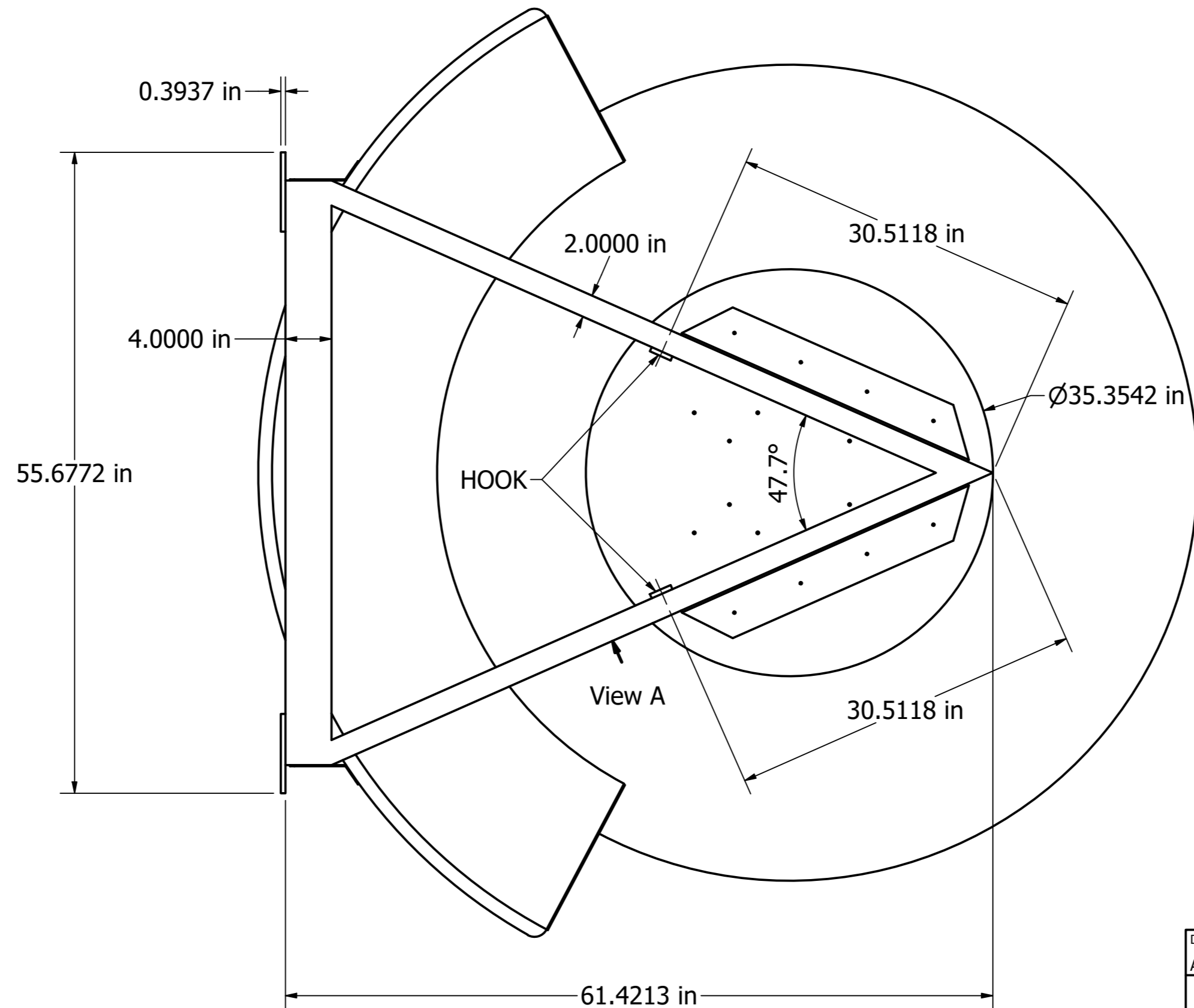
Designed by ALEXANDRE	Drawing by LAWRENCE	Date 15/6/2022	Approved by PAVEL	Date 9/5/2024	Quantity	Material
MATSING LENS TECHNOLOGY ENABLED						MS-12H180
MS-12H180 (in)					Revision 1.0	Sheet 3 / 6



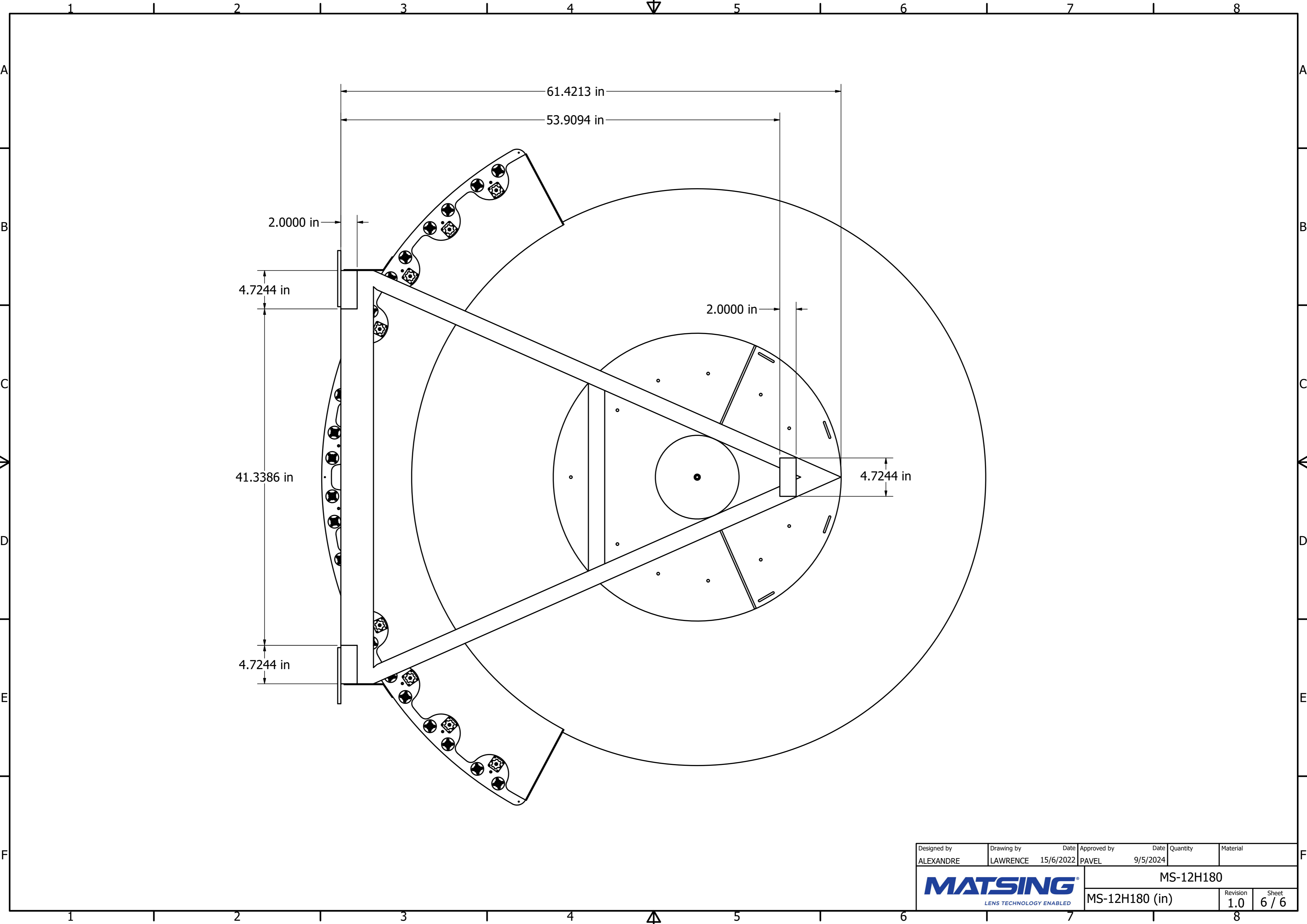
Designed by ALEXANDRE	Drawing by LAWRENCE	Date 15/6/2022	Approved by PAVEL	Date 9/5/2024	Quantity	Material
MATSING LENS TECHNOLOGY ENABLED						MS-12H180
MS-12H180 (in)					Revision 1.0	Sheet 4 / 6



View A



Designed by	Drawing by	Date	Approved by	Date	Quantity	Material
ALEXANDRE	LAWRENCE	15/6/2022	PAVEL	9/5/2024		
MATSING LENS TECHNOLOGY ENABLED						MS-12H180
						MS-12H180 (in)
					Revision	Sheet
					1.0	5 / 6



Designed by ALEXANDRE	Drawing by LAWRENCE	Date 15/6/2022	Approved by PAVEL	Date 9/5/2024	Quantity	Material
MATSING LENS TECHNOLOGY ENABLED						MS-12H180
MS-12H180 (in)					Revision 1.0	Sheet 6 / 6