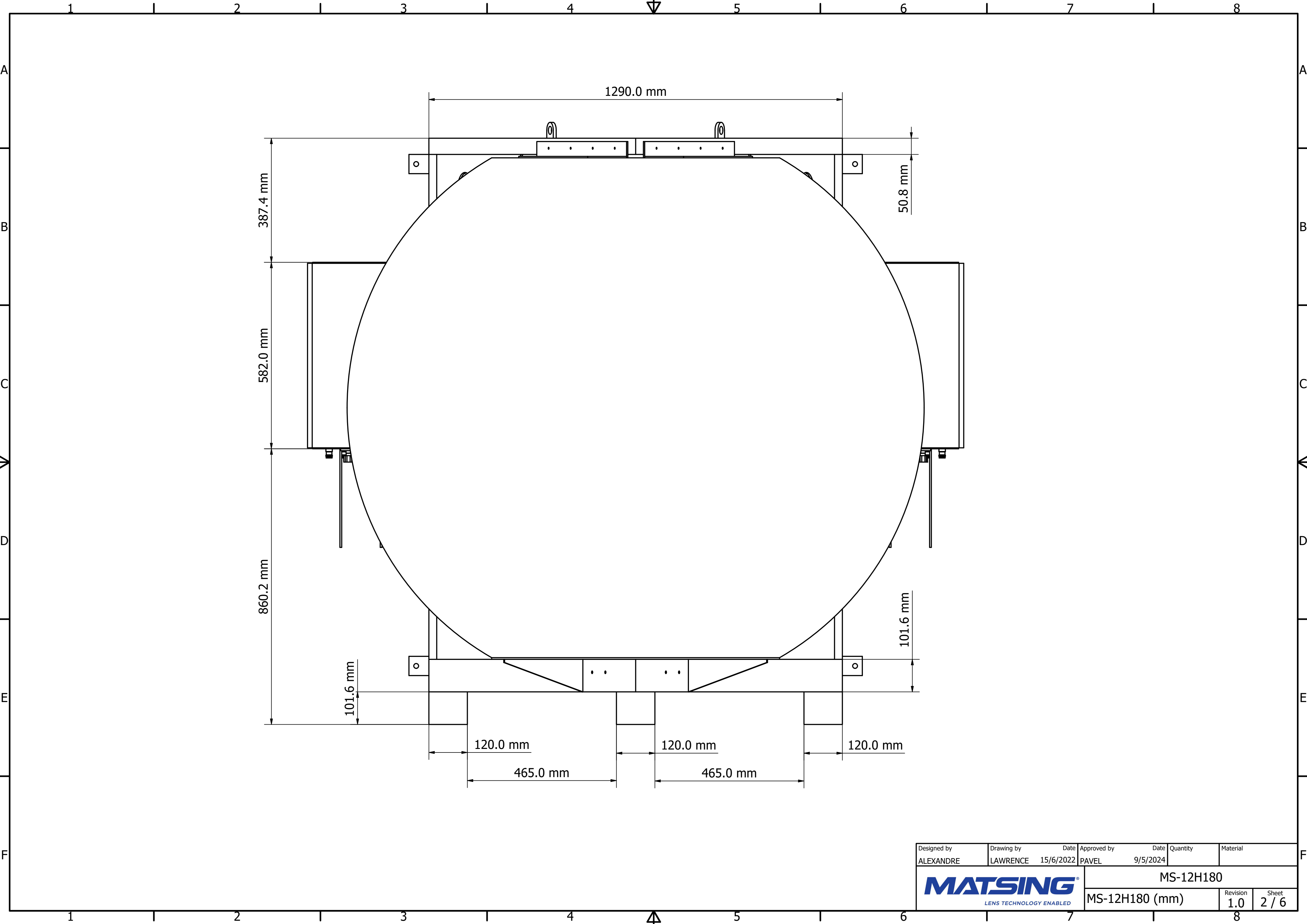

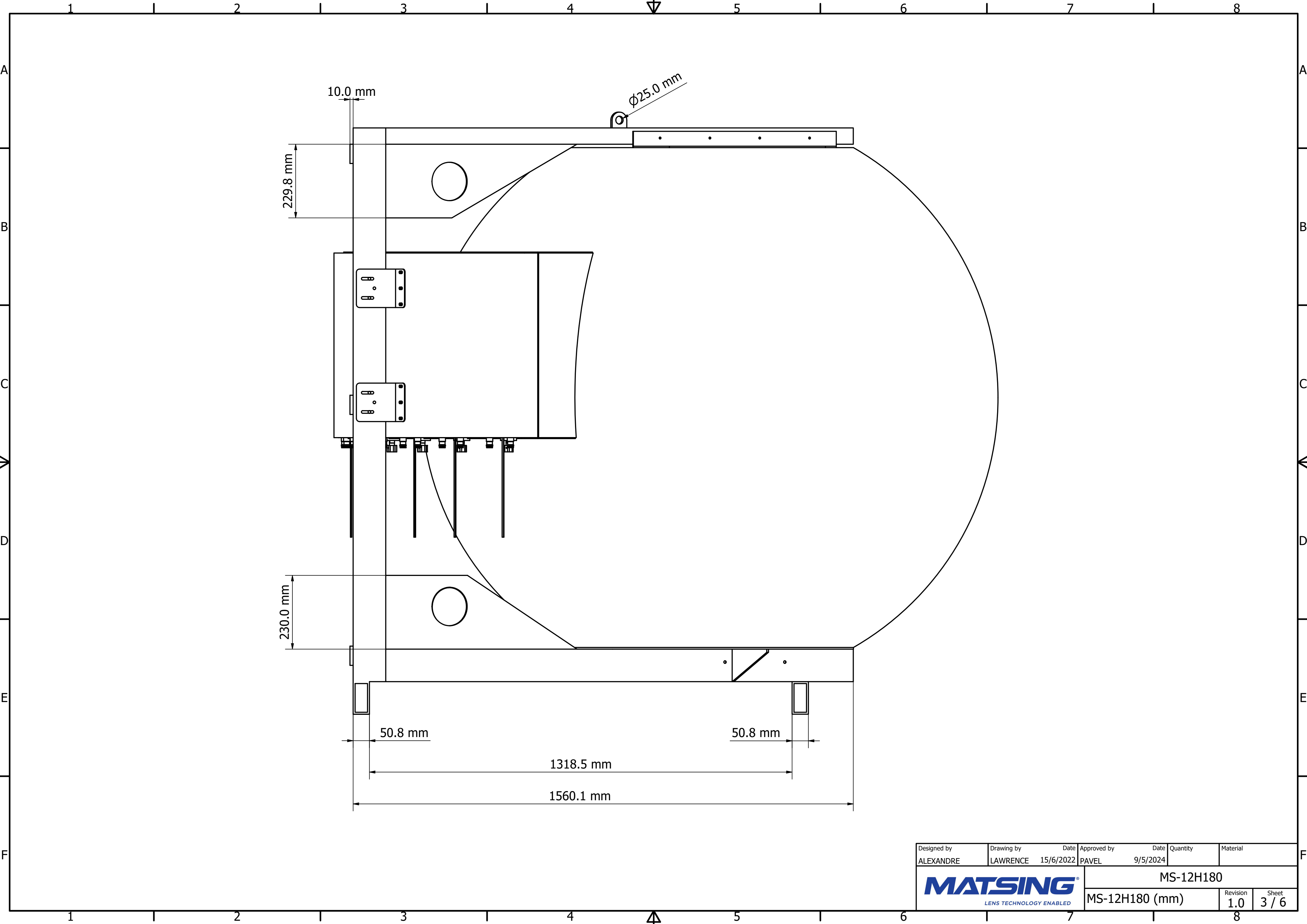


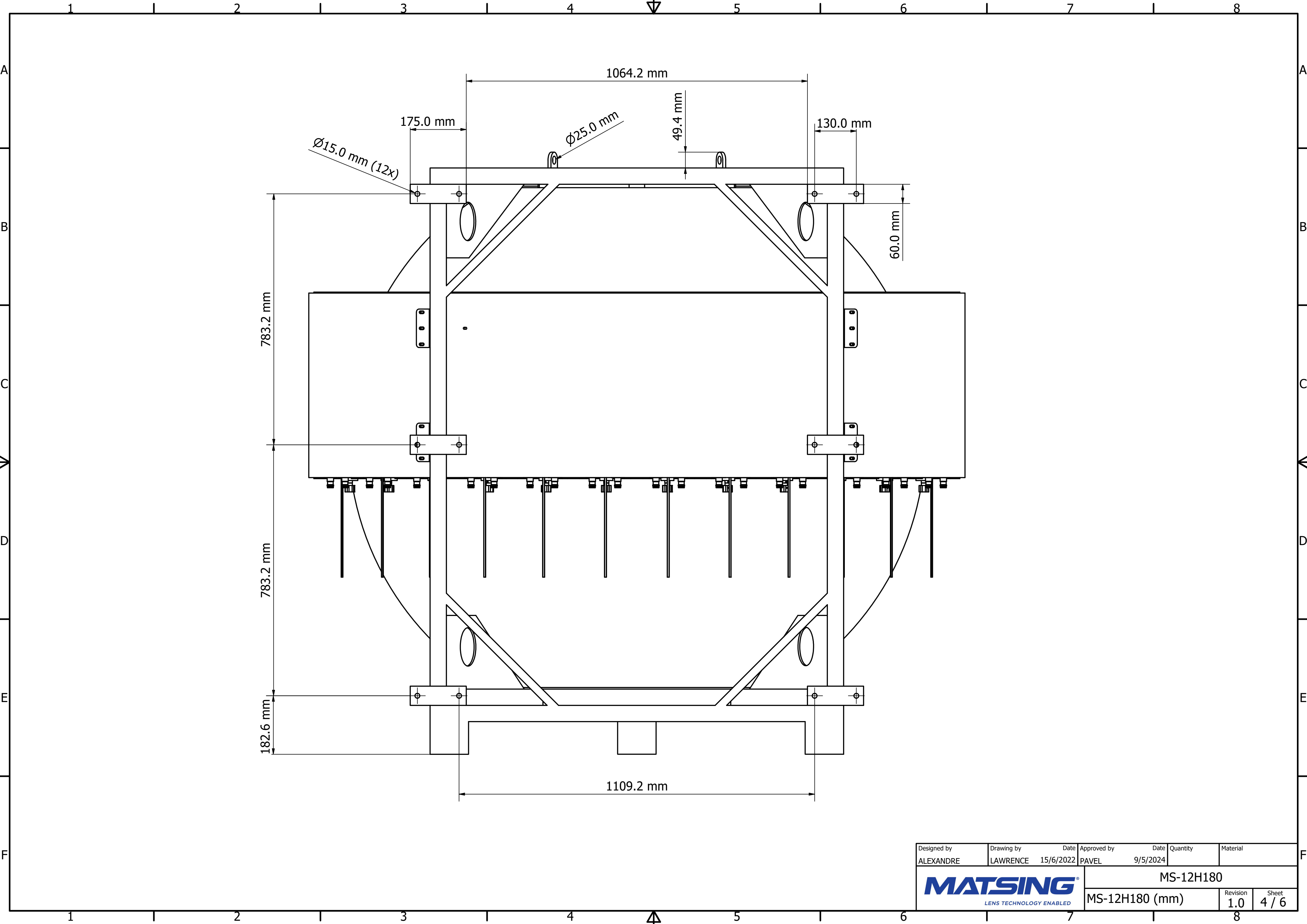
| Designed by | Drawing by | Date | Approved by | Date | Quantity | Material |
|---|------------|-----------|-------------|----------|----------|----------------|
| ALEXANDRE | LAWRENCE | 15/6/2022 | PAVEL | 9/5/2024 | | |
| MATSING LENS TECHNOLOGY ENABLED | | | | | | MS-12H180 |
| | | | | | | MS-12H180 (mm) |
| | | | | | | Revision 1.0 |
| | | | | | | Sheet 1 / 6 |




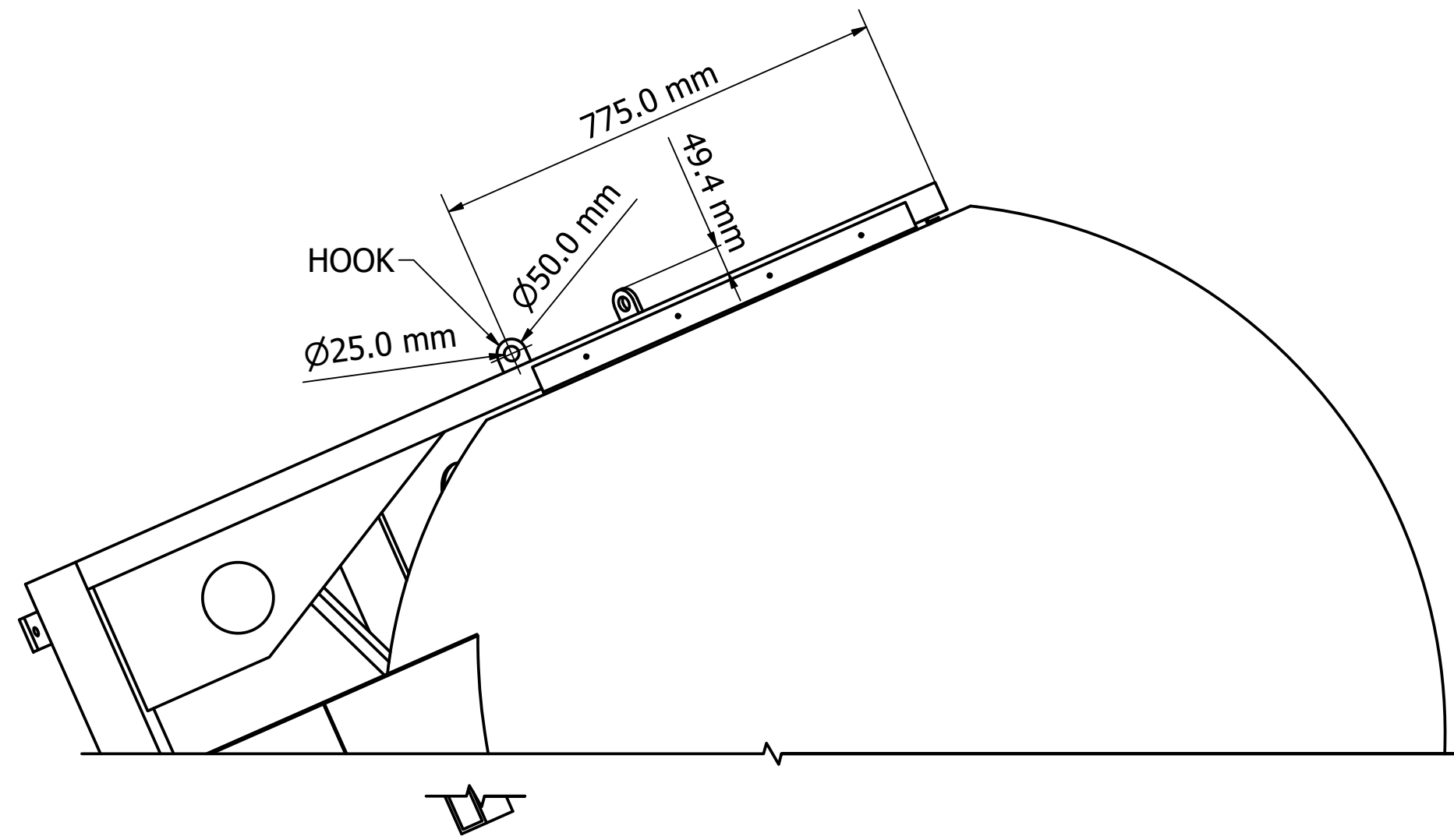
| | | | | | | |
|---|------------------------|-------------------|----------------------|------------------|----------|----------------|
| Designed by ALEXANDRE | Drawing by LAWRENCE | Date 15/6/2022 | Approved by PAVEL | Date 9/5/2024 | Quantity | Material |
|  | | | | | | MS-12H180 |
| | | | | | | MS-12H180 (mm) |



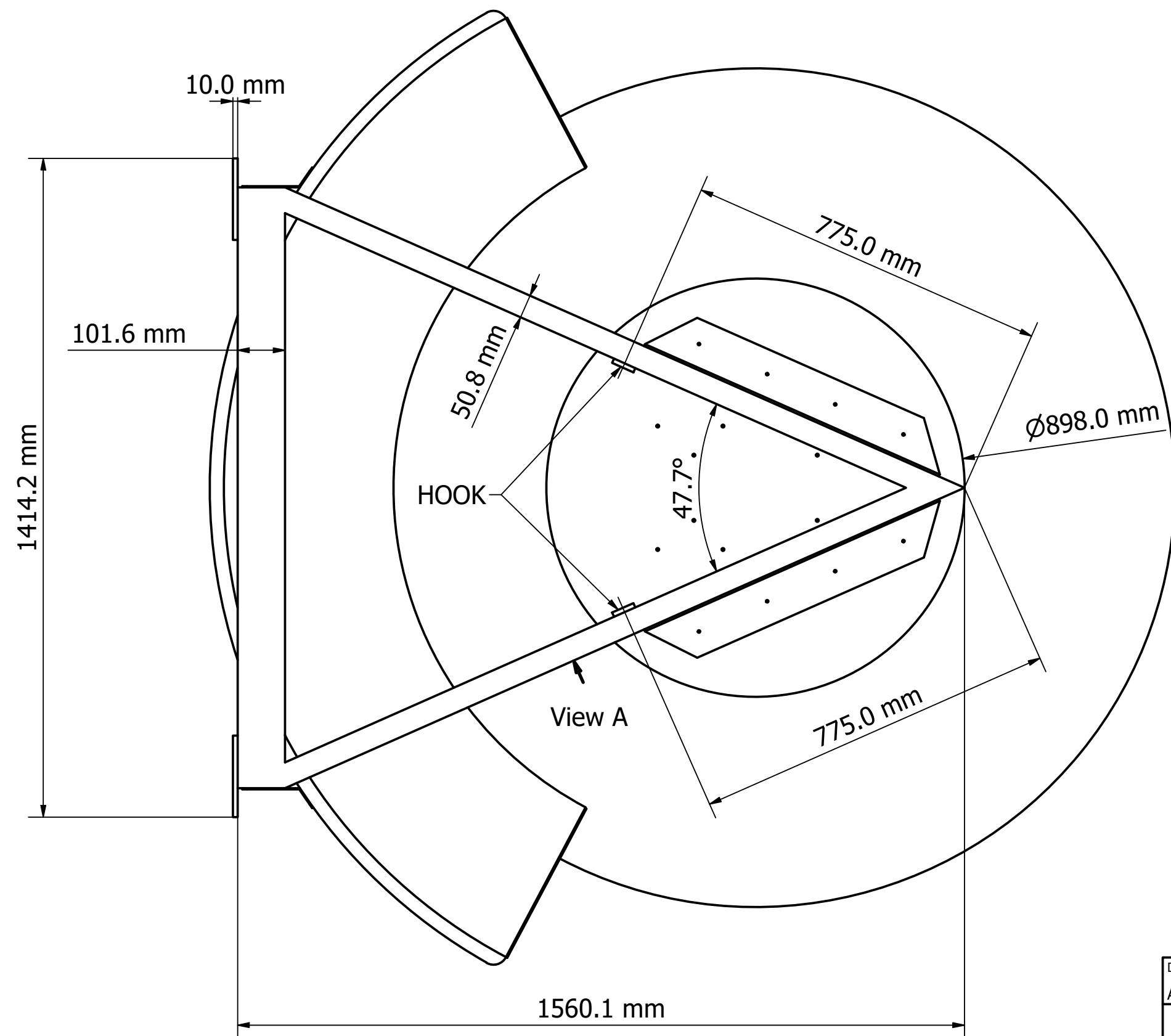
| | | | | | | |
|---|------------------------|-------------------|----------------------|------------------|-----------------|----------------|
| Designed by ALEXANDRE | Drawing by LAWRENCE | Date 15/6/2022 | Approved by PAVEL | Date 9/5/2024 | Quantity | Material |
| MATSING LENS TECHNOLOGY ENABLED | | | | | | MS-12H180 |
| MS-12H180 (mm) | | | | | Revision 1.0 | Sheet 3 / 6 |



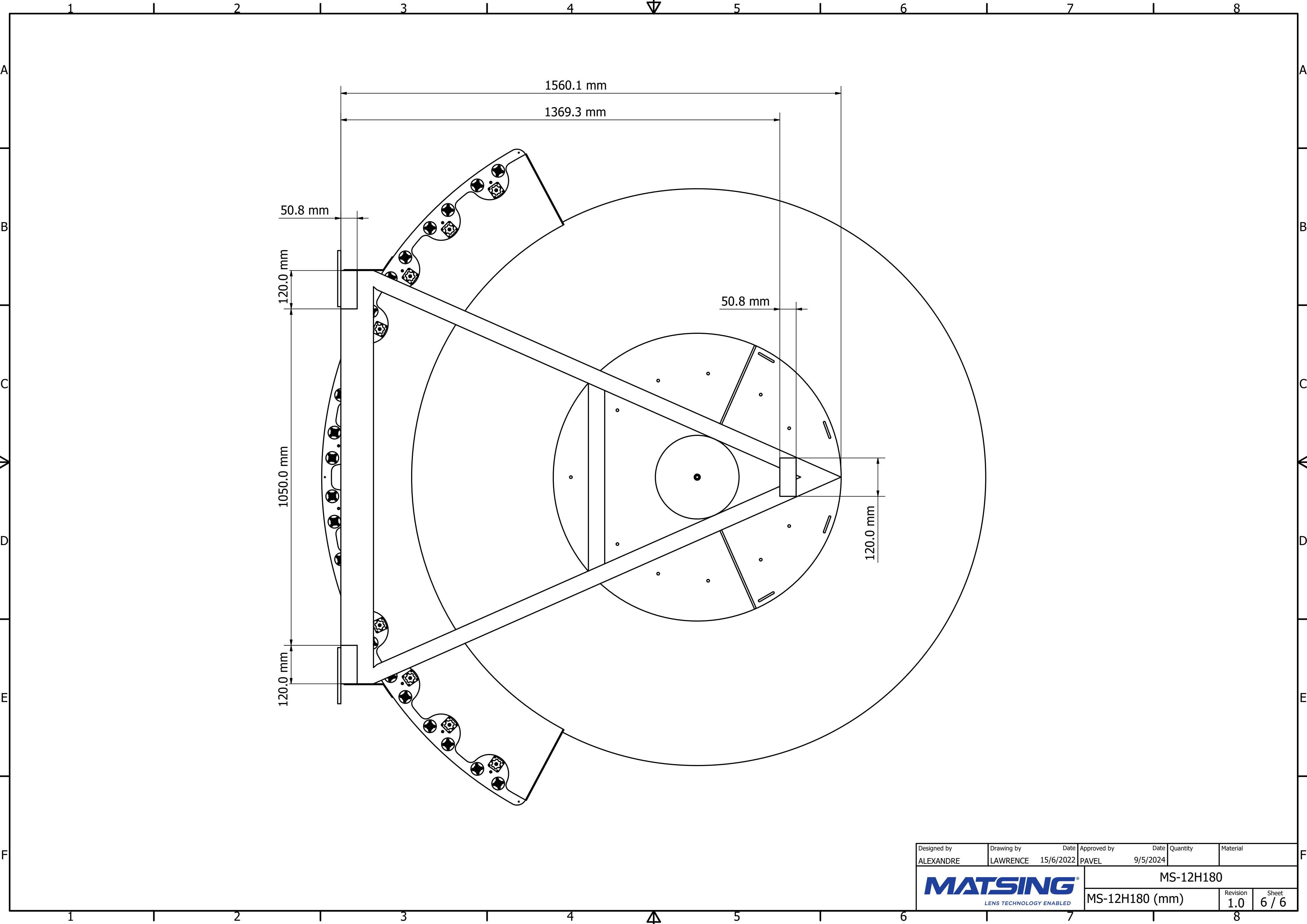
| | | | | | | |
|--|------------------------|-------------------|----------------------|------------------|----------|----------------|
| Designed by ALEXANDRE | Drawing by LAWRENCE | Date 15/6/2022 | Approved by PAVEL | Date 9/5/2024 | Quantity | Material |
|  MATSING <small>LENS TECHNOLOGY ENABLED</small> | | | | | | MS-12H180 |
| | | | | | | MS-12H180 (mm) |




View A



| | | | | | | |
|---|------------------------|-------------------|----------------------|------------------|-----------------|----------------|
| Designed by ALEXANDRE | Drawing by LAWRENCE | Date 15/6/2022 | Approved by PAVEL | Date 9/5/2024 | Quantity | Material |
| MATSING LENS TECHNOLOGY ENABLED | | | | | | MS-12H180 |
| MS-12H180 (mm) | | | | | Revision 1.0 | Sheet 5 / 6 |



| | | | | | | |
|--|------------------------|-------------------|----------------------|------------------|----------|----------------|
| Designed by ALEXANDRE | Drawing by LAWRENCE | Date 15/6/2022 | Approved by PAVEL | Date 9/5/2024 | Quantity | Material |
|  MATSING <small>LENS TECHNOLOGY ENABLED</small> | | | | | | MS-12H180 |
| | | | | | | MS-12H180 (mm) |