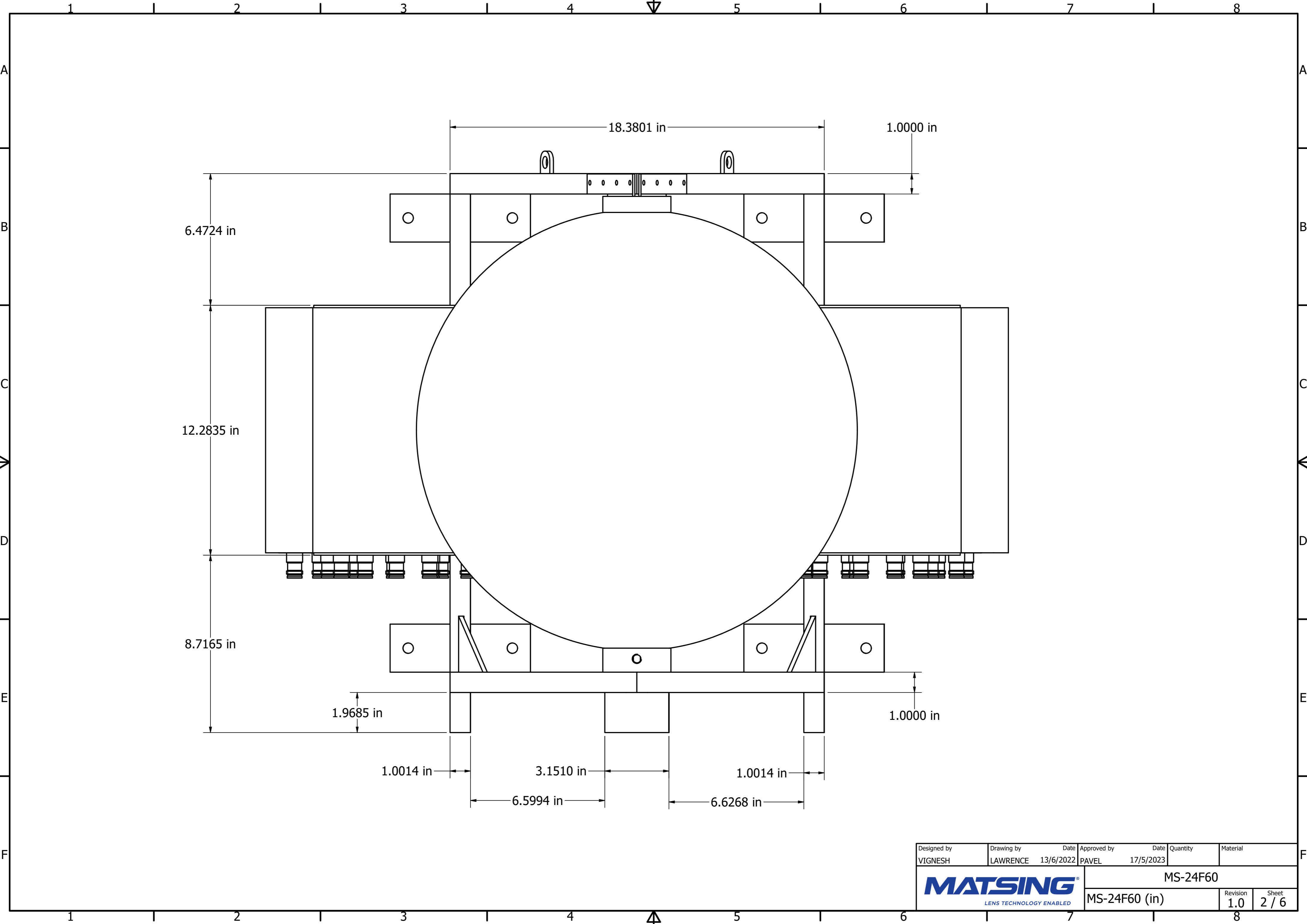
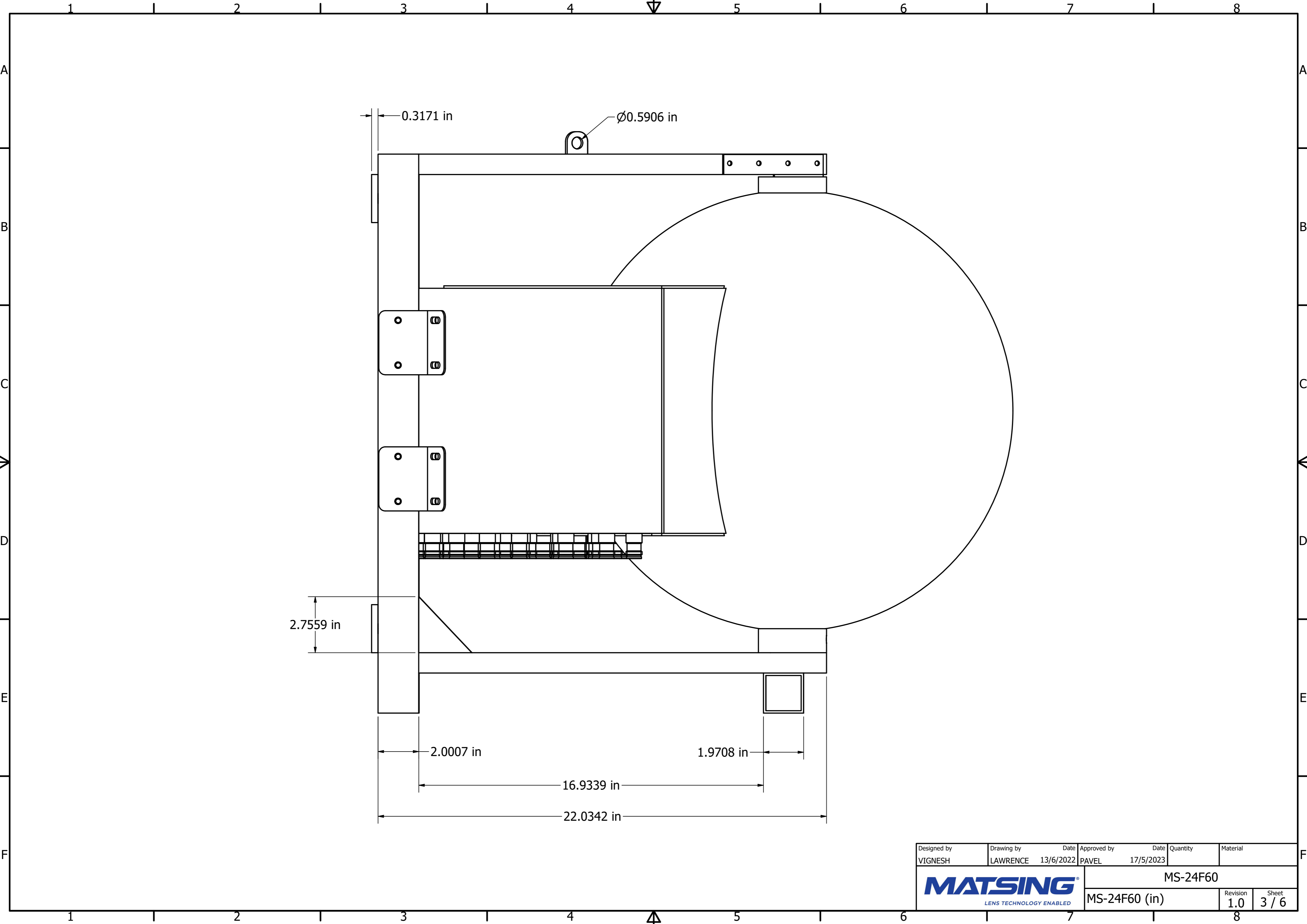


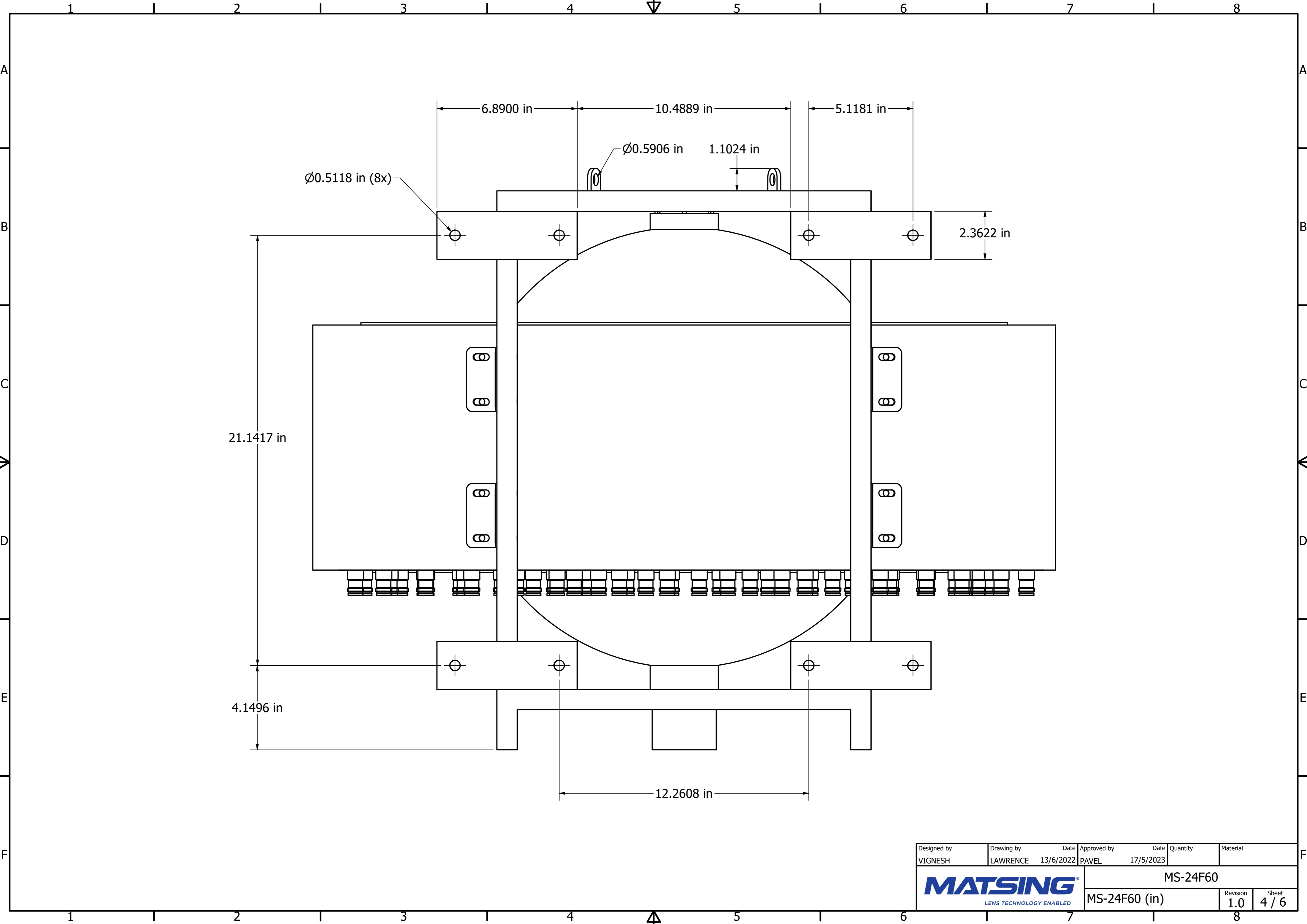
Designed by VIGNESH	Drawing by LAWRENCE	Date 13/6/2022	Approved by PAVEL	Date 17/5/2023	Quantity	Material
MATSING LENS TECHNOLOGY ENABLED						MS-24F60
MS-24F60 (in)					Revision 1.0	Sheet 1 / 6



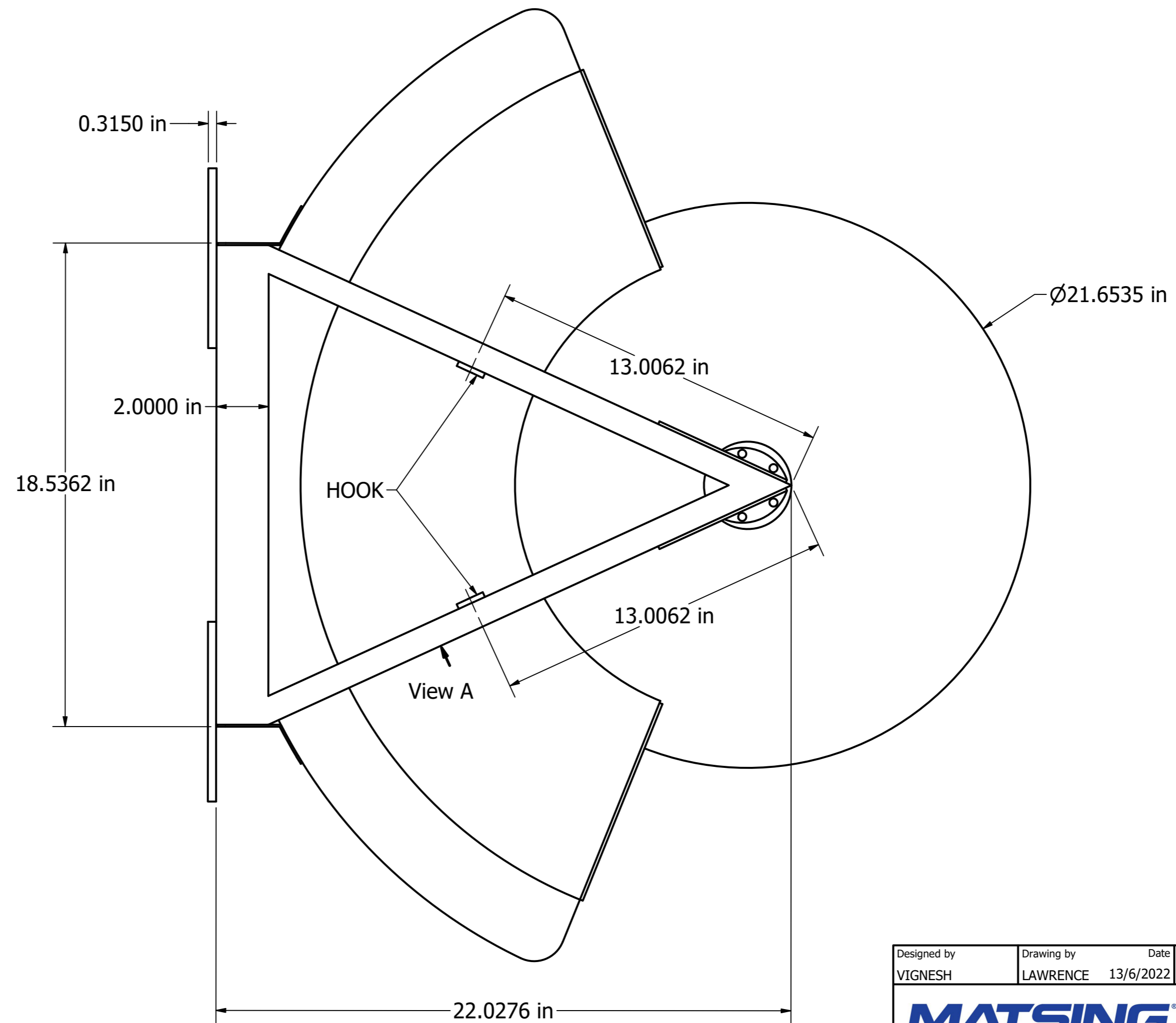
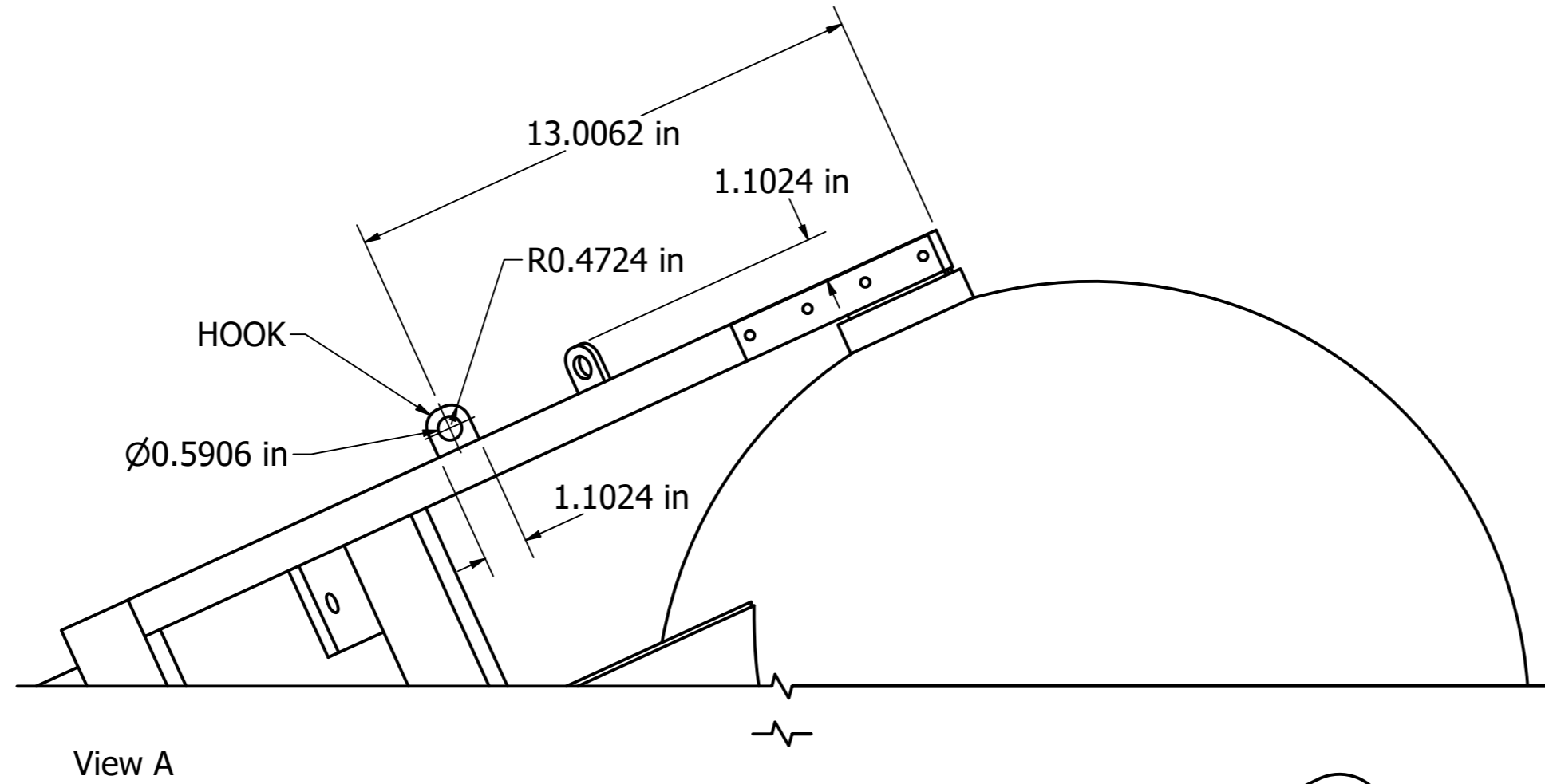
Designed by VIGNESH	Drawing by LAWRENCE	Date 13/6/2022	Approved by PAVEL	Date 17/5/2023	Quantity	Material
MATSING LENS TECHNOLOGY ENABLED						MS-24F60
MS-24F60 (in)					Revision 1.0	Sheet 2 / 6



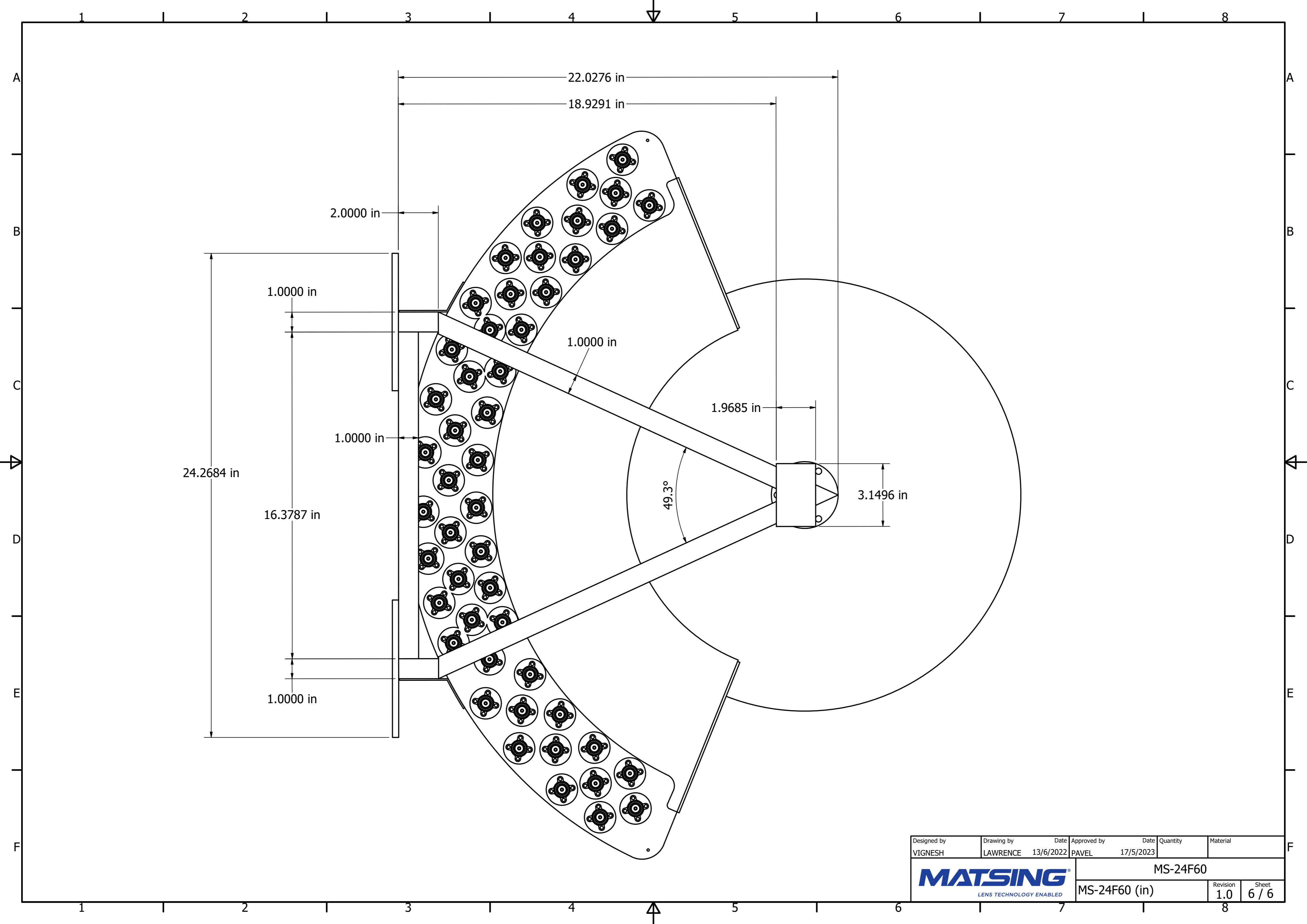
Designed by	Drawing by	Date	Approved by	Date	Quantity	Material	
VIGNESH	LAWRENCE	13/6/2022	PAVEL	17/5/2023			
MATSING LENS TECHNOLOGY ENABLED						MS-24F60	
MS-24F60 (in)						Revision 1.0	Sheet 3 / 6



Designed by VIGNESH	Drawing by LAWRENCE	Date 13/6/2022	Approved by PAVEL	Date 17/5/2023	Quantity	Material
MATSING LENS TECHNOLOGY ENABLED						MS-24F60
MS-24F60 (in)					Revision 1.0	Sheet 4 / 6



Designed by	Drawing by	Date	Approved by	Date	Quantity	Material
VIGNESH	LAWRENCE	13/6/2022	PAVEL	17/5/2023		
MATSING LENS TECHNOLOGY ENABLED						MS-24F60
						MS-24F60 (in)
					Revision	Sheet
					1.0	5 / 6



Designed by VIGNESH	Drawing by LAWRENCE	Date 13/6/2022	Approved by PAVEL	Date 17/5/2023	Quantity	Material
MATSING LENS TECHNOLOGY ENABLED						MS-24F60
MS-24F60 (in)					Revision 1.0	Sheet 6 / 6