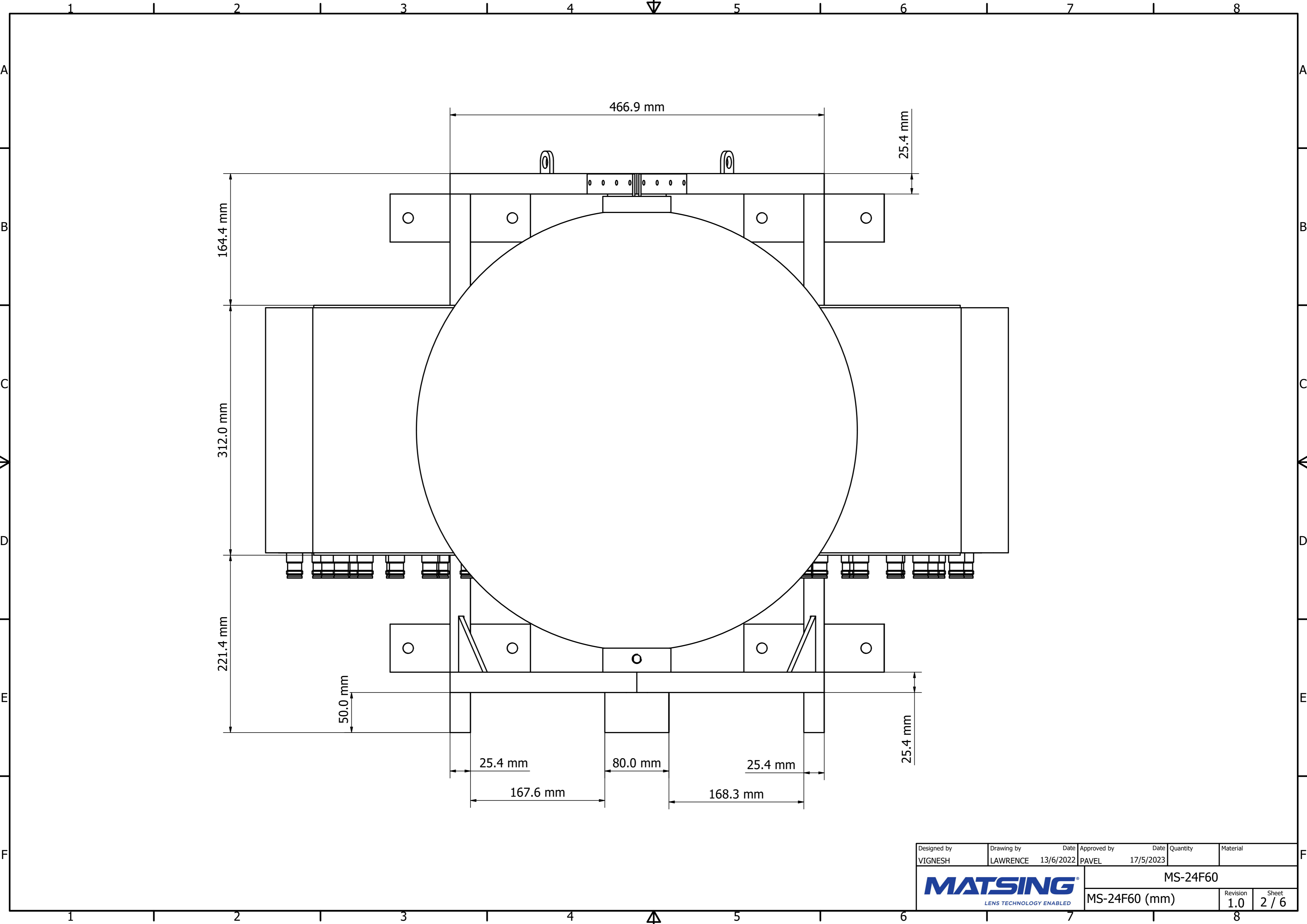
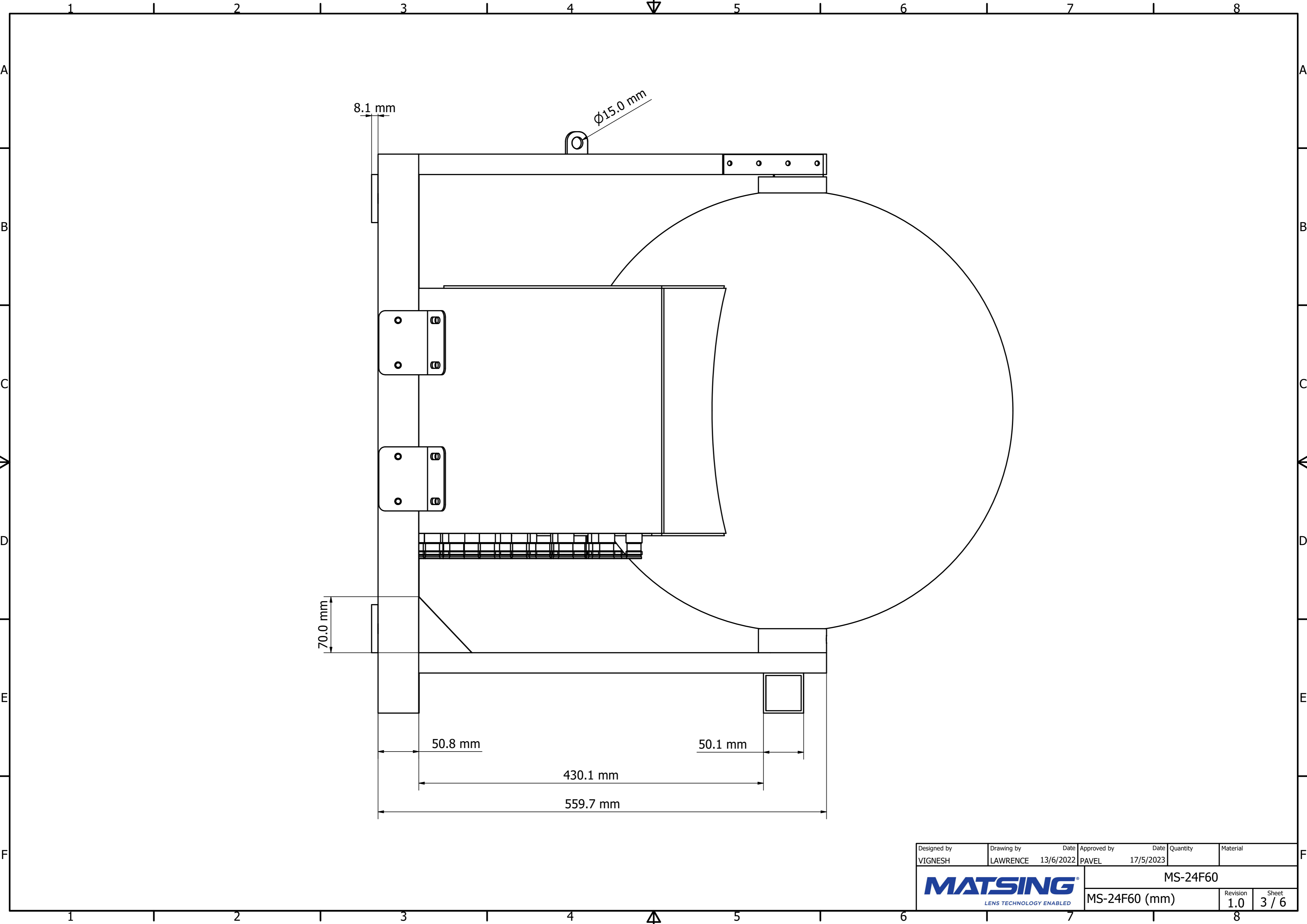


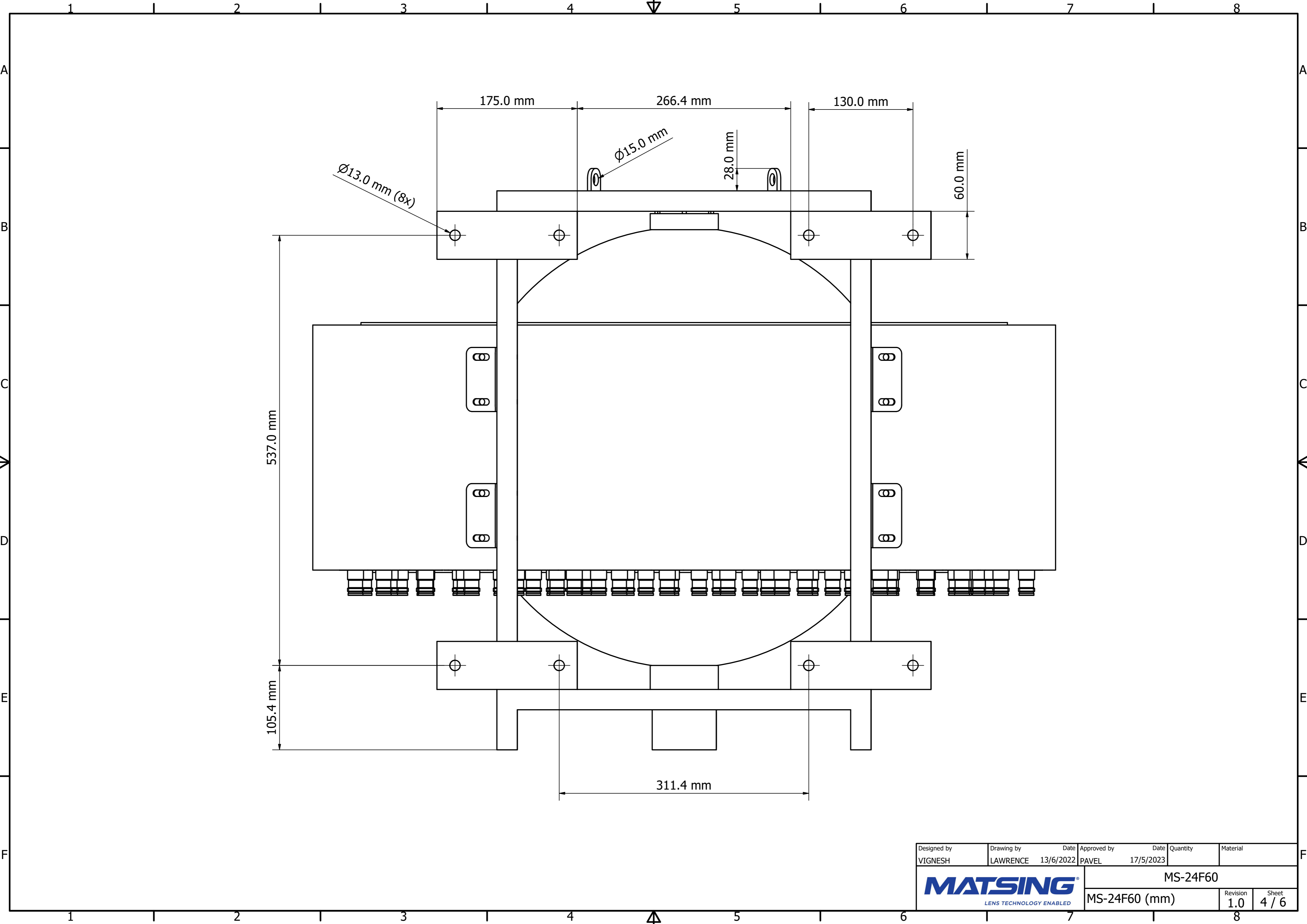
Designed by VIGNESH	Drawing by LAWRENCE	Date 13/6/2022	Approved by PAVEL	Date 17/5/2023	Quantity	Material
MATSING LENS TECHNOLOGY ENABLED						MS-24F60
MS-24F60 (mm)					Revision 1.0	Sheet 1 / 6



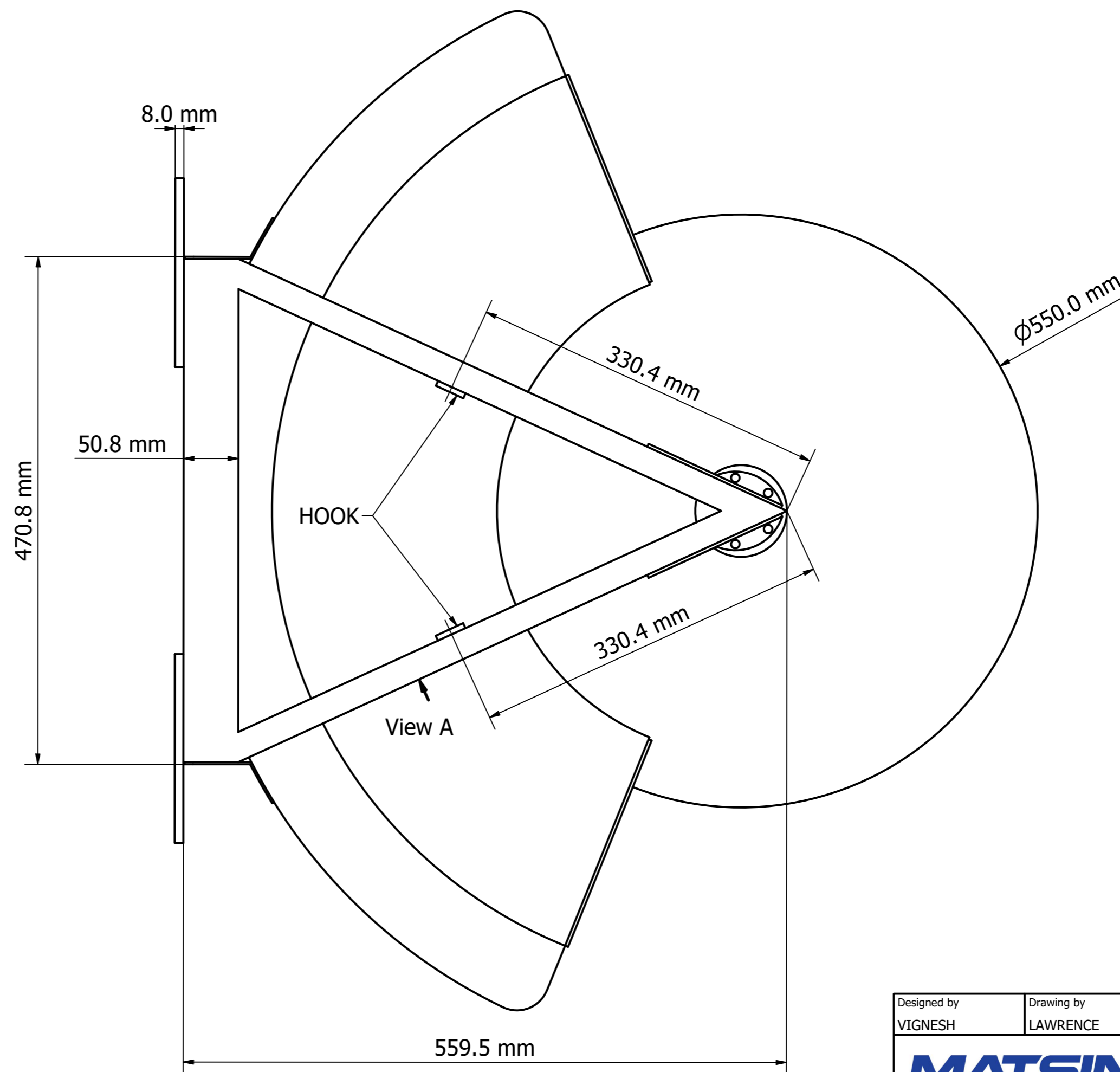
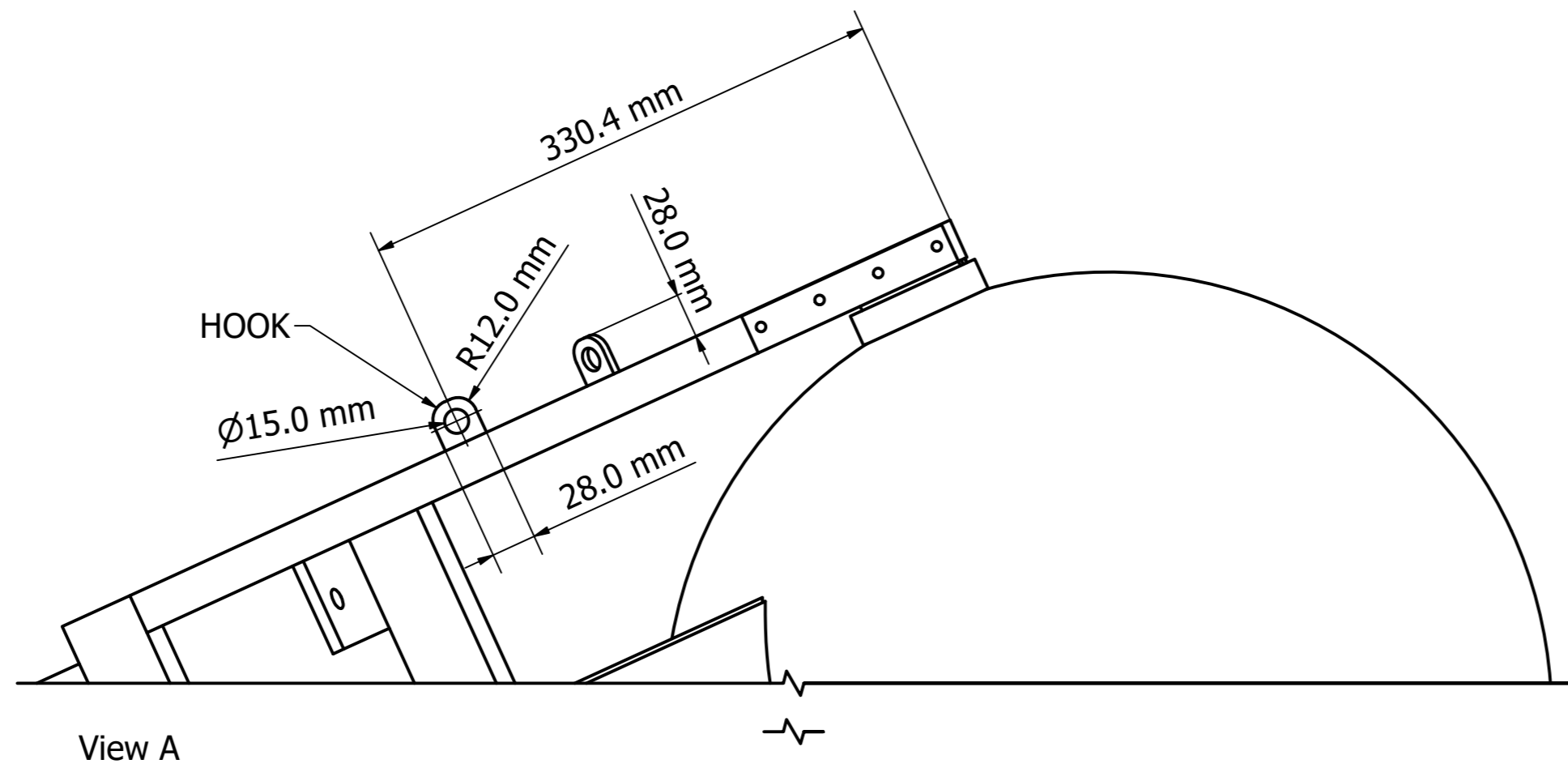
Designed by VIGNESH	Drawing by LAWRENCE	Date 13/6/2022	Approved by PAVEL	Date 17/5/2023	Quantity	Material
MATSING LENS TECHNOLOGY ENABLED						MS-24F60
MS-24F60 (mm)					Revision 1.0	Sheet 2 / 6



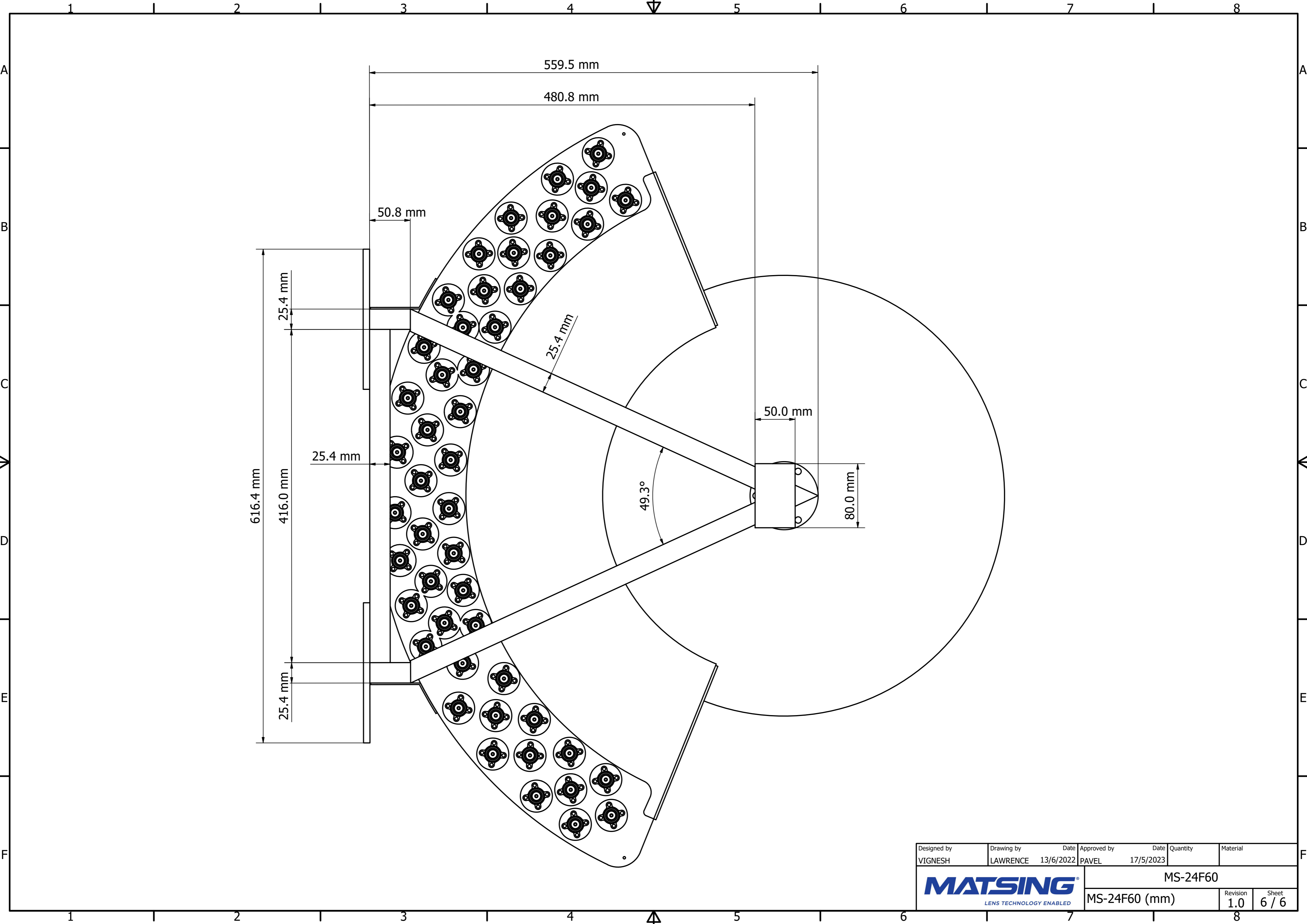
Designed by VIGNESH	Drawing by LAWRENCE	Date 13/6/2022	Approved by PAVEL	Date 17/5/2023	Quantity	Material
MATSING LENS TECHNOLOGY ENABLED						MS-24F60
MS-24F60 (mm)					Revision 1.0	Sheet 3 / 6



Designed by VIGNESH	Drawing by LAWRENCE	Date 13/6/2022	Approved by PAVEL	Date 17/5/2023	Quantity	Material
MATSING LENS TECHNOLOGY ENABLED						MS-24F60
MS-24F60 (mm)					Revision 1.0	Sheet 4 / 6



Designed by VIGNESH	Drawing by LAWRENCE	Date 13/6/2022	Approved by PAVEL	Date 17/5/2023	Quantity	Material
MATSING LENS TECHNOLOGY ENABLED						MS-24F60
MS-24F60 (mm)					Revision 1.0	Sheet 5 / 6



Designed by VIGNESH	Drawing by LAWRENCE	Date 13/6/2022	Approved by PAVEL	Date 17/5/2023	Quantity	Material
MATSING LENS TECHNOLOGY ENABLED						MS-24F60
MS-24F60 (mm)					Revision 1.0	Sheet 6 / 6