

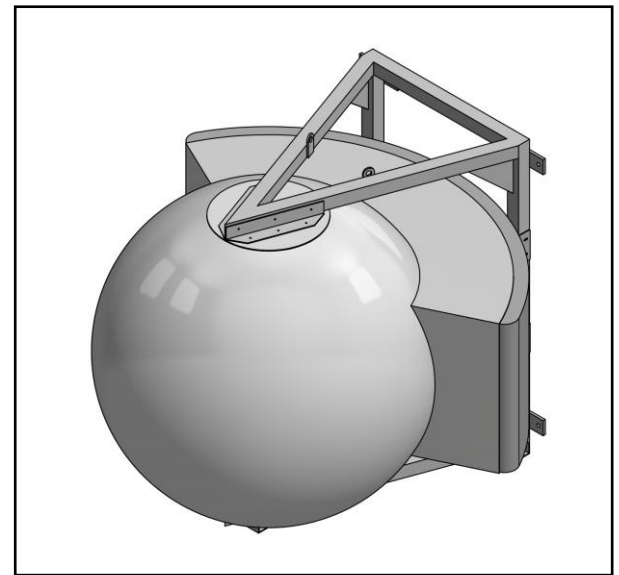
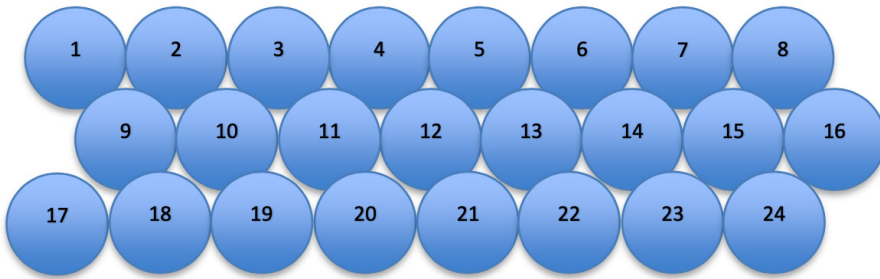
MATSING®

LENS TECHNOLOGY ENABLED

MS-24F60

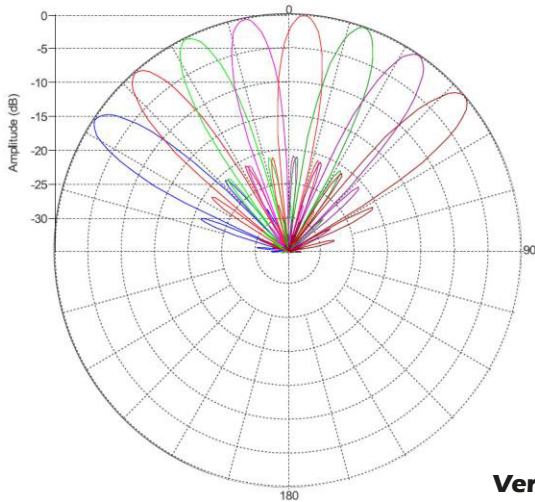
Multi-Beam Wide Band Spherical Lens Antenna: 3 rows of 8 independent high frequency (3300 – 4200MHz) cross-polarized beams.
Factory set tilt for each row; +13°, 0°, -13°

BEAM LAYOUT:

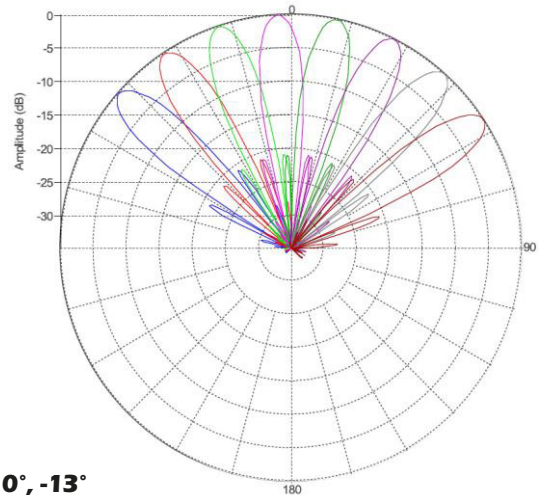


PATTERN RESULTS (3.6GHz):

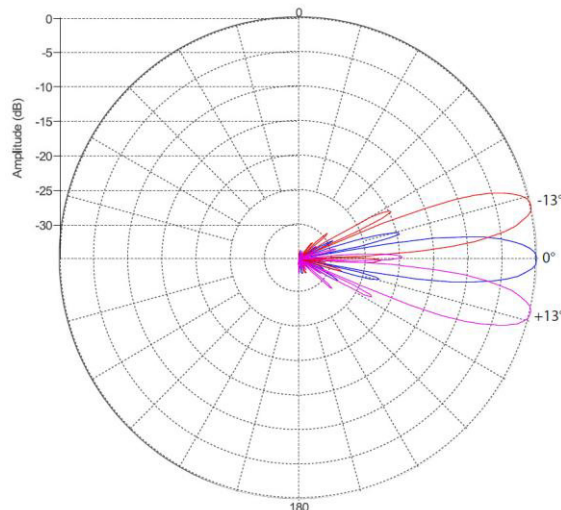
Horizontal Pattern Top & Bottom Rows



Horizontal Pattern Middle Row



Vertical Pattern +13°, 0°, -13°



TECHNICAL SPECIFICATIONS PER BEAM

Frequency	3300-4200 MHz
Gain	24.0dBi
VSWR	<1.5:1
Polarization	Dual Slant ±45°
Horizontal Coverage	120°
Horizontal Beamwidth (10dB level)	15°
Horizontal Beamwidth (3dB level)	8.5°
Vertical Beamwidth (10dB level)	15°
Vertical Beamwidth (3dB level)	8.5°
Beam Cross-over	10dB typical
Total Number of Beams	24
Tilt	Fixed
First Sidelobe level	<-16dB
Front to Back Ratio	>28dB
Isolation Port to Port - Polarization	>28dB
Isolation Port to Port - Beam	>28dB
Power Rating	150W per port
Intermodulation	<-153dBc
Impedance	50 ohm
Connector Quantity and Type	48 X 4.3-10 female

MECHANICAL DATA

Dimensions (H x W x D)	Spherical Lens diameter: 60cm/24inch Antenna dimensions: 72.6 x 93 x 80 cm 28.6 x 36.5 x 31.5 inch
Antenna Weight	26kg 57.3lbs
Radome Material	Fiber Glass
Mounting	2 position pipe mount Compatible pipe diameter: 6.1 – 11.4 cm 2.4 – 4.5 inch

ENVIRONMENTAL RATINGS

Humidity	95% RH @ +30°C
Temperature	-40°C to +70°C
Wind load	959 N @ 160km/hr 216 lbf @ 160km/hr