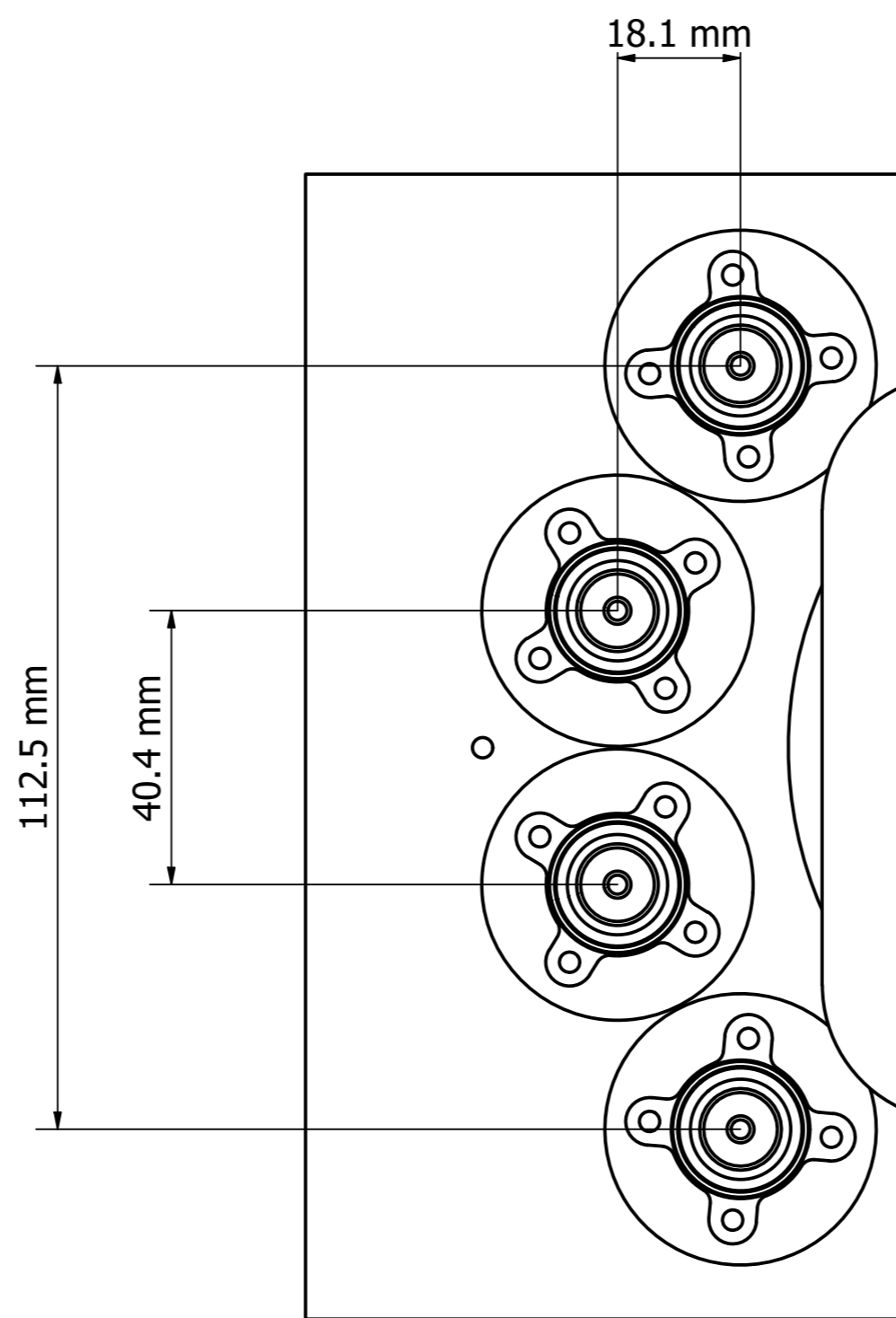
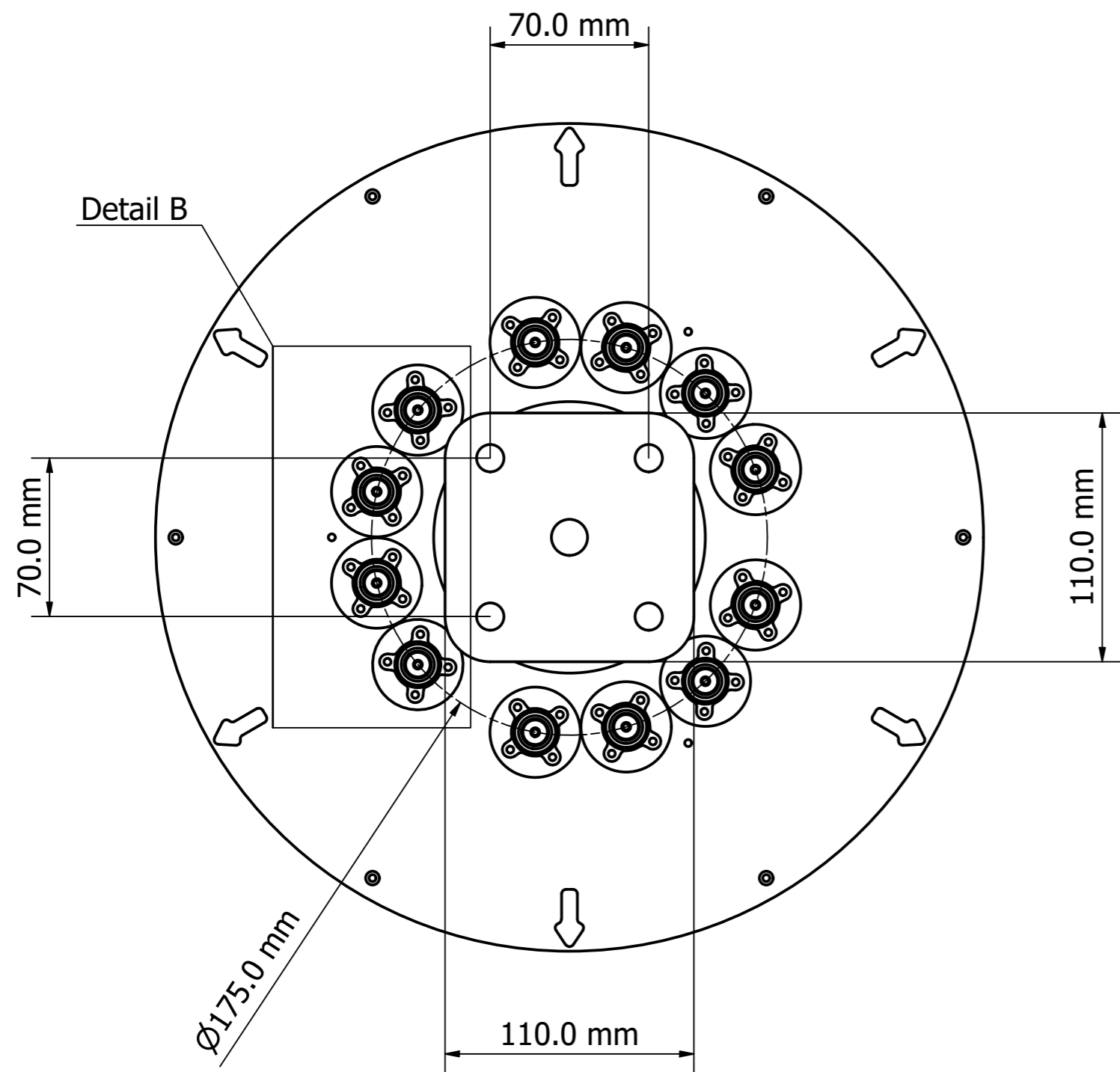
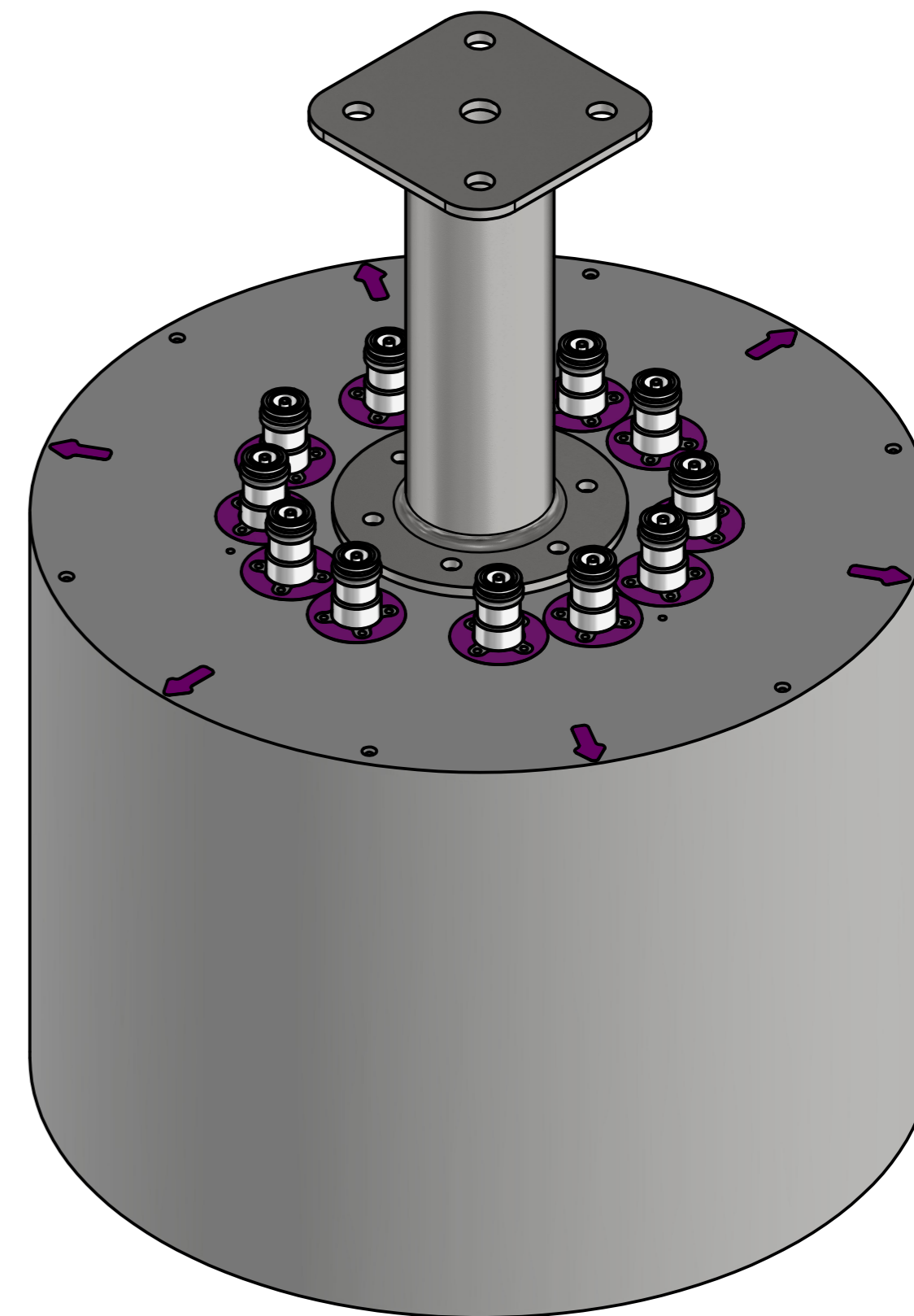


Designed by VIGNESH	Drawing by LAWRENCE	Date 26/4/2024	Approved by PAVEL	Date 14/5/2024	Quantity	Material
<b>MATSING</b> LENS TECHNOLOGY ENABLED						MS-LP-6-F2
					Revision 1.0	Sheet 1 / 2



Detail B



Designed by	Drawing by	Date	Approved by	Date	Quantity	Material
VIGNESH	LAWRENCE	26/4/2024	PAVEL	14/5/2024		
<b>MATSING</b> LENS TECHNOLOGY ENABLED						MS-LP-6-F2
						MS-LP-6-F2 (mm)
						Revision 1.0
						Sheet 2 / 2