
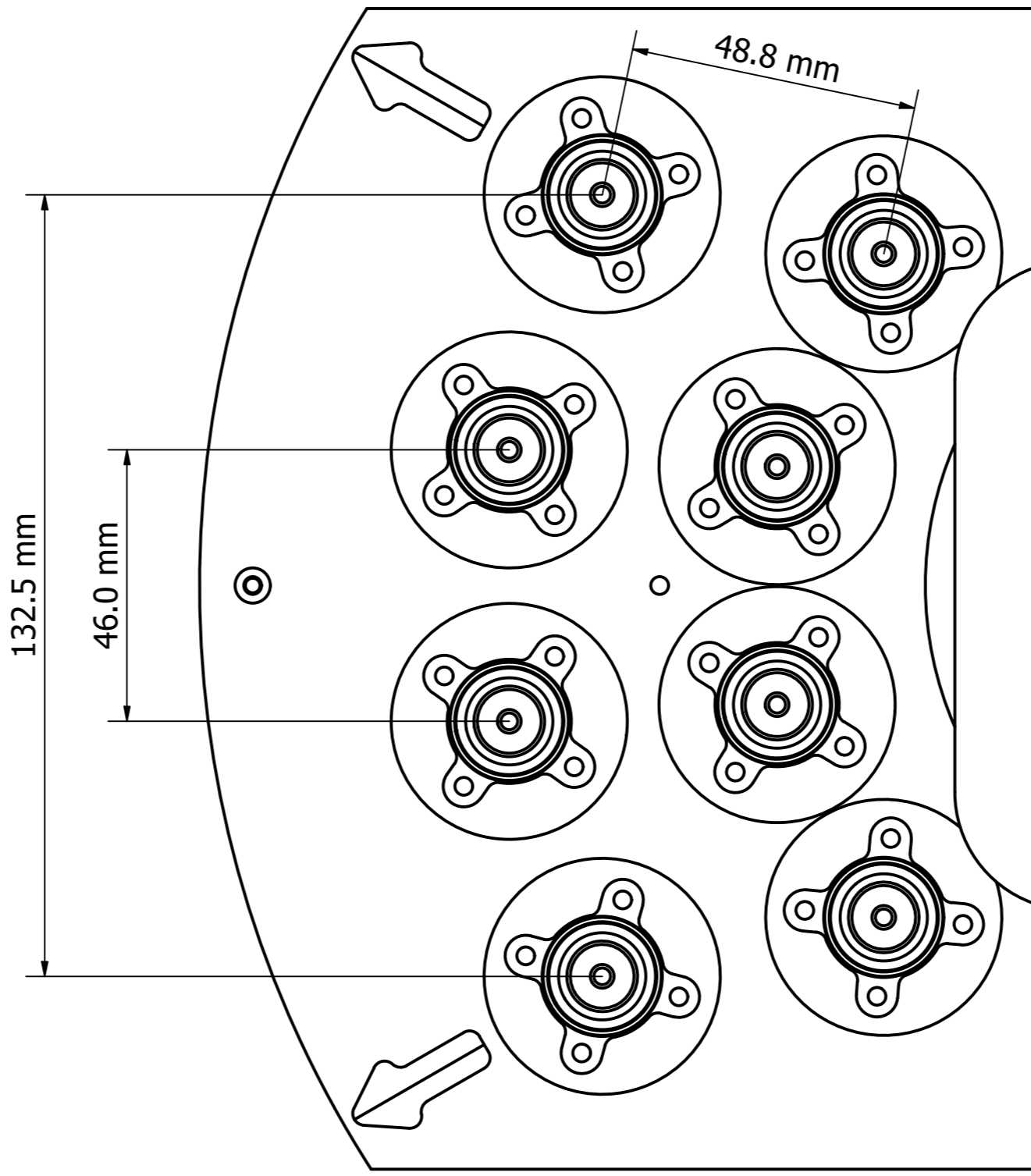
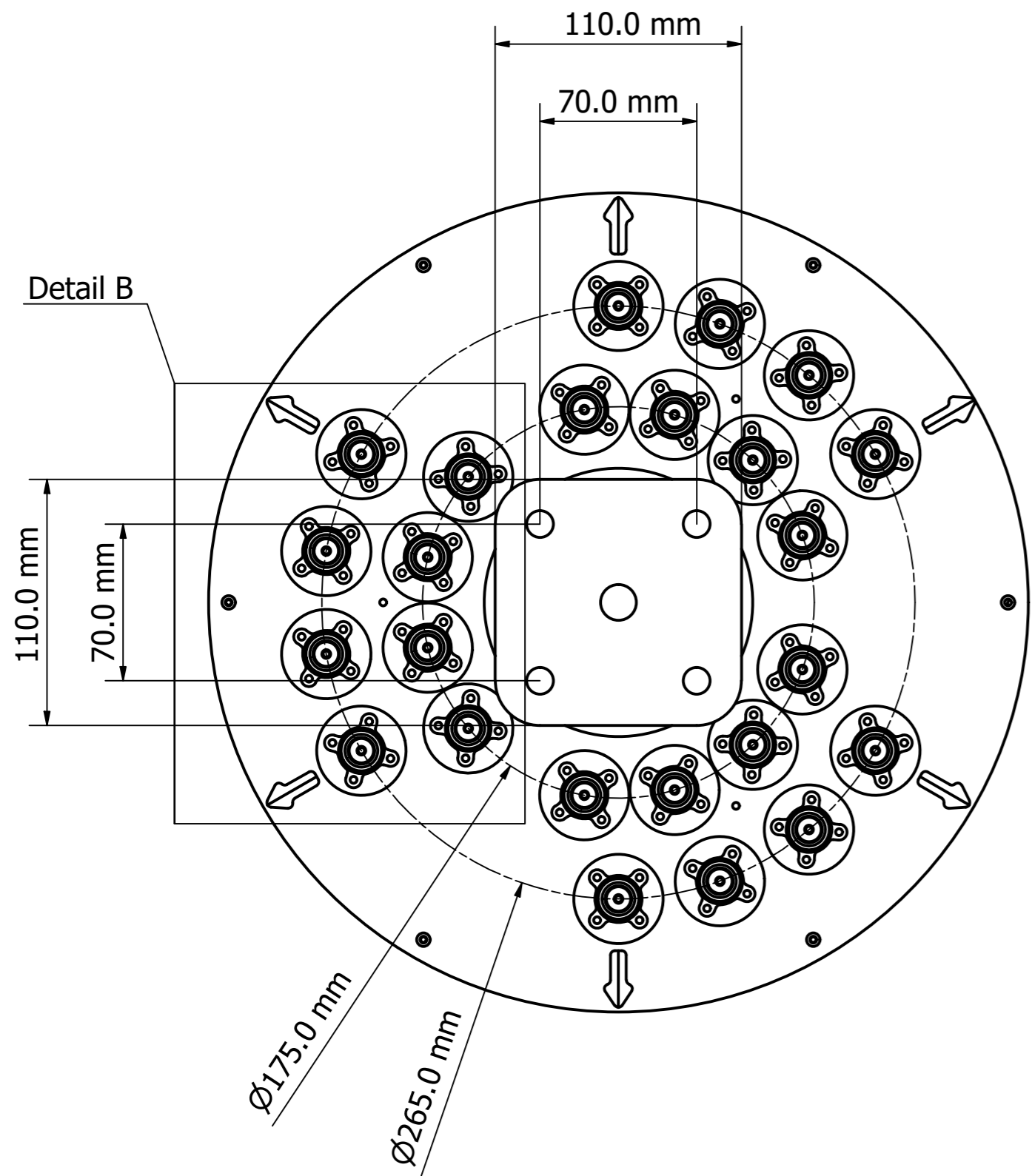
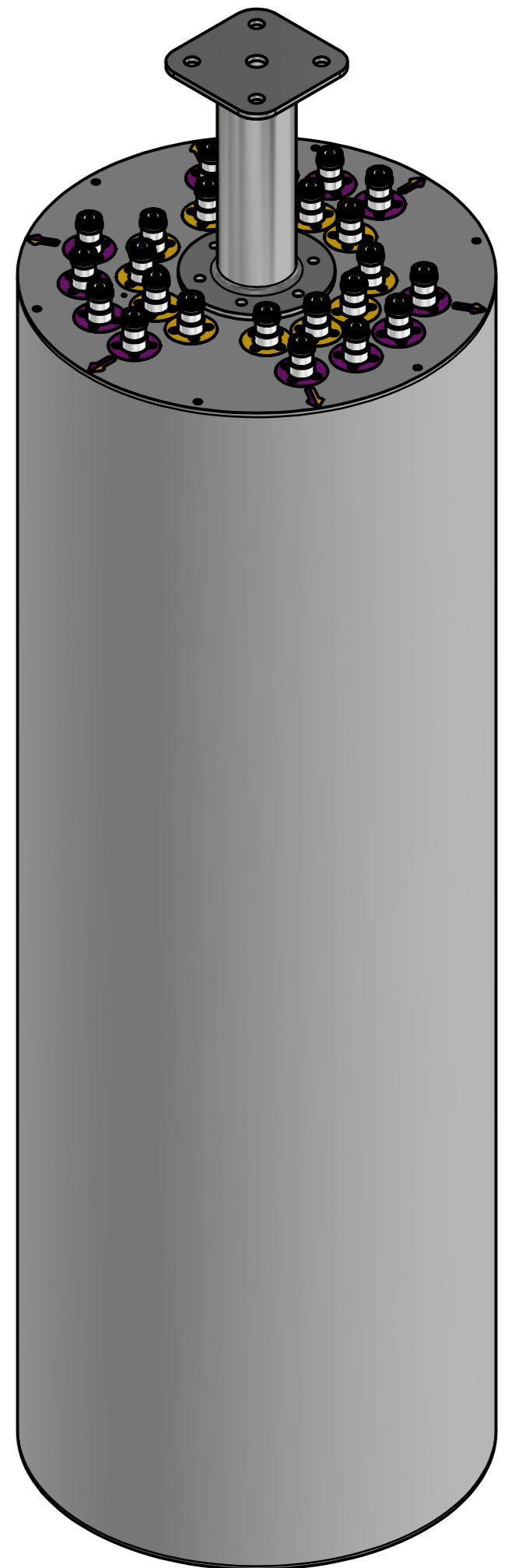



Designed by VIGNESH	Drawing by LAWRENCE	Date 11/4/2024	Approved by PAVEL	Date 24/4/2024	Quantity	Material
						MS-LP-6.6-F2-H2
						MS-LP-6.6-F2-H2 (mm)



Detail B



Designed by VIGNESH	Drawing by LAWRENCE	Date 11/4/2024	Approved by PAVEL	Date 24/4/2024	Quantity	Material
						MS-LP-6.6-F2-H2
						MS-LP-6.6-F2-H2 (mm)