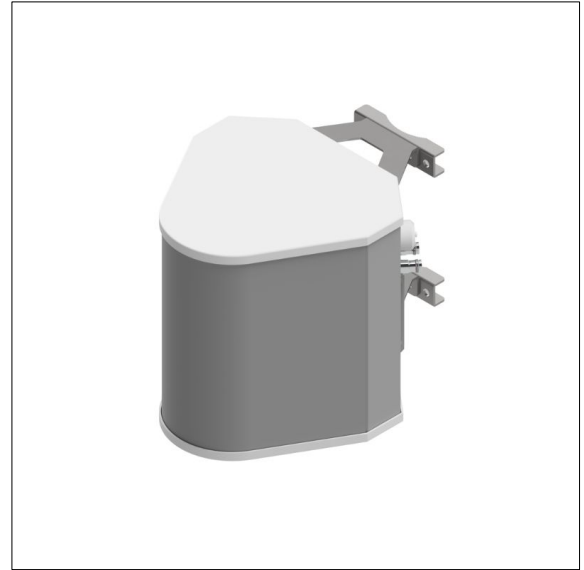


## 3 BEAMS | 3300-4200MHz | 2T2R

Lens Technology Enabled™ Multi-Beam Antenna:

- Utilizes a patented spherical lens design
- 3 isolated cross-polarized beams for F-Band
- 120° coverage with highest beam stability
- 2x2 MIMO capability per beam
- RET AISG 2.0, independent tilt per beam from 0° to 30°
- No beam squinting as compared to Butler matrix antennas
- Low sidelobes for all beam tilts
- Excellent Front-to-Back and CPR performance
- High-capacity solution for stadiums, arenas & special events
- Rugged mechanical design



## ELECTRICAL SPECIFICATIONS, BASTA

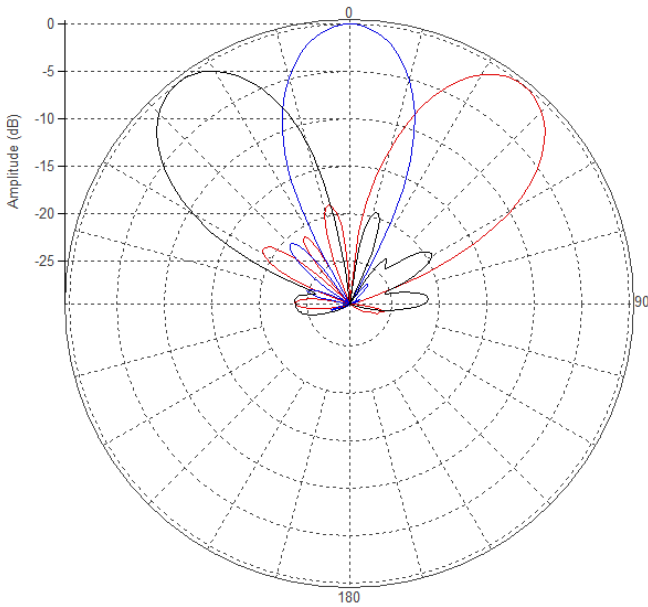
FREQUENCY, MHZ	3300-4200	3700-4200
GAIN (ALL TILTS/PORTS), DBI	16.5+/-0.5	17.2+/-0.5
VSWR	1.5:1	1.5:1
HORIZONTAL COVERAGE, DEG	120	120
HORIZONTAL BEAM CENTERS, DEG	-40+/-2; 0 +/-2; 40+ /-2	
HORIZONTAL BEAMWIDTH, DEG	26.5±1.5	25±1.5
BEAM CROSS-OVER, DB	7.5	8.5
HORIZONTAL SIDELOBES, DB	-17.5	-18
FRONT TO BACK TOTAL POWER AT 180°±30°, DB	28	30
CPR AT BORESIGHT, DB	20	21
CPR AT 10DB BEAMWIDTH, DB	12	12
REMOTE ELECTRICAL BEAM TILT, DEG	0-30	
VERTICAL BEAMWIDTH, DEG	26±1.5	25±1.5
USLS, BEAMPEAK TO 20° ABOVE BEAMPEAK, DB	N/a	N/a
ISOLATION PORT TO PORT - POLARIZATION, DB	28	30
ISOLATION PORT TO PORT - BEAM, DB	26	26
PIM, 3RD ORDER, 2X20W, DBC	-153	
MAX. POWER PER PORT, W	150 (at 40°C ambient temperature)	

# ELECTRICAL SPECIFICATIONS

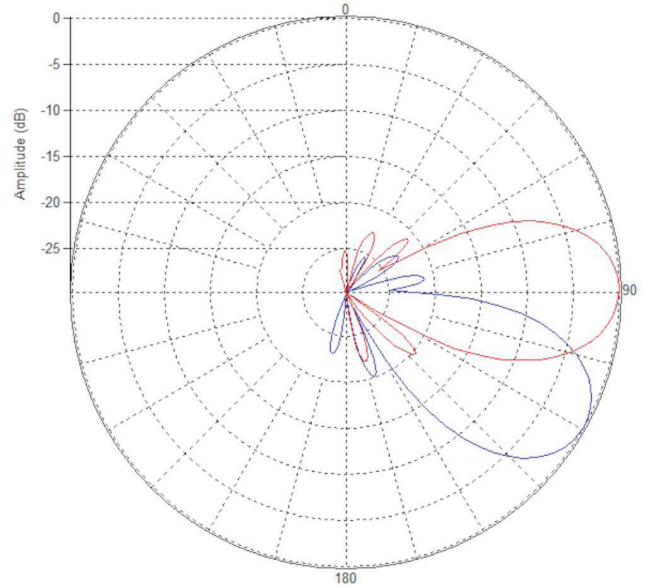
<b>IMPEDANCE</b>	50 Ohm
<b>OPERATING FREQUENCY BAND</b>	3300-4200MHz
<b>POLARIZATION</b>	±45°
<b>NUMBER OF BEAMS</b>	3
<b>NUMBER OF PORTS PER BEAM</b>	2
<b>CONNECTOR QUANTITY AND TYPE</b>	6 x 4.3-10 female
<b>TOTAL POWER, MAX</b>	1200W at 40°C

# PATTERN RESULTS

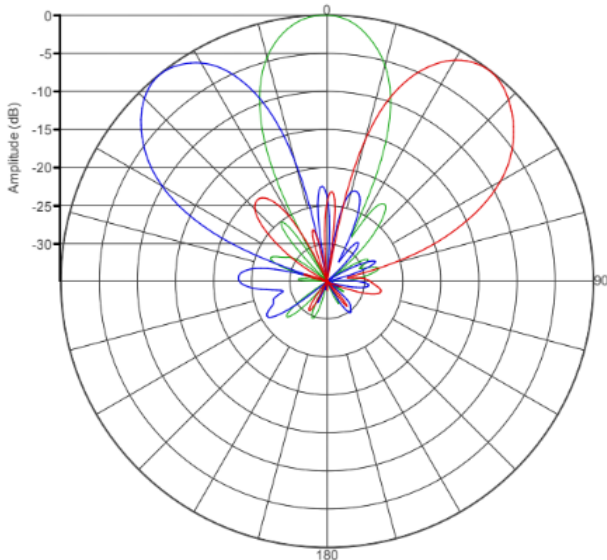
**Horizontal Beam Pattern (3.5GHz)**



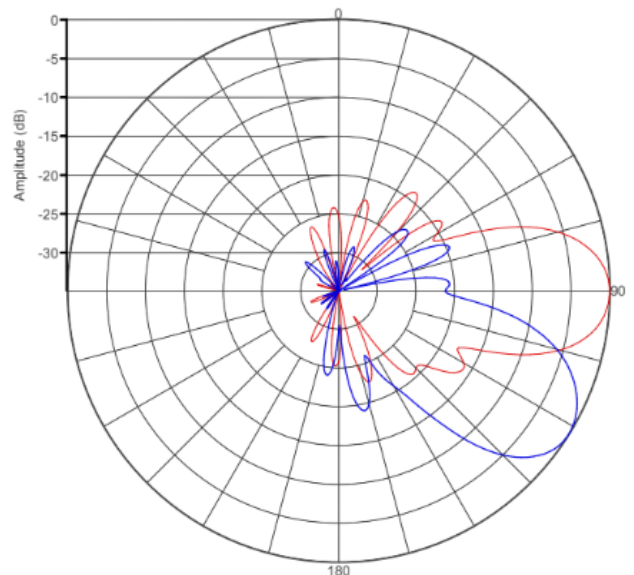
**Vertical Pattern at 0° and 30° Tilt (3.5GHz)**



**Horizontal Beam Pattern (3.9GHz)**

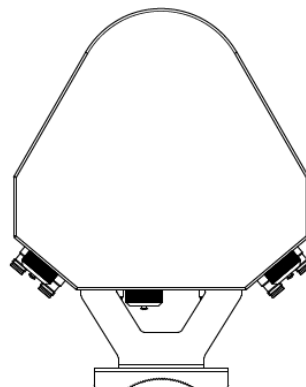
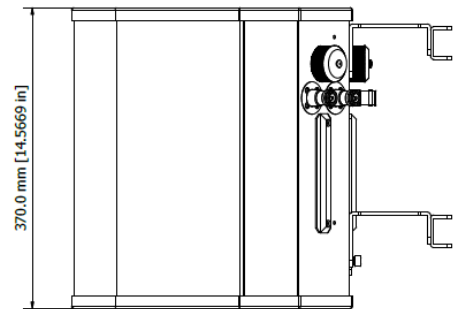
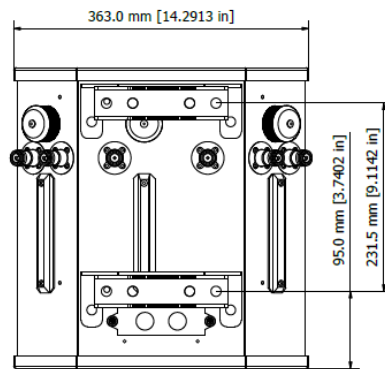
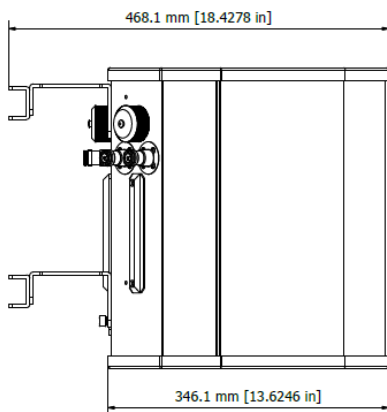


**Vertical Pattern at 0° and 30° Tilt (3.9GHz)**



# MECHANICAL SPECIFICATIONS

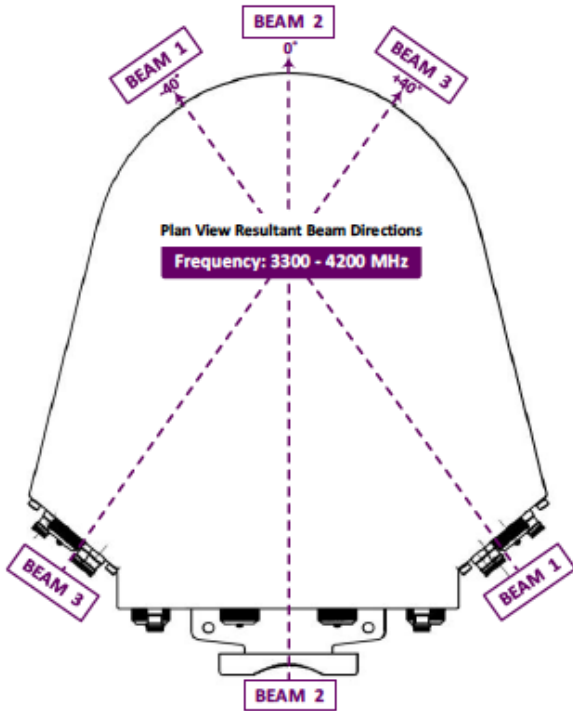
<b>ANTENNA WEIGHT (WITHOUT BRACKET)</b>	13.2lbs	6kg
<b>ANTENNA WEIGHT (WITH BRACKET)</b>	16.7lbs	7.58kg
<b>HEIGHT</b>	14.5 inch	36.8cm
<b>WIDTH</b>	14.2 inch	36cm
<b>DEPTH</b>	18.4 inch	46.7cm
<b>RADOME MATERIAL</b>	Polycarbonate	
<b>RADOME COLOR</b>	RAL 7005	
<b>WIND LOADING @150KM/HR FRONTAL</b>	85N	19lbf
<b>WIND LOADING @150KM/HR LATERAL</b>	117N	26lbf
<b>WIND LOADING @150KM/HR REAR</b>	100N	22.4lbf



# ENVIRONMENTAL RATINGS

HUMIDITY	95% RH @ +30°C
TEMPERATURE	-40°C to +70°C

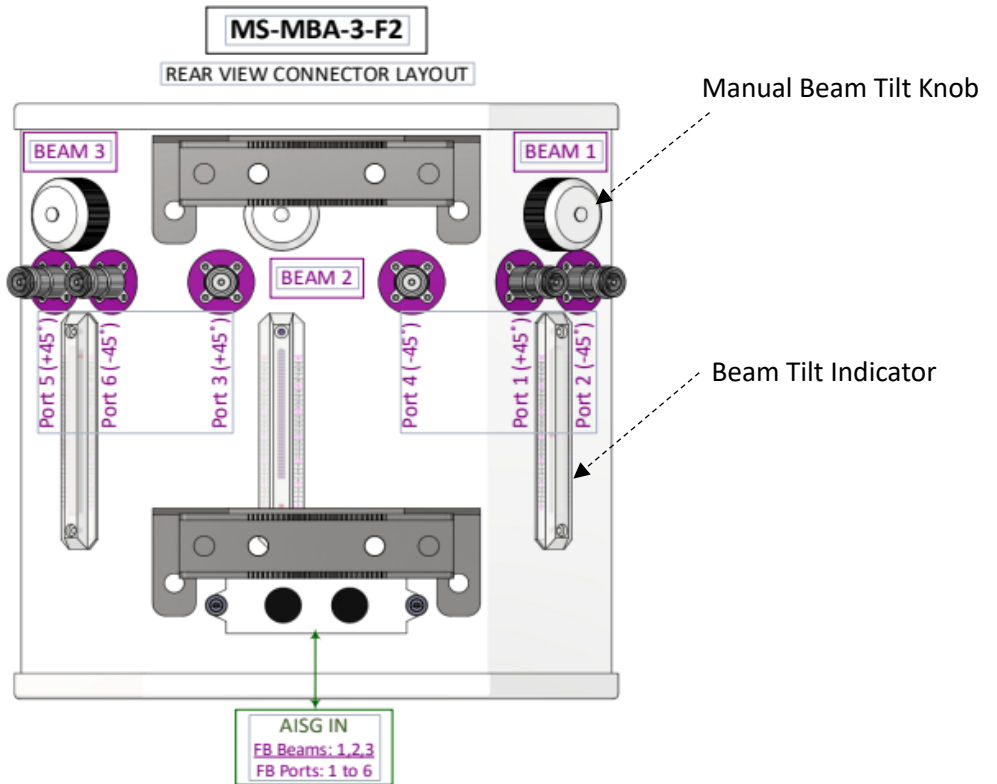
# BEAM, PORT, RF CONNECTOR & RET LAYOUT



Antenna top view

BEAM 3		BEAM 2		BEAM 1	
Port 5	Port 6	Port 3	Port 4	Port 1	Port 2
(+45°)	(-45°)	(+45°)	(-45°)	(+45°)	(-45°)

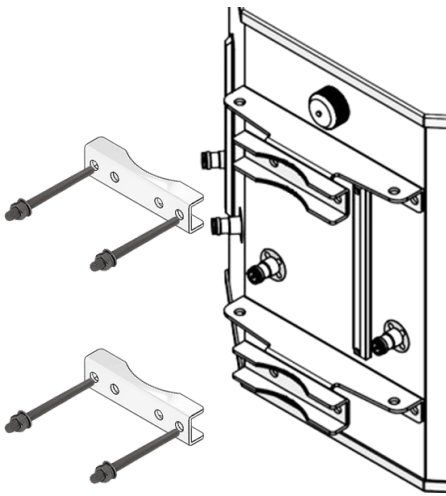
1.20 Connector Ports Table



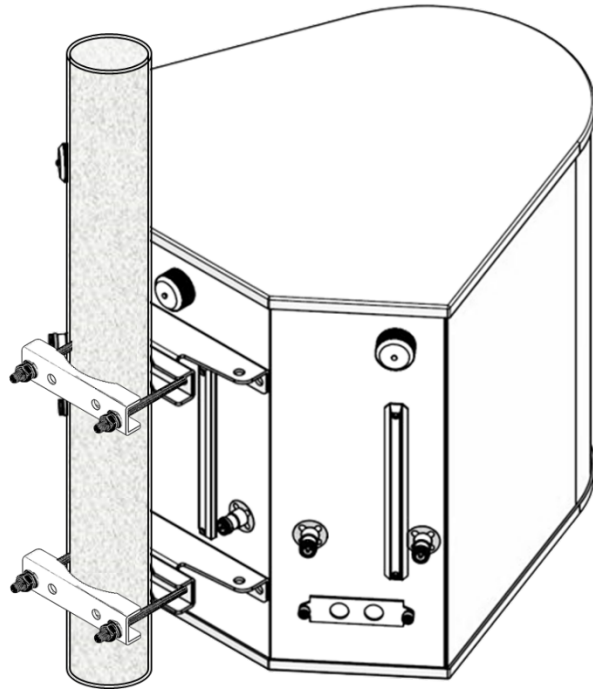
Antenna rear view

## MOUNTING

<b>COMPATIBLE PIPE DIAMETER</b>	2.4 – 4.5 inch	6.1 – 11.4 cm
<b>BRACKET WEIGHT</b>	3.48 lbs	1.58 kg



*Before Installation*



*After Installation*

## REVISION HISTORY

DATE	DOCUMENT	
11/04/2024	Initial BASTA Datasheet Released	