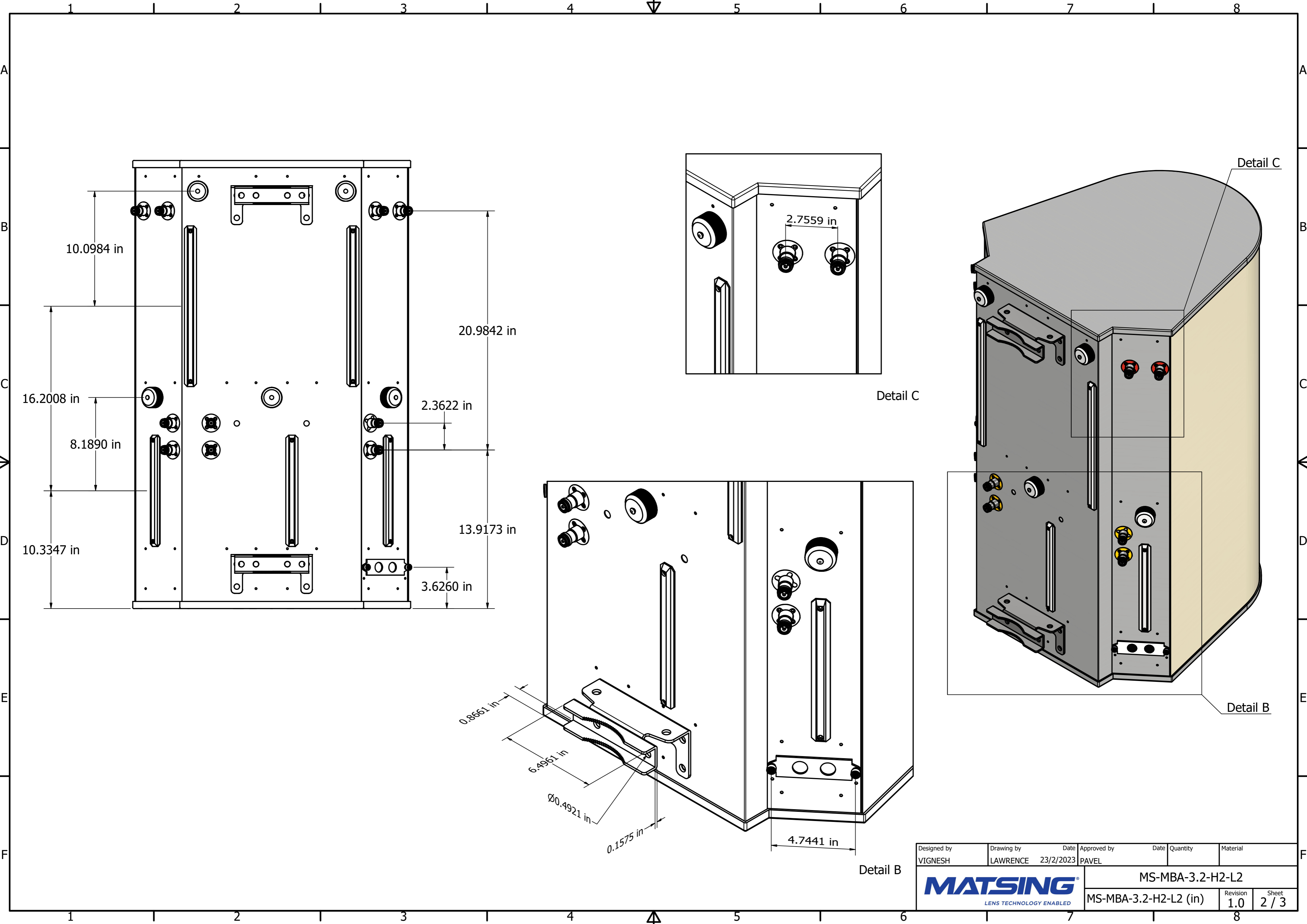

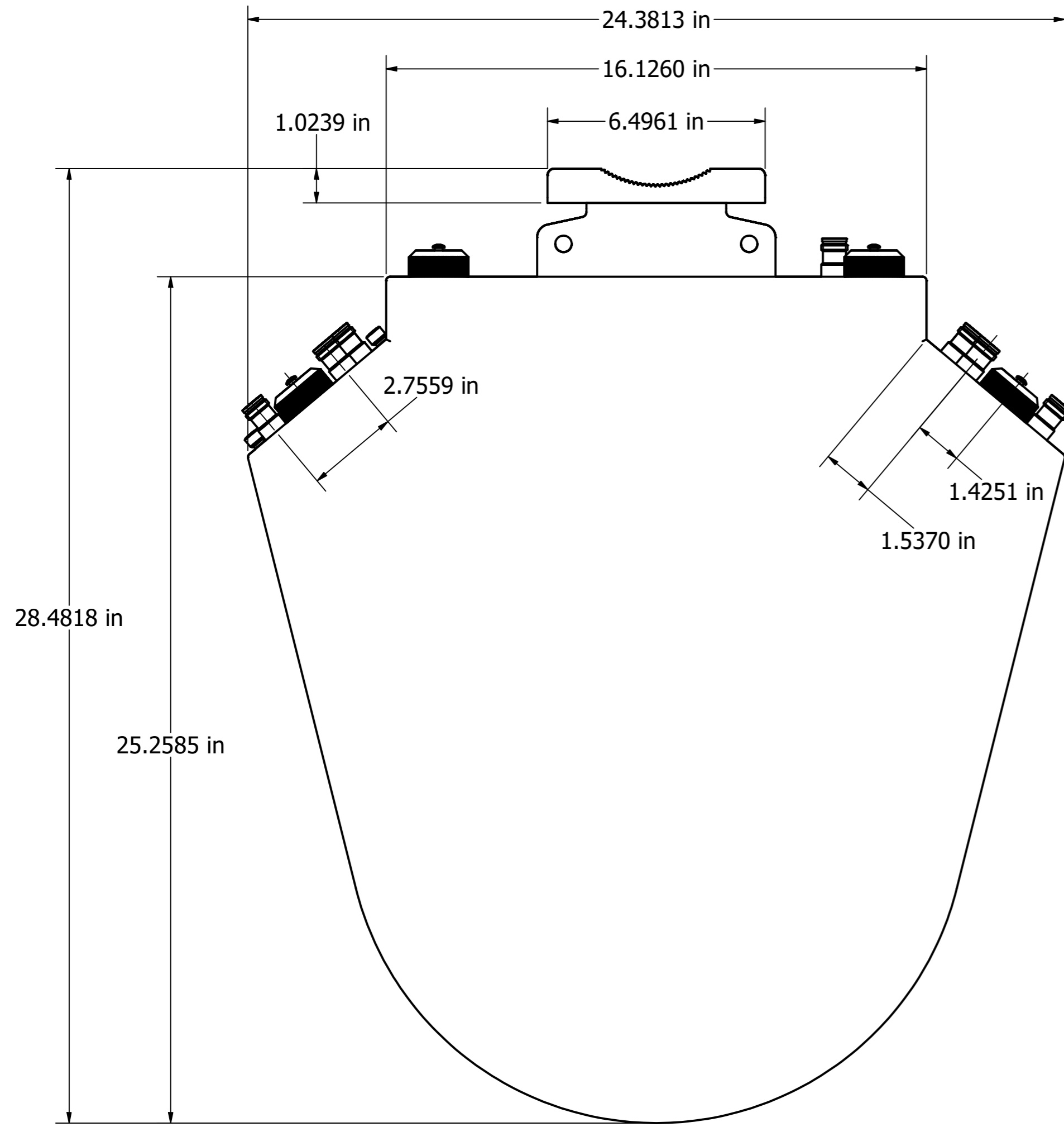


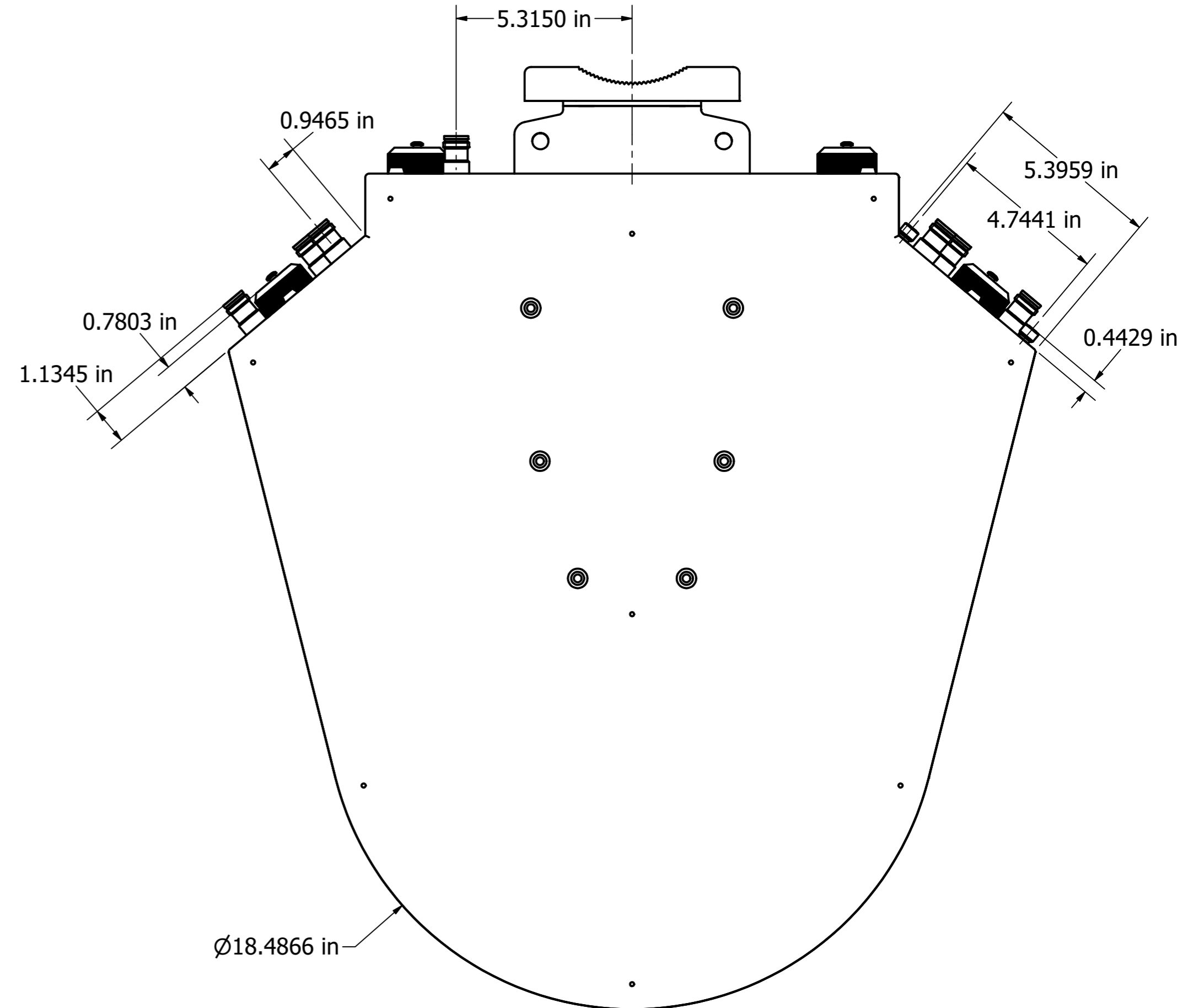
Designed by VIGNESH	Drawing by LAWRENCE	Date 23/2/2023	Approved by PAVEL	Date	Quantity	Material
MATSING LENS TECHNOLOGY ENABLED						MS-MBA-3.2-H2-L2
MS-MBA-3.2-H2-L2 (in)					Revision 1.0	Sheet 1 / 3



Designed by VIGNESH	Drawing by LAWRENCE	Date 23/2/2023	Approved by PAVEL	Date	Quantity	Material
			MS-MBA-3.2-H2-L2			
			MS-MBA-3.2-H2-L2 (in)	Revision 1.0	Sheet 2 / 3	



Top View



Bottom View

Designed by VIGNESH	Drawing by LAWRENCE	Date 23/2/2023	Approved by PAVEL	Date	Quantity	Material
			MS-MBA-3.2-H2-L2			
			MS-MBA-3.2-H2-L2 (in)		Revision 1.0	Sheet 3 / 3