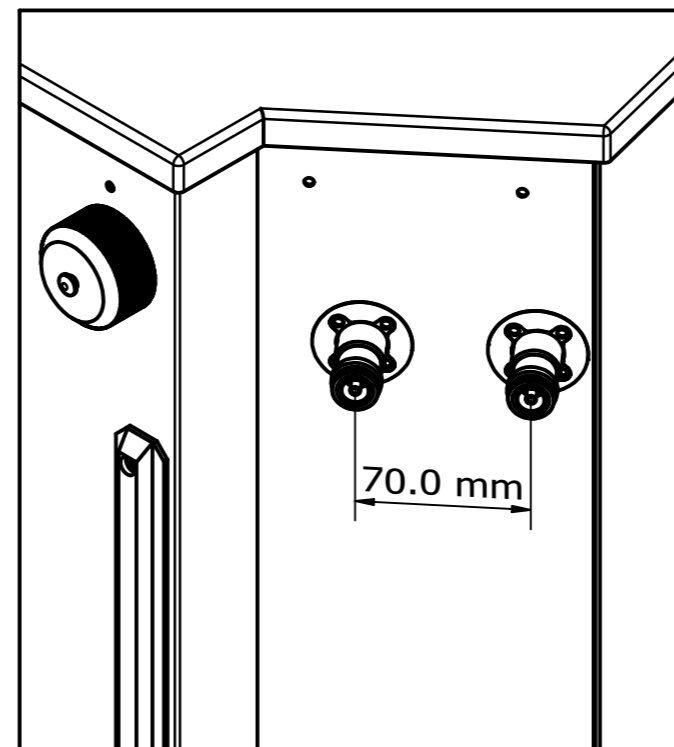
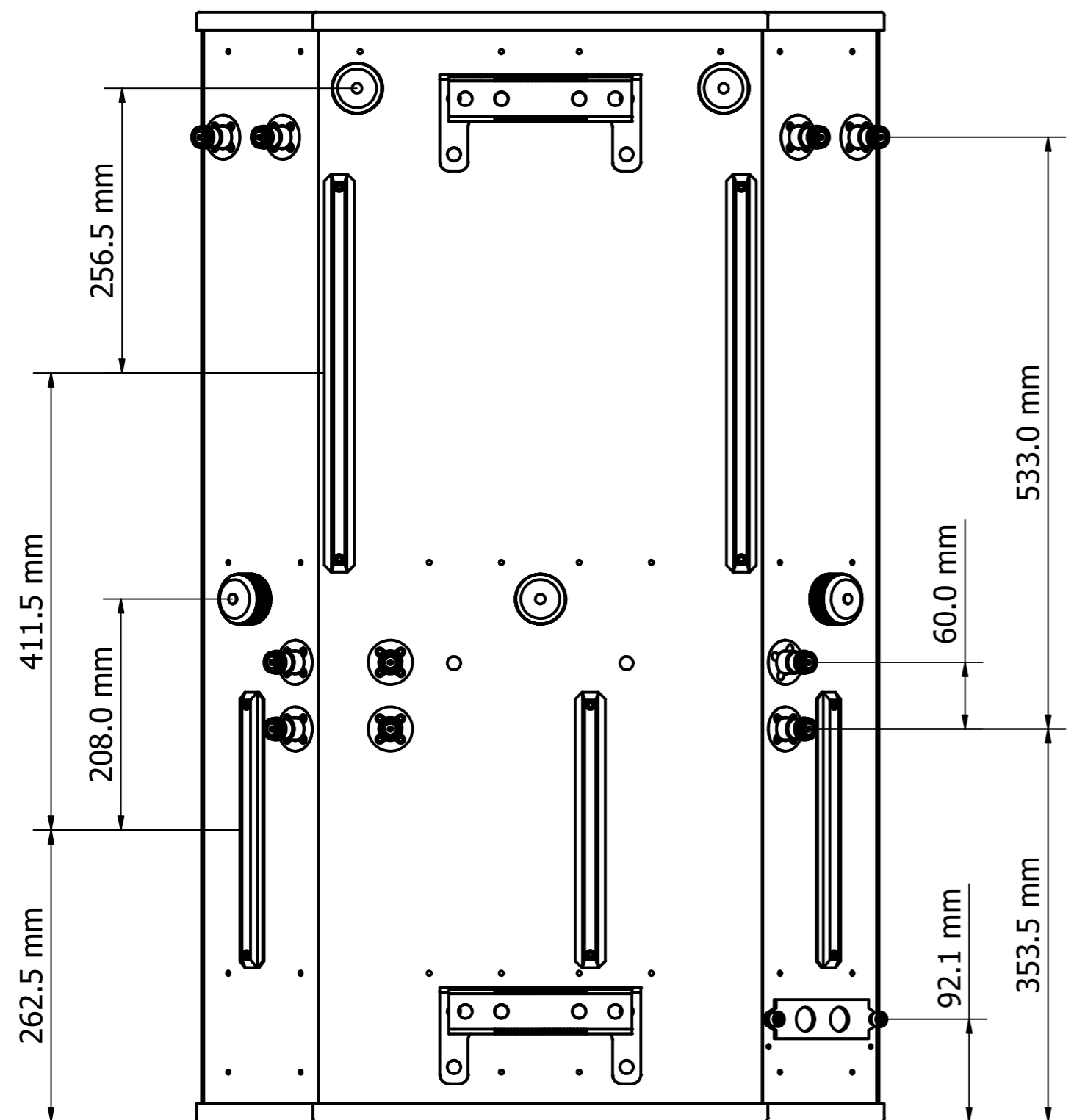
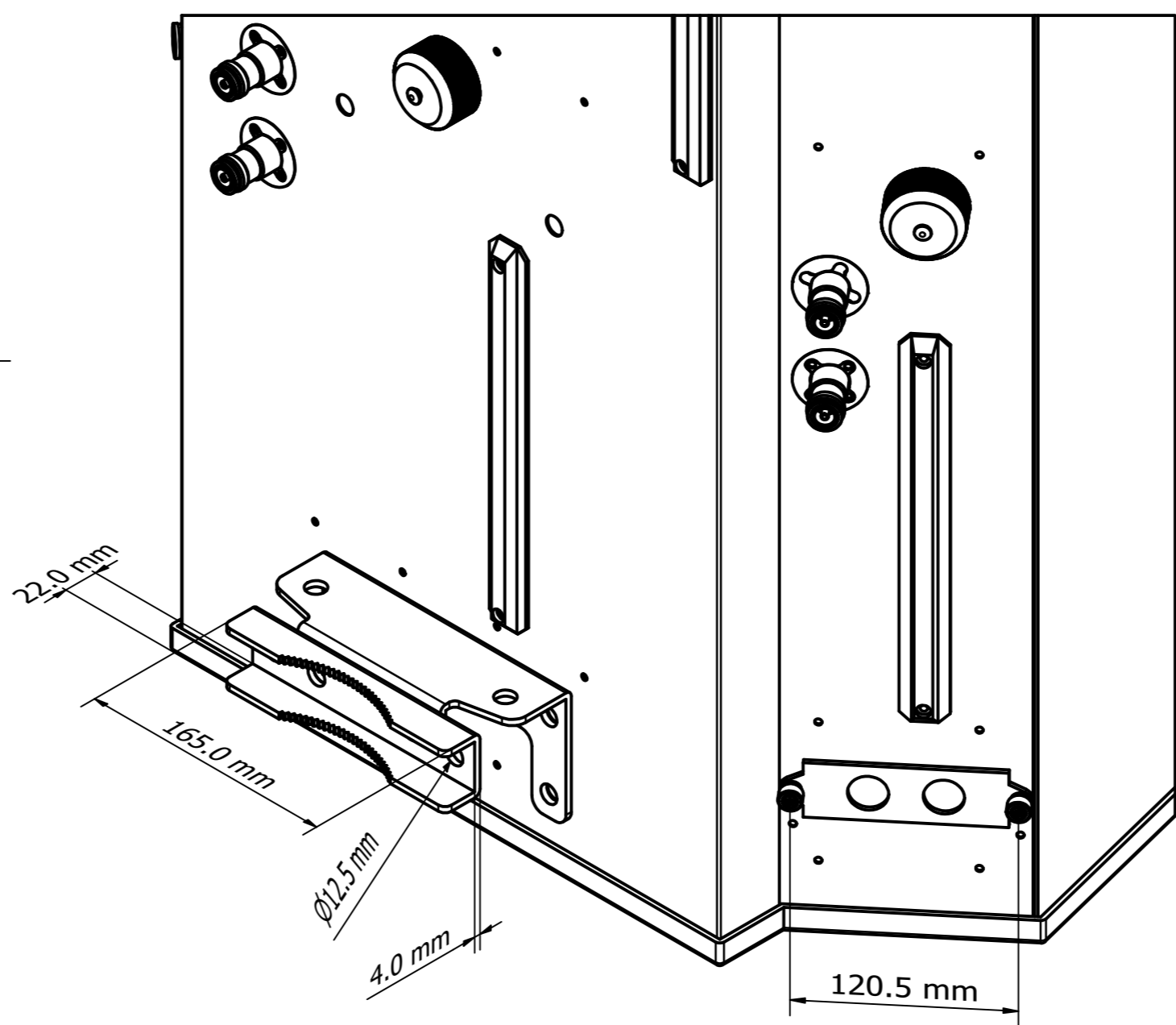
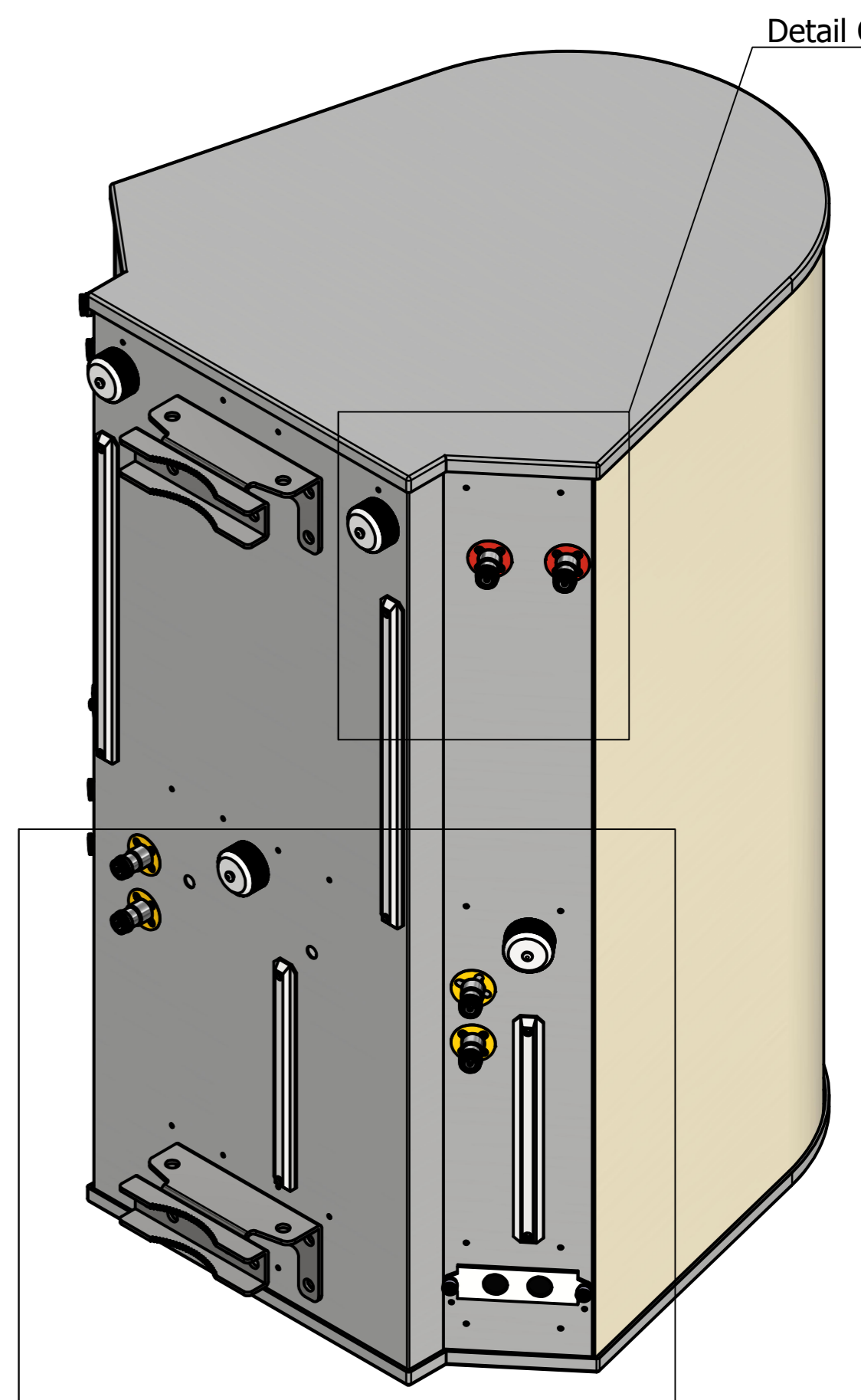


Designed by VIGNESH	Drawing by LAWRENCE	Date 23/2/2023	Approved by PAVEL	Date 3/1/2024	Quantity	Material
MATSING						MS-MBA-3.2-H2-L2
LENS TECHNOLOGY ENABLED						MS-MBA-3.2-H2-L2 (mm)
					Revision 1.0	Sheet 1 / 3

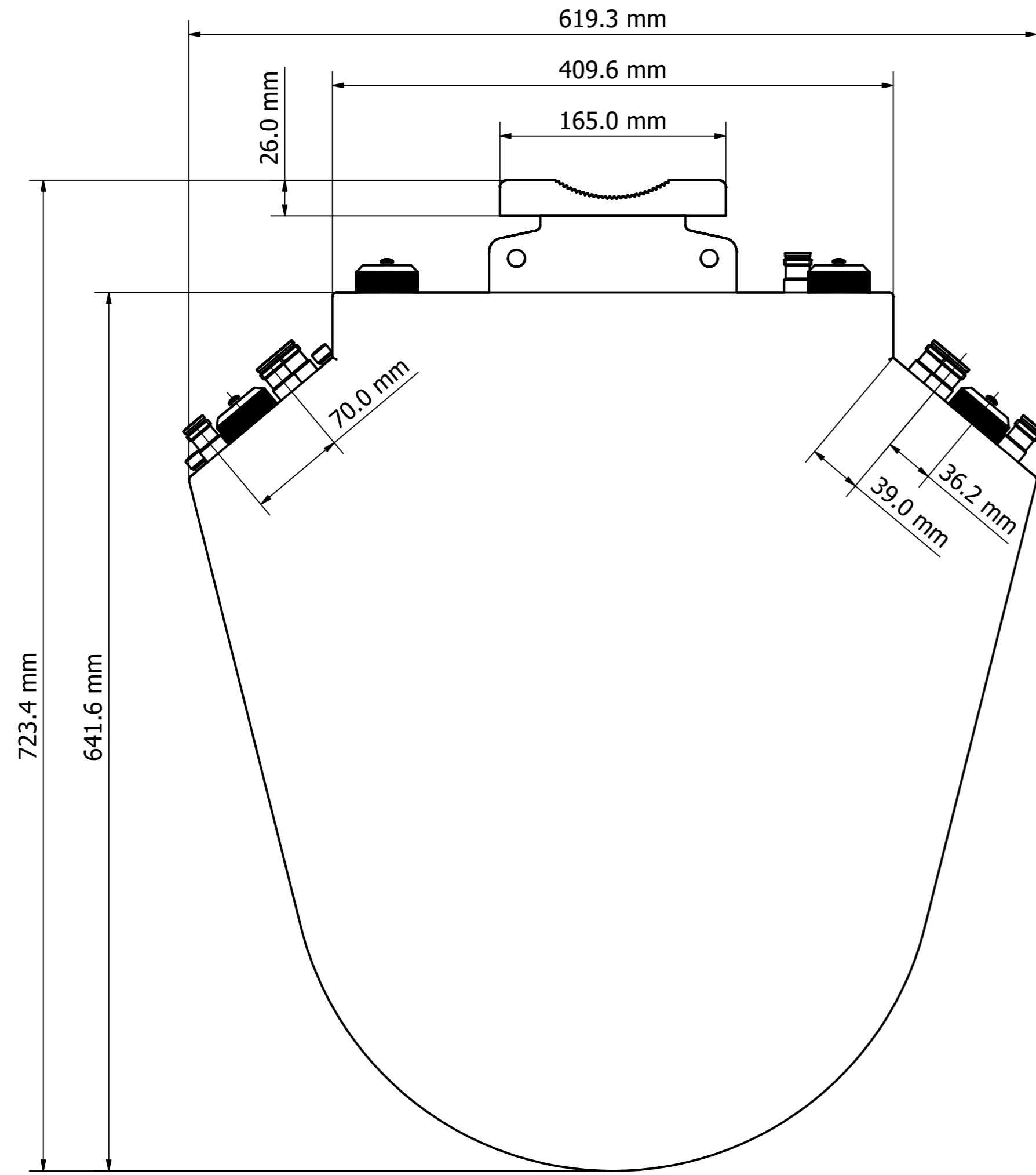


Detail C

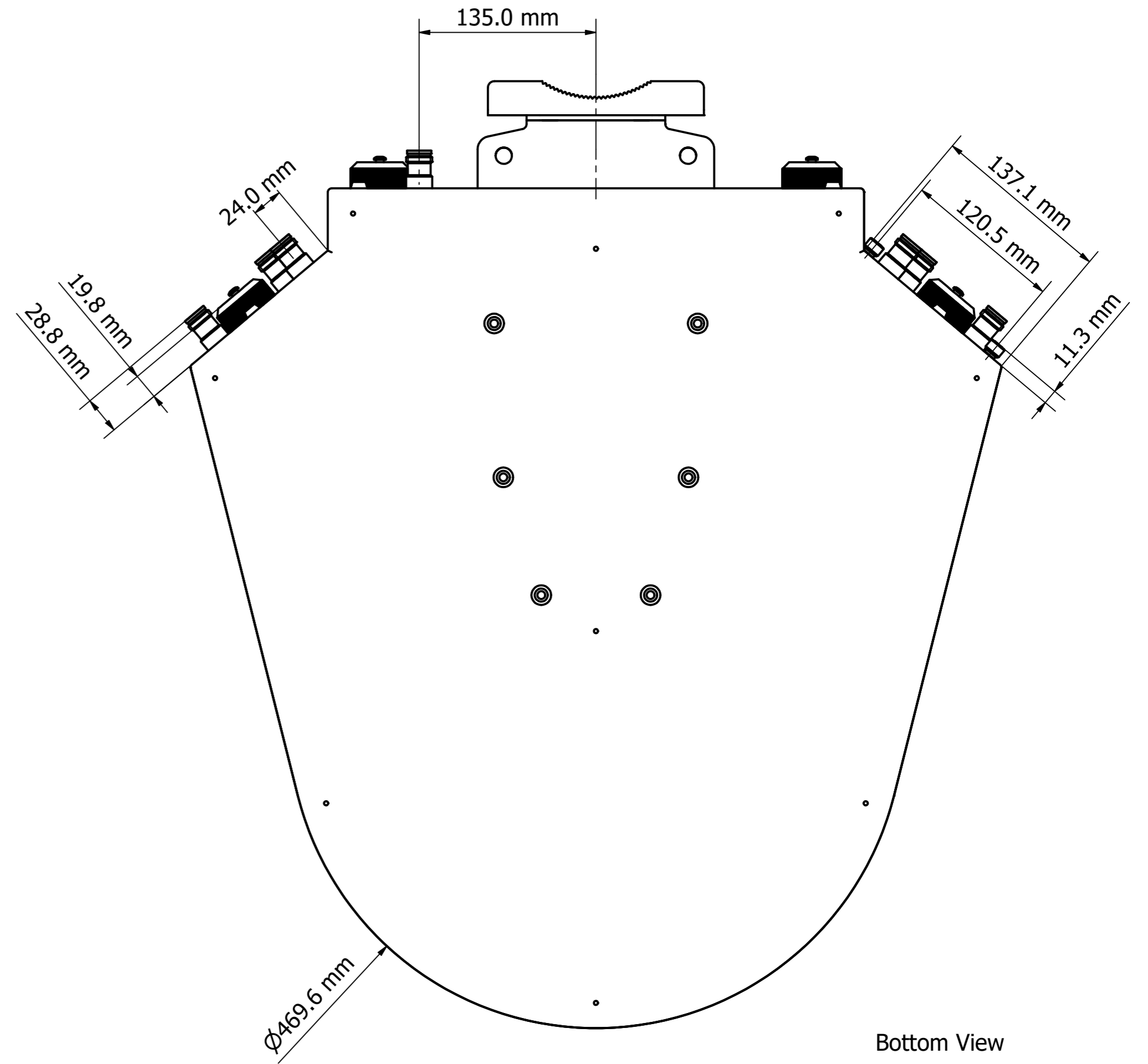


Detail B

Designed by VIGNESH	Drawing by LAWRENCE	Date 23/2/2023	Approved by PAVEL	Date 3/1/2024	Quantity	Material	
MATSING LENS TECHNOLOGY ENABLED						MS-MBA-3.2-H2-L2	
MS-MBA-3.2-H2-L2 (mm)						Revision 1.0	Sheet 2 / 3



Top View



Bottom View

Designed by VIGNESH	Drawing by LAWRENCE	Date 23/2/2023	Approved by PAVEL	Date 3/1/2024	Quantity	Material
MATSING LENS TECHNOLOGY ENABLED						MS-MBA-3.2-H2-L2
MS-MBA-3.2-H2-L2 (mm)					Revision 1.0	Sheet 3 / 3