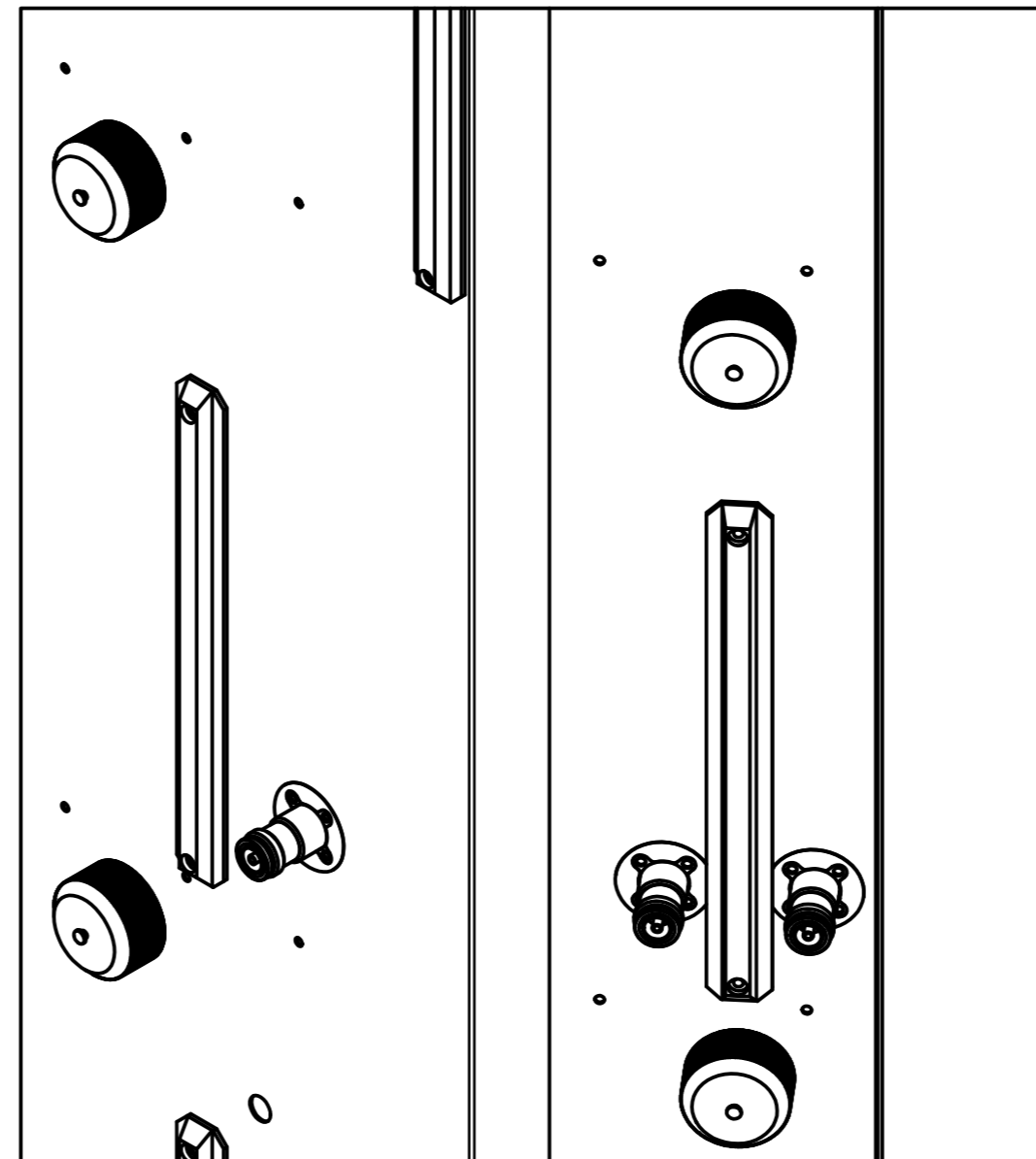
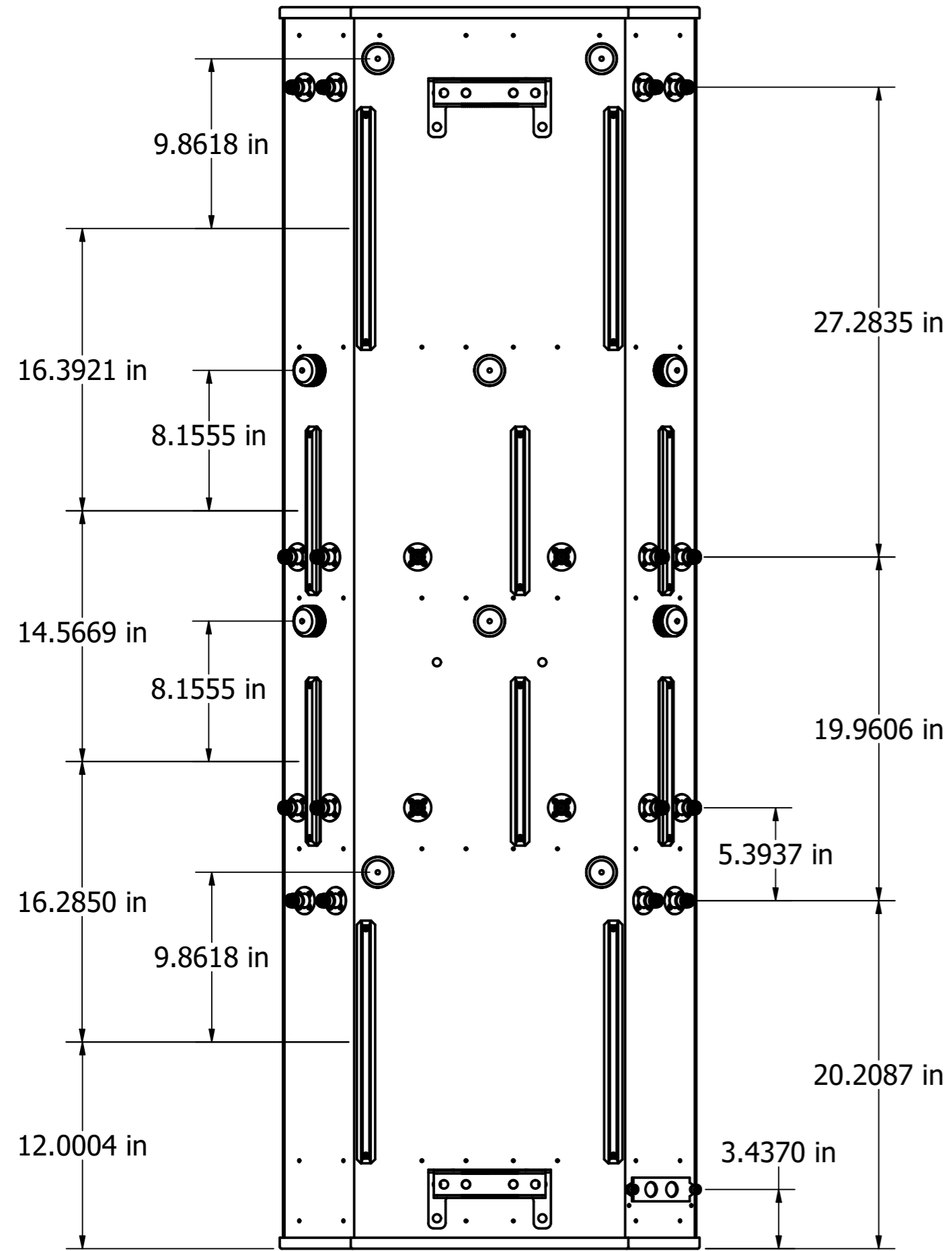
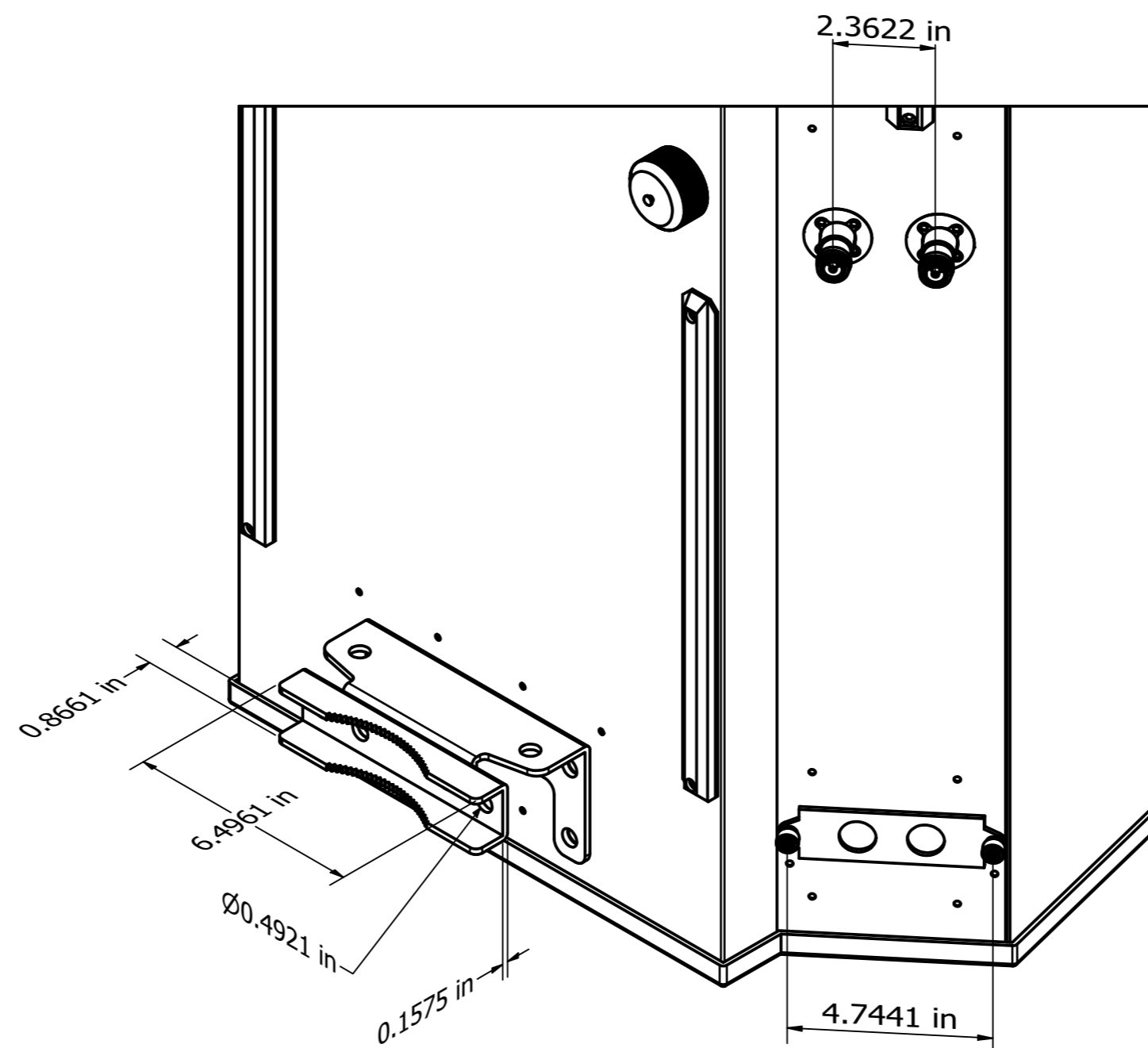


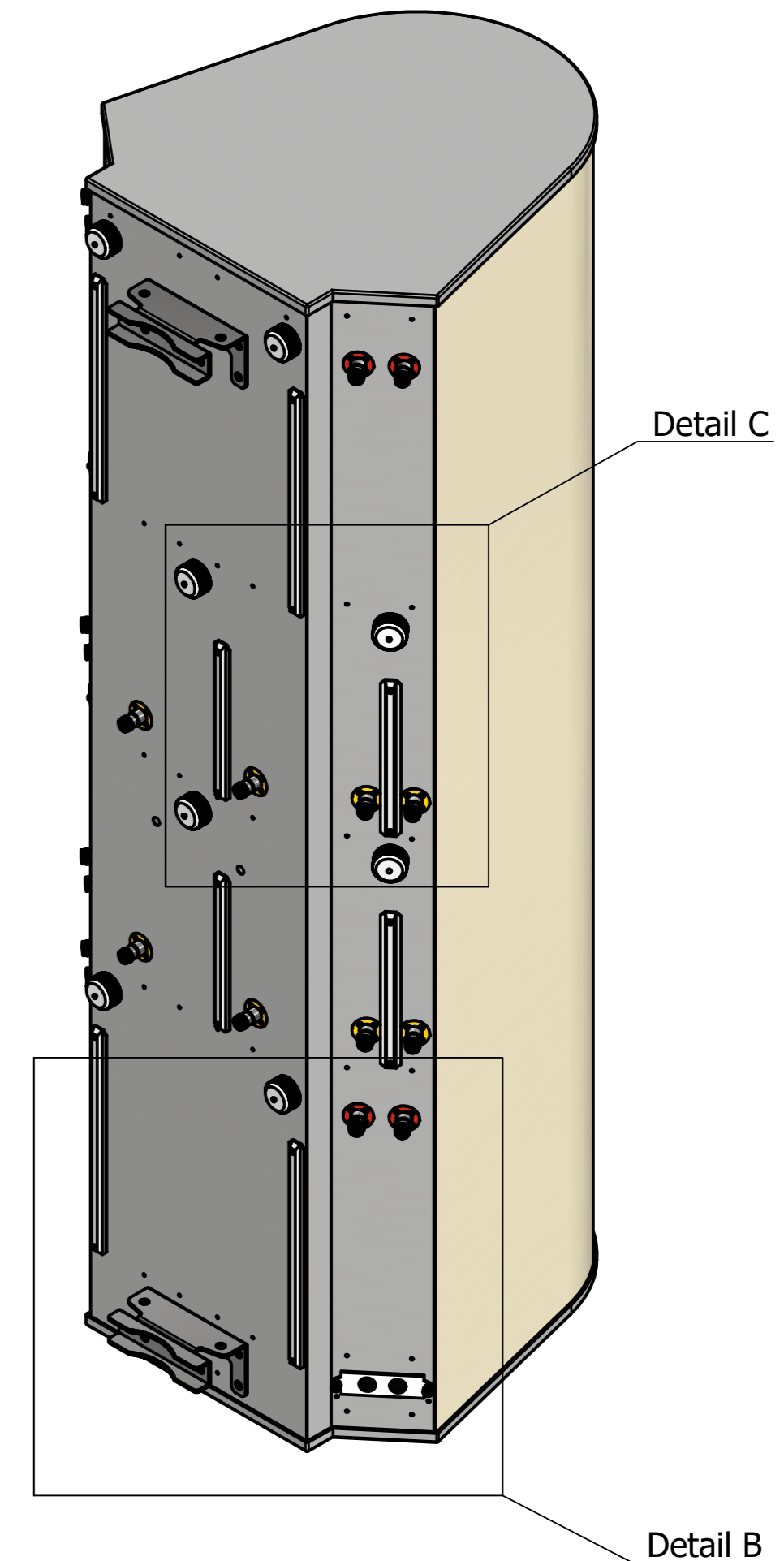
Designed by PAVEL	Drawing by LAWRENCE	Date 5/4/2023	Approved by PAVEL	Date 8/8/2024	Quantity	Material
MATSING						MS-MBA-3.2-H4-T4
LENS TECHNOLOGY ENABLED						MS-MBA-3.2-H4-T4 (in)
					Revision 3.0	Sheet 1 / 3



Detail C



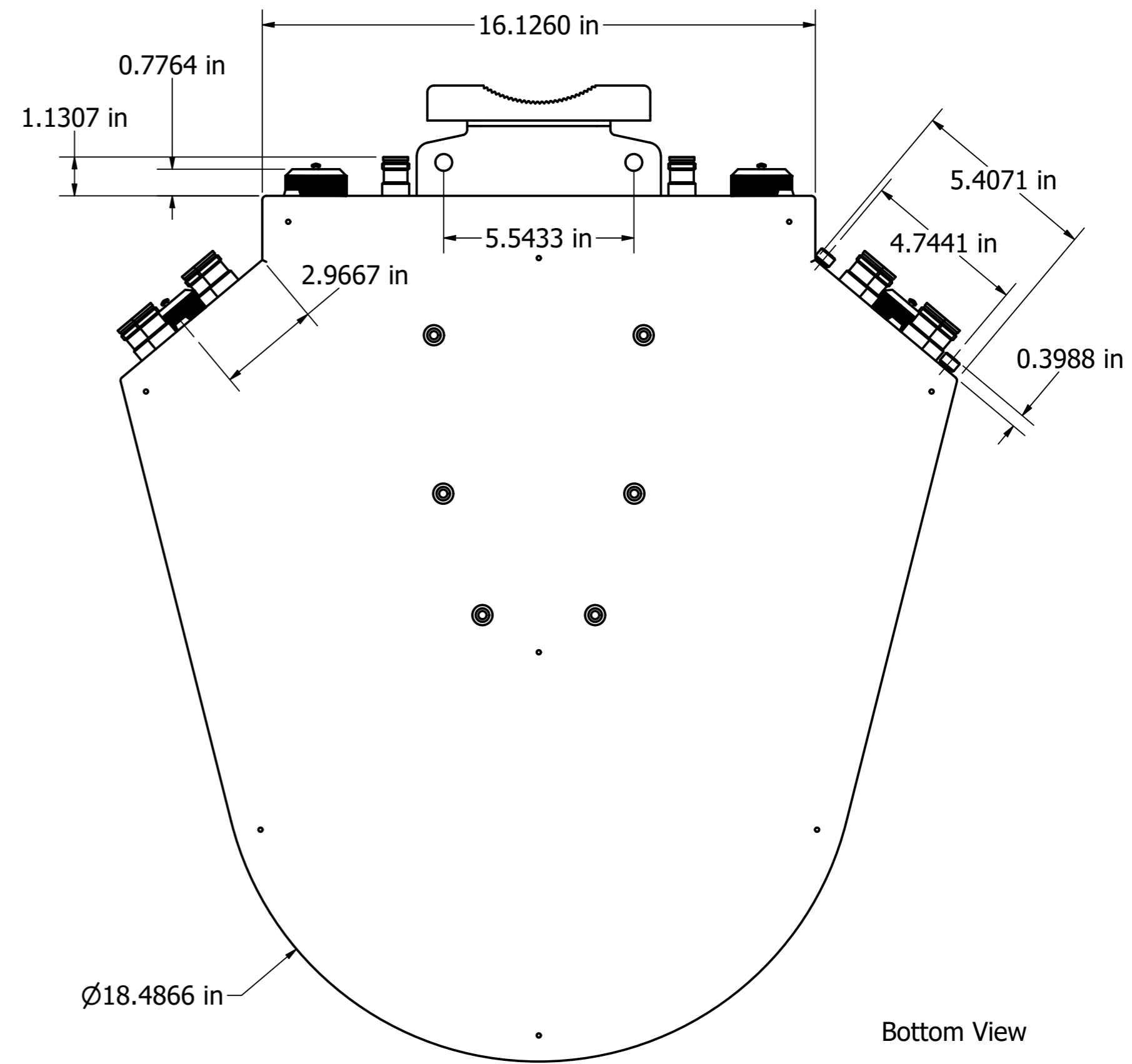
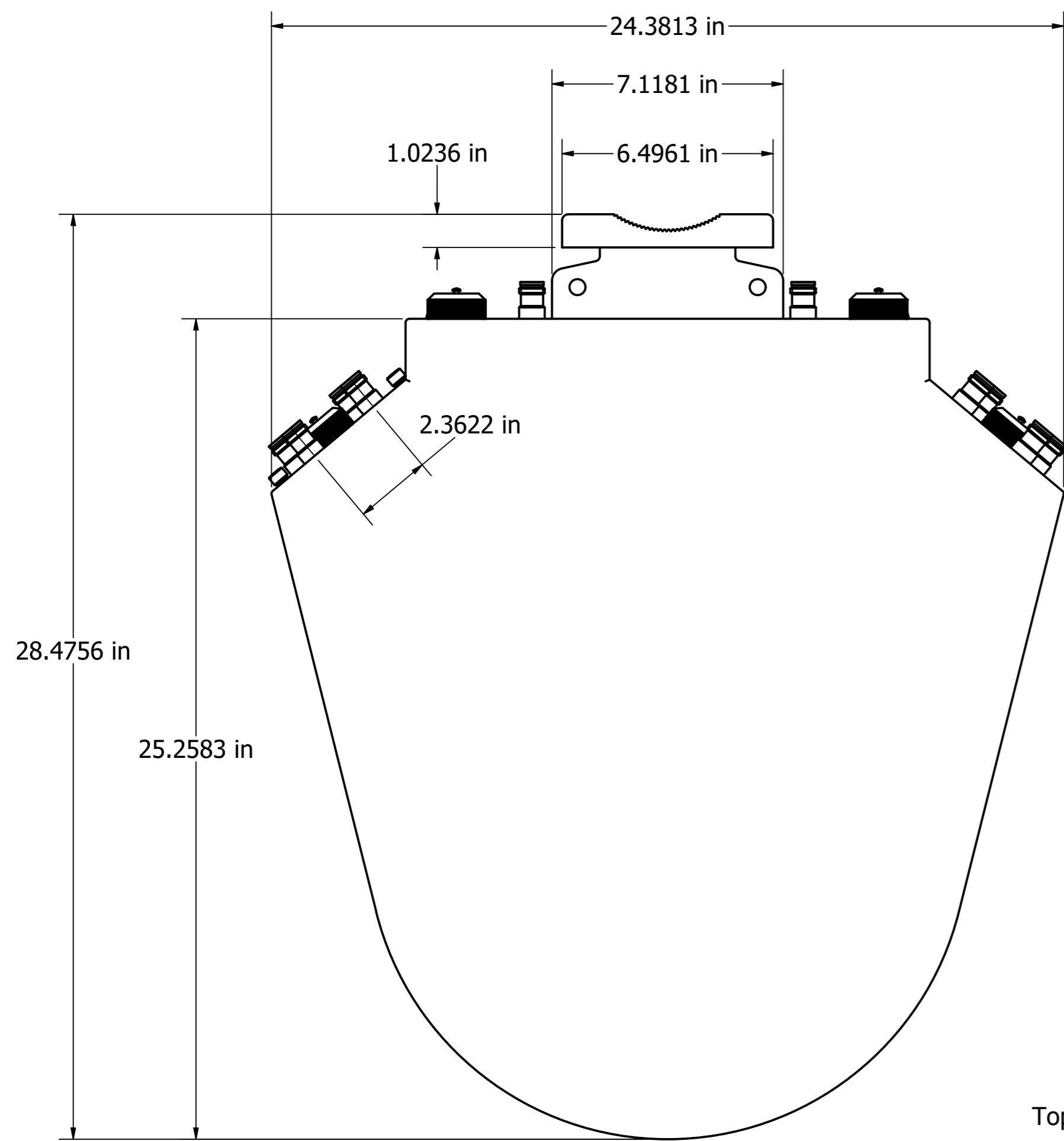
Detail B



Detail C

Detail B

Designed by	Drawing by	Date	Approved by	Date	Quantity	Material	
PAVEL	LAWRENCE	5/4/2023	PAVEL	8/8/2024			
MATSING LENS TECHNOLOGY ENABLED							
MS-MBA-3.2-H4-T4						Revision	Sheet
MS-MBA-3.2-H4-T4 (in)						3.0	2 / 3



Designed by	Drawing by	Date	Approved by	Date	Quantity	Material
PAVEL	LAWRENCE	5/4/2023	PAVEL	8/8/2024		
MATSING LENS TECHNOLOGY ENABLED						MS-MBA-3.2-H4-T4
					MS-MBA-3.2-H4-T4 (in)	Revision 3.0
						Sheet 3 / 3