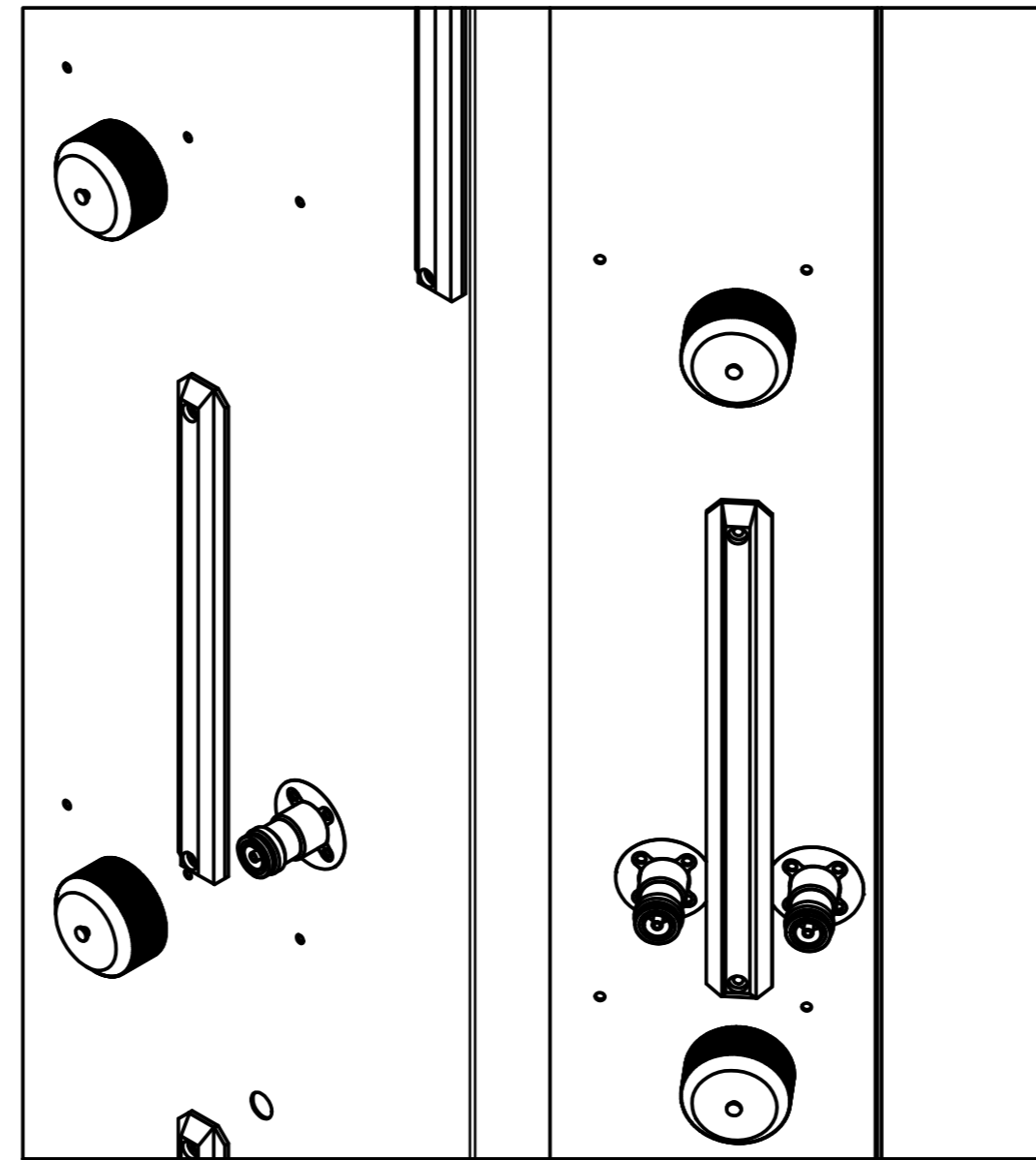
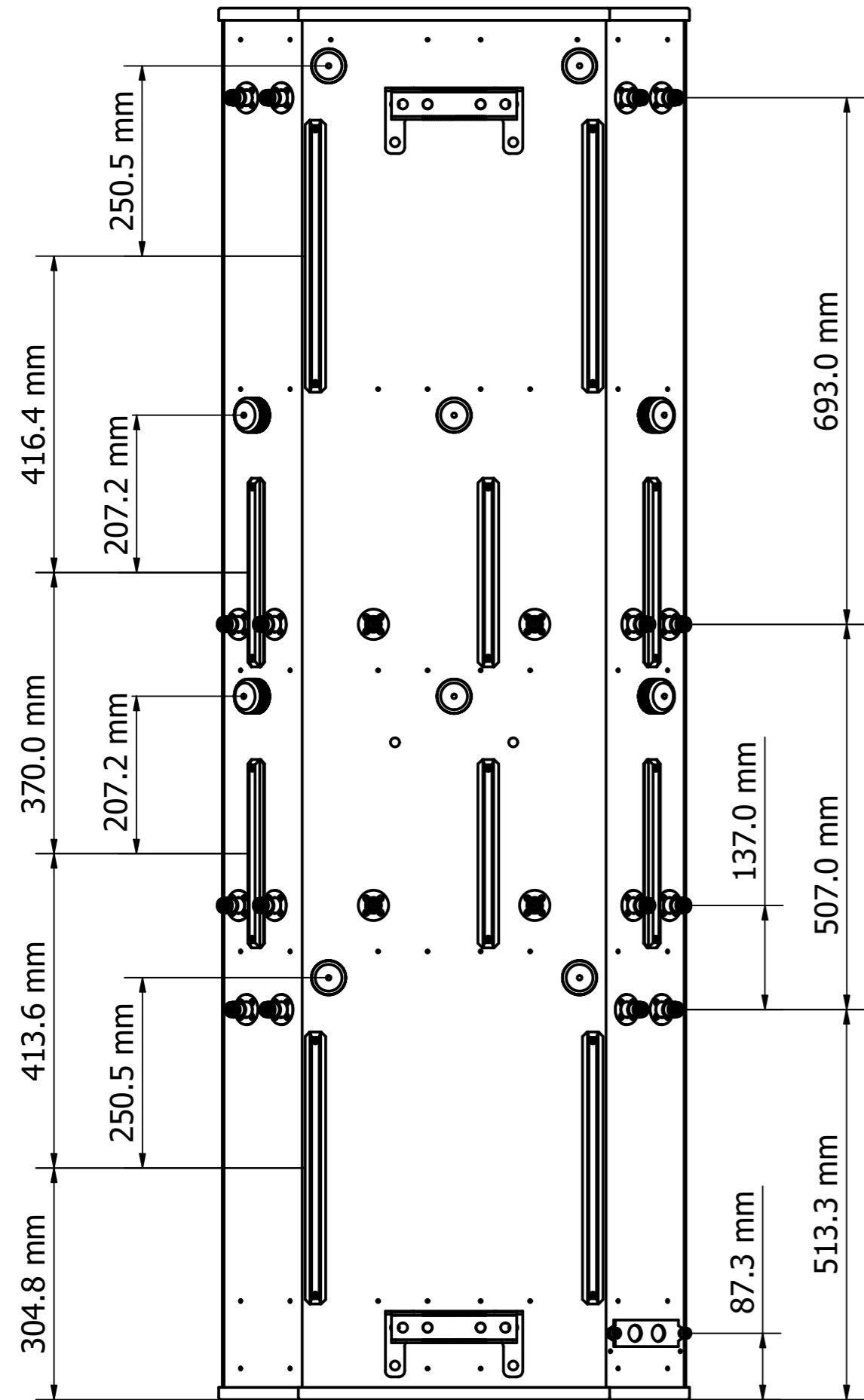
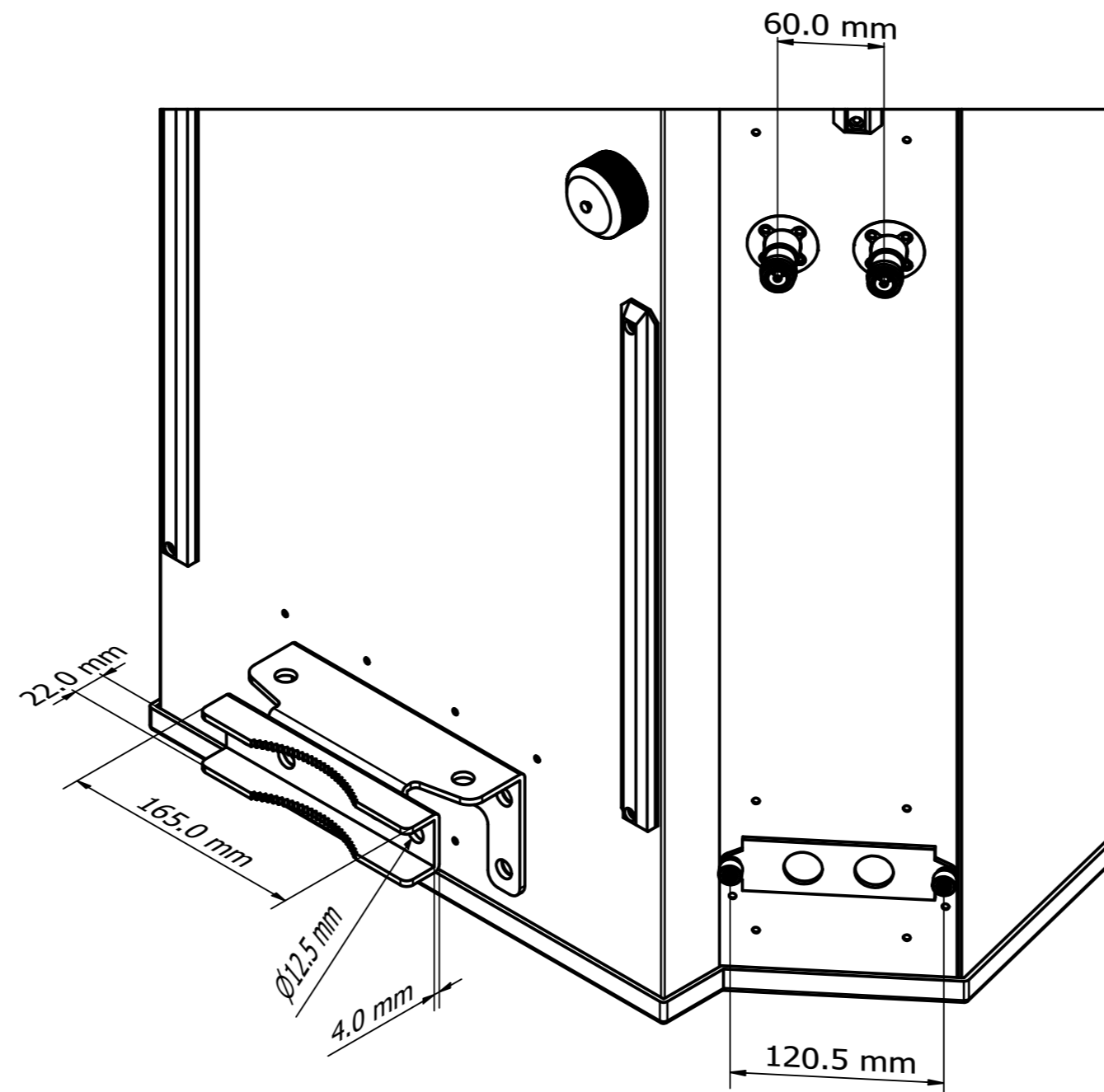


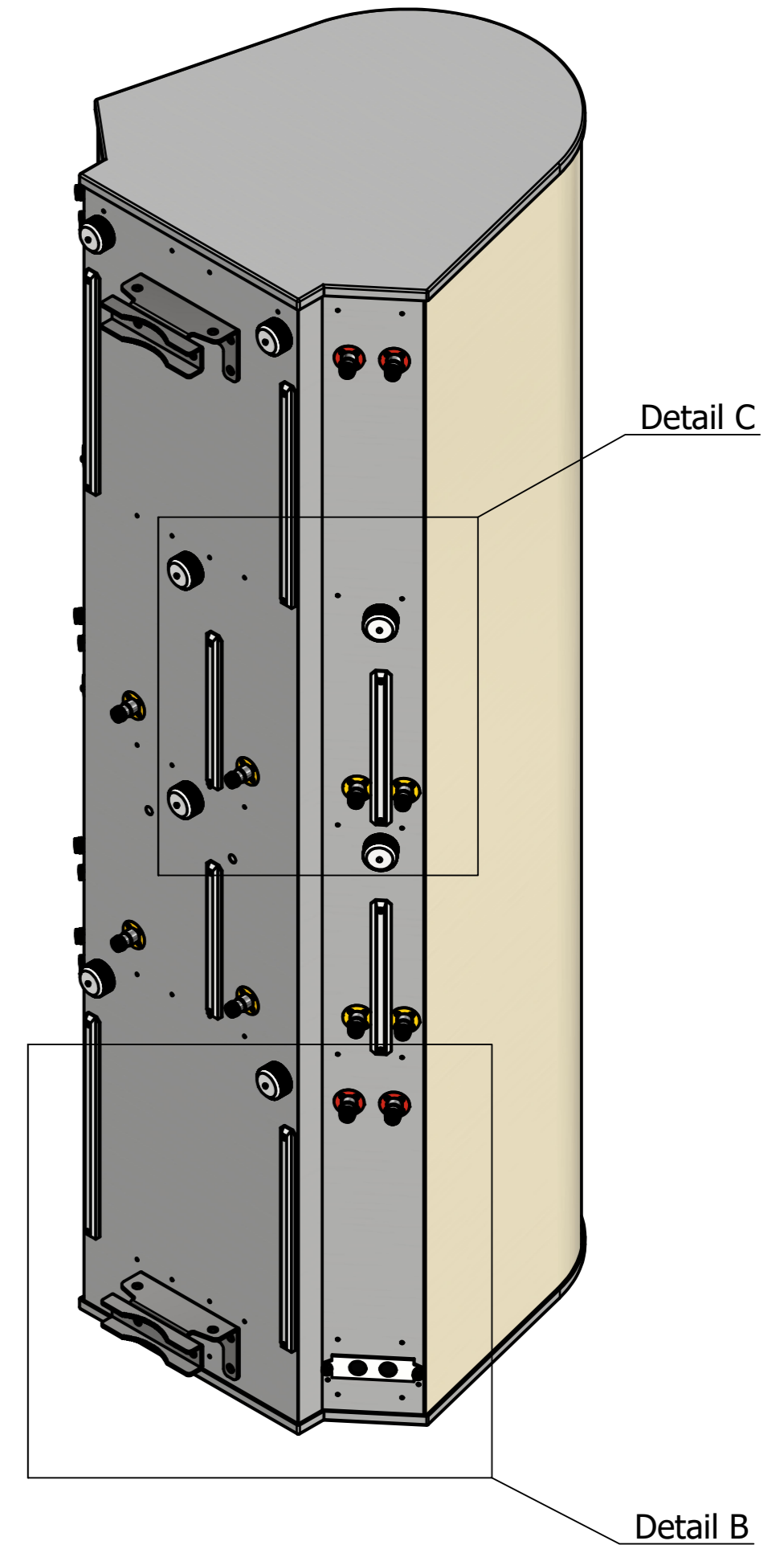
Designed by PAVEL	Drawing by LAWRENCE	Date 5/4/2023	Approved by PAVEL	Date 8/8/2024	Quantity	Material
<b>MATSING</b>						MS-MBA-3.2-H4-T4
LENS TECHNOLOGY ENABLED						MS-MBA-3.2-H4-T4 (mm)
					Revision 3.0	Sheet 1 / 3



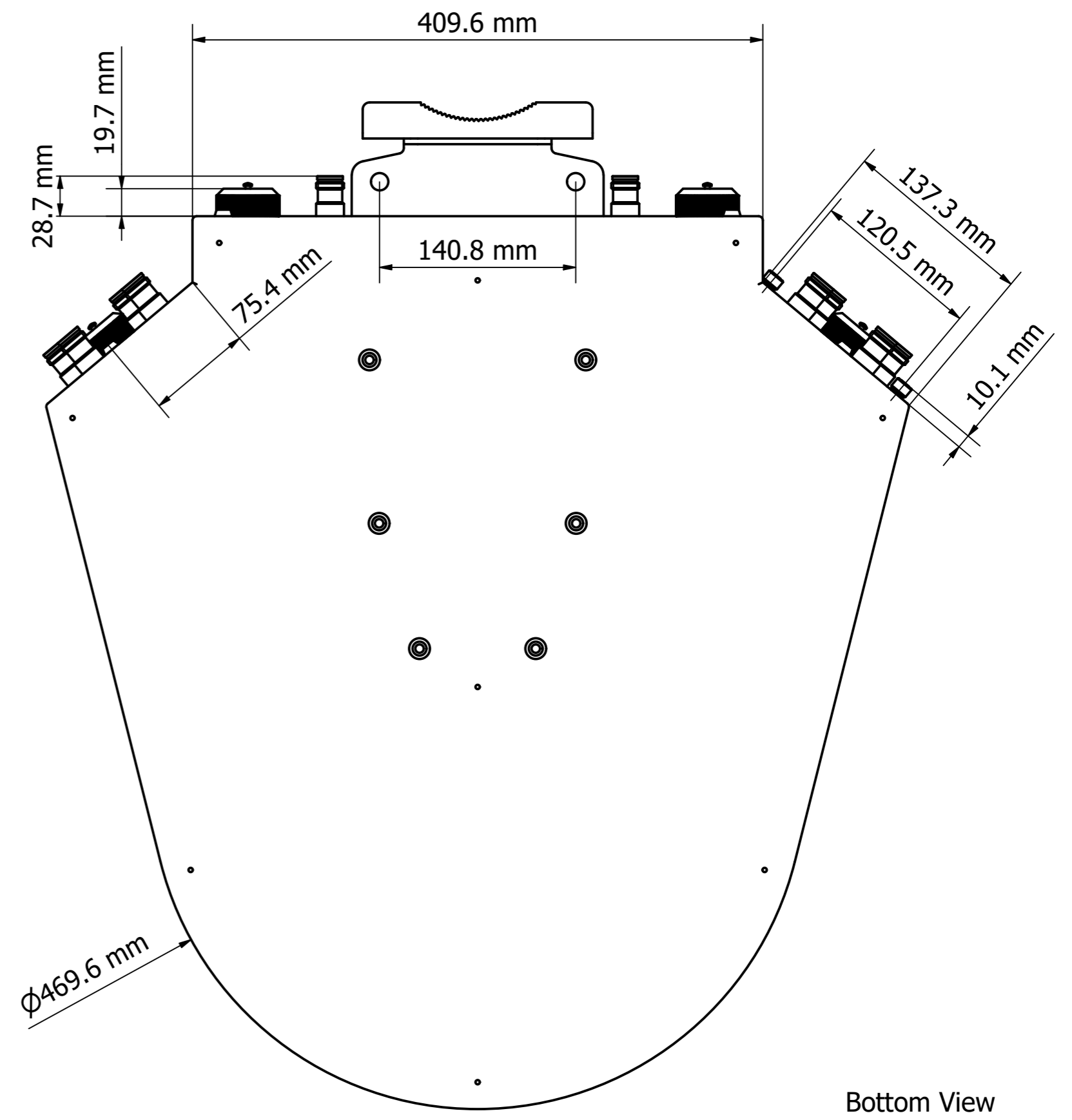
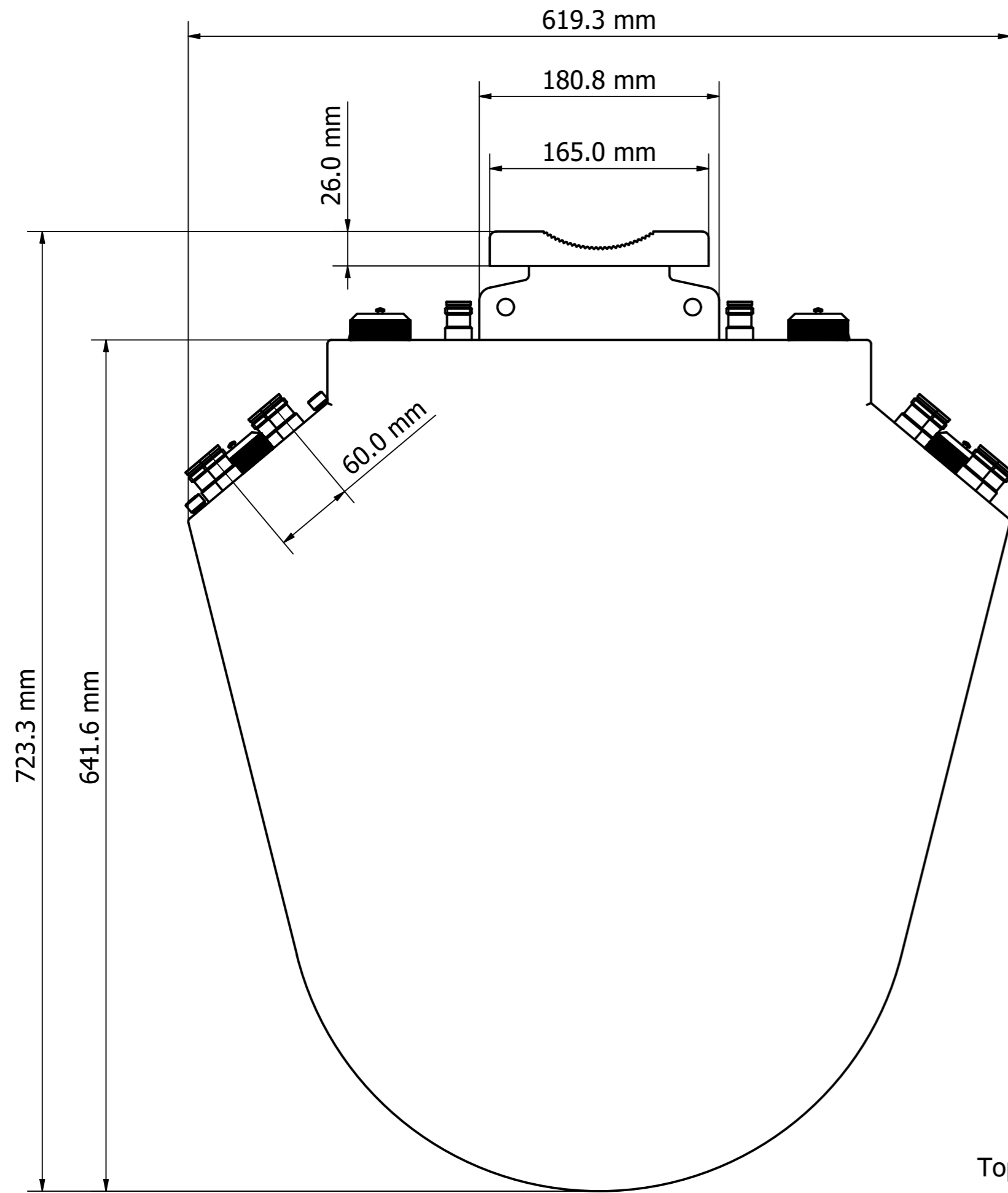
Detail C



Detail B



Designed by	Drawing by	Date	Approved by	Date	Quantity	Material	
PAVEL	LAWRENCE	5/4/2023	PAVEL	8/8/2024			
<b>MATSING</b> LENS TECHNOLOGY ENABLED						MS-MBA-3.2-H4-T4	
						MS-MBA-3.2-H4-T4 (mm)	Revision 3.0
							Sheet 2 / 3



Designed by	Drawing by	Date	Approved by	Date	Quantity	Material	
PAVEL	LAWRENCE	5/4/2023	PAVEL	8/8/2024			
<b>MATSING</b> LENS TECHNOLOGY ENABLED							
MS-MBA-3.2-H4-T4						Revision	Sheet
MS-MBA-3.2-H4-T4 (mm)						3.0	3 / 3