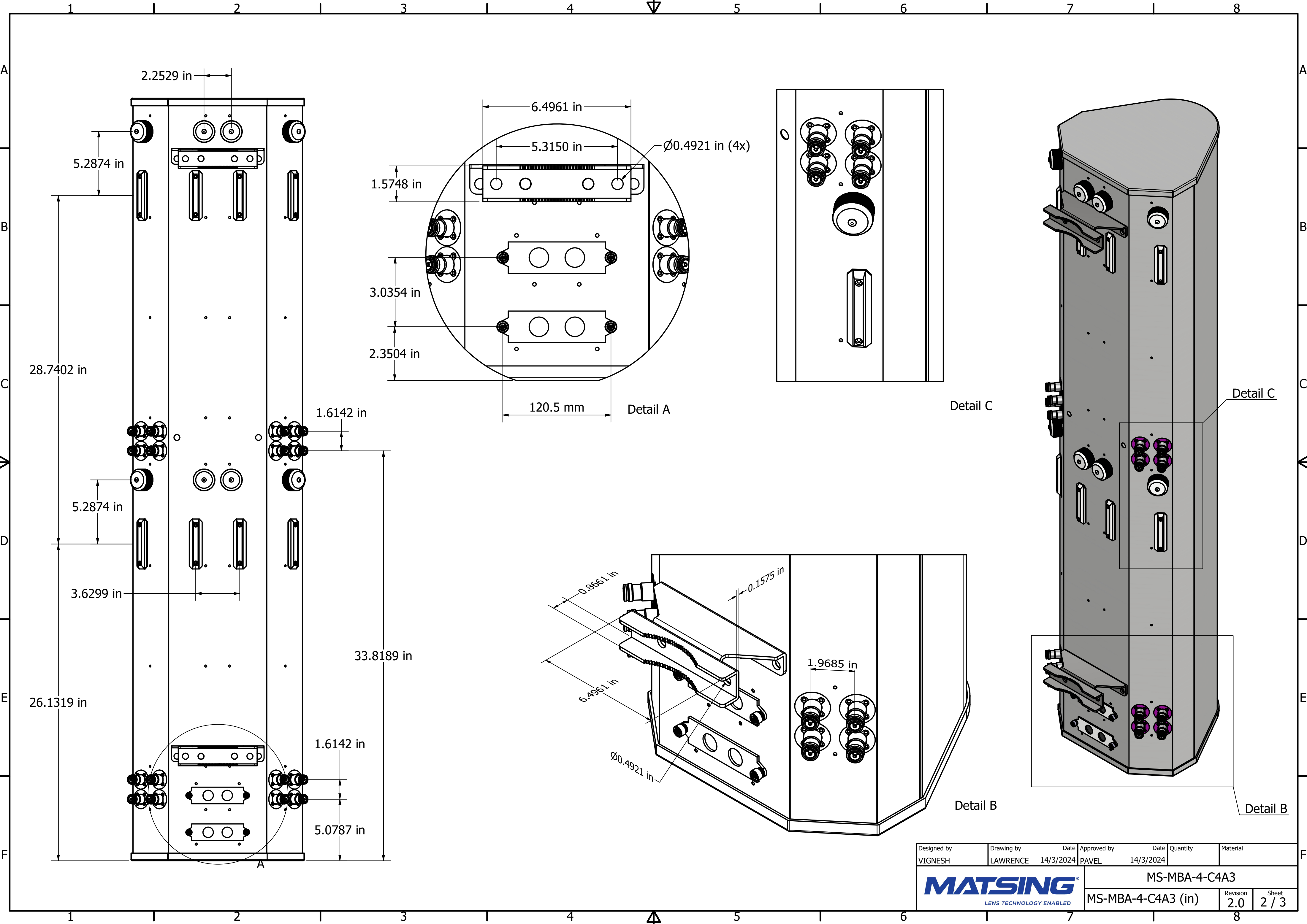


Designed by	Drawing by	Date	Approved by	Date	Quantity	Material
VIGNESH	LAWRENCE	14/3/2024	PAVEL	14/3/2024		
MATSING LENS TECHNOLOGY ENABLED						MS-MBA-4-C4A3
					MS-MBA-4-C4A3 (in)	Revision 2.0
						Sheet 1 / 3



2.2529 in

5.2874 in

28.7402 in

1.6142 in

5.2874 in

3.6299 in

26.1319 in

1.6142 in

5.0787 in

33.8189 in

6.4961 in

5.3150 in

Ø0.4921 in (4x)

1.5748 in

3.0354 in

2.3504 in

120.5 mm

Detail A

Detail C

0.8861 in

0.1575 in

6.4961 in

1.9685 in

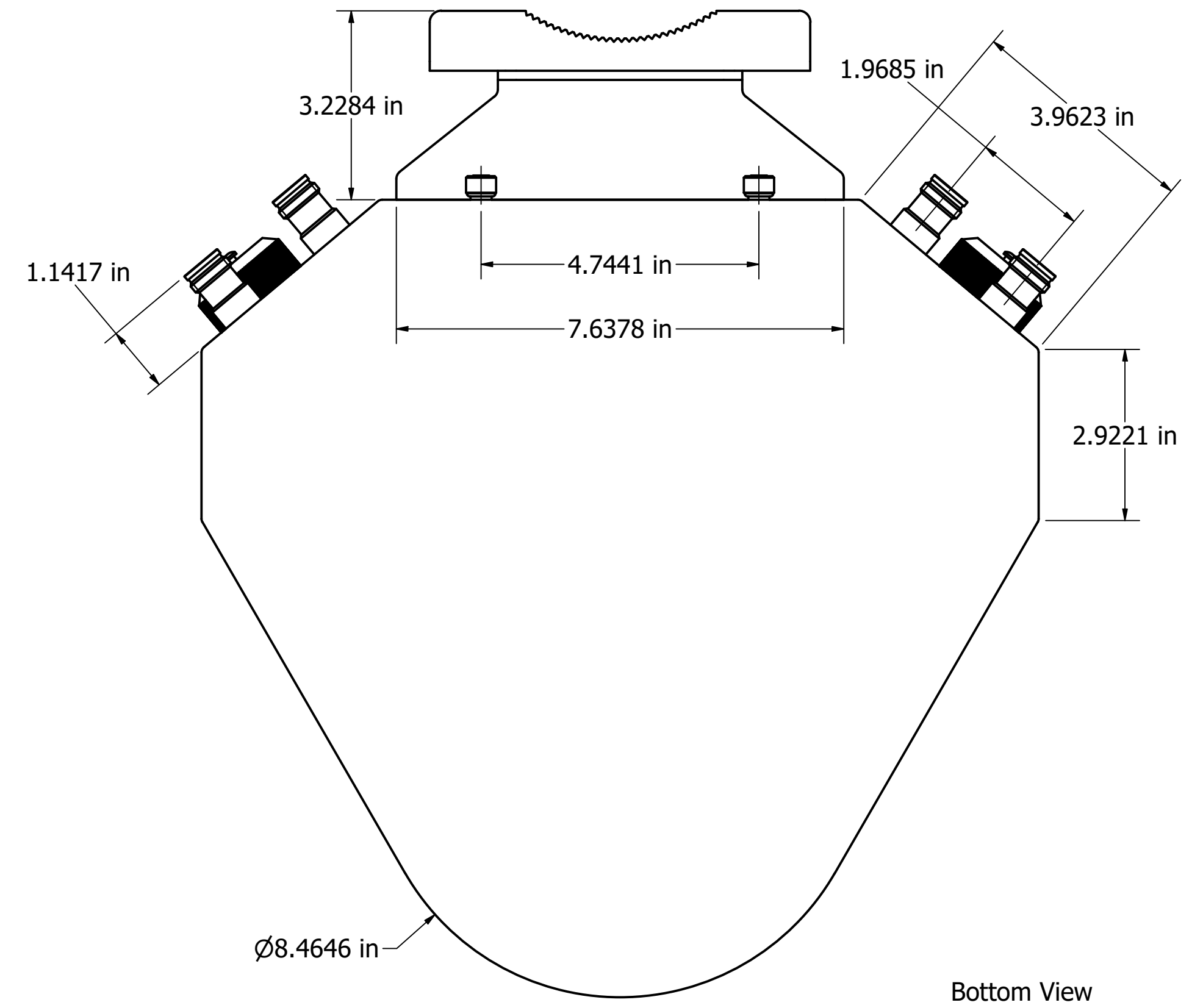
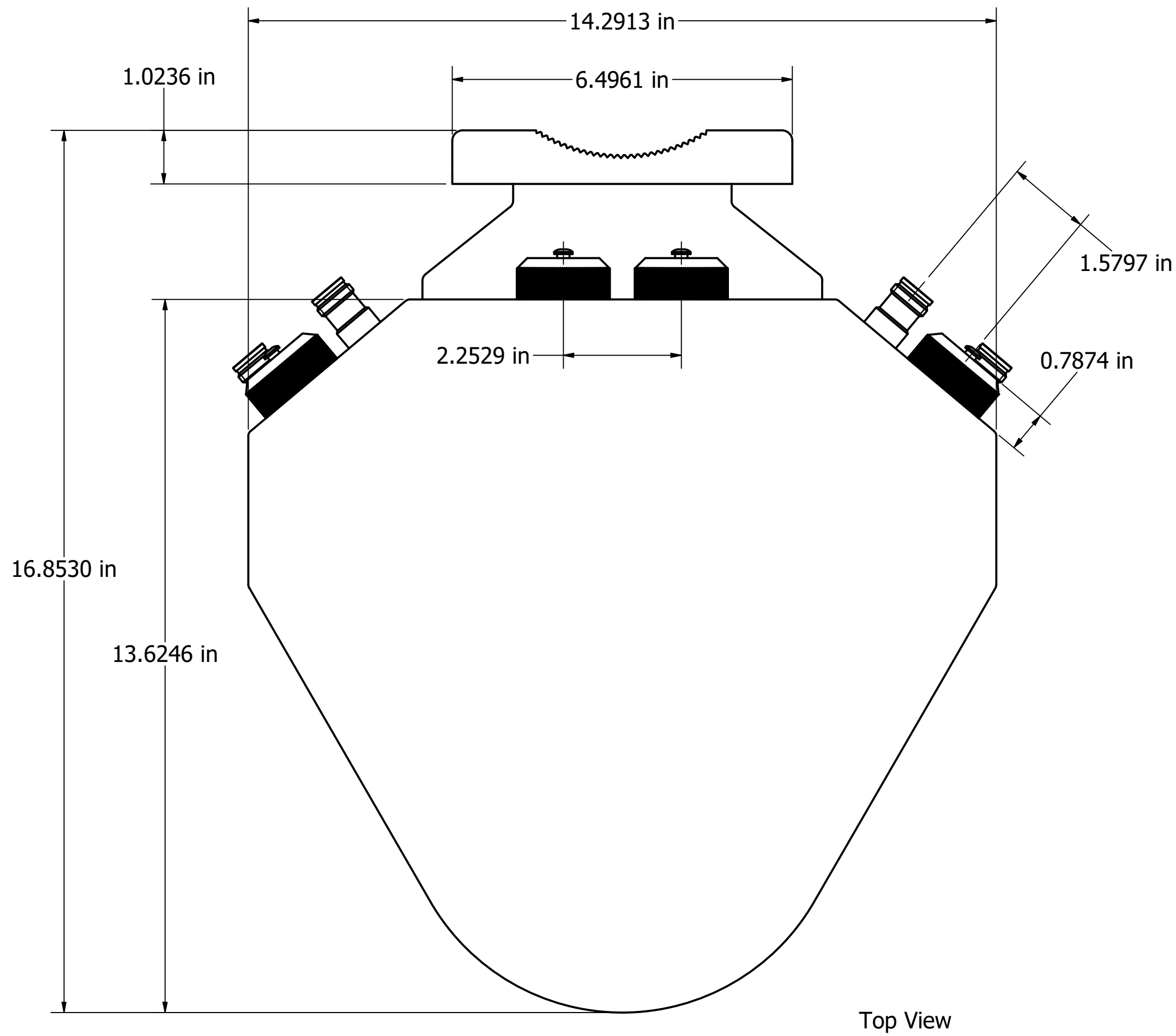
Ø0.4921 in

Detail B

Detail C

Detail B

Designed by VIGNESH	Drawing by LAWRENCE	Date 14/3/2024	Approved by PAVEL	Date 14/3/2024	Quantity	Material
MATSING LENS TECHNOLOGY ENABLED						MS-MBA-4-C4A3
						MS-MBA-4-C4A3 (in)
					Revision 2.0	Sheet 2 / 3



Designed by VIGNESH	Drawing by LAWRENCE	Date 14/3/2024	Approved by PAVEL	Date 14/3/2024	Quantity	Material
MATSING LENS TECHNOLOGY ENABLED						MS-MBA-4-C4A3
MS-MBA-4-C4A3 (in)					Revision 2.0	Sheet 3 / 3