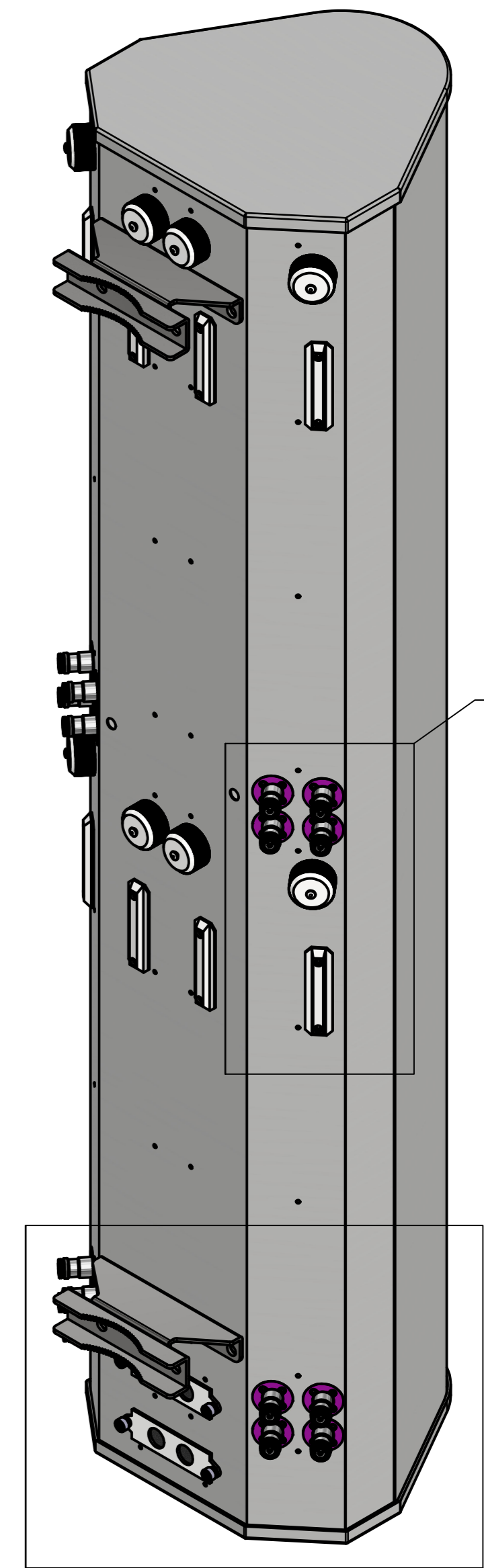
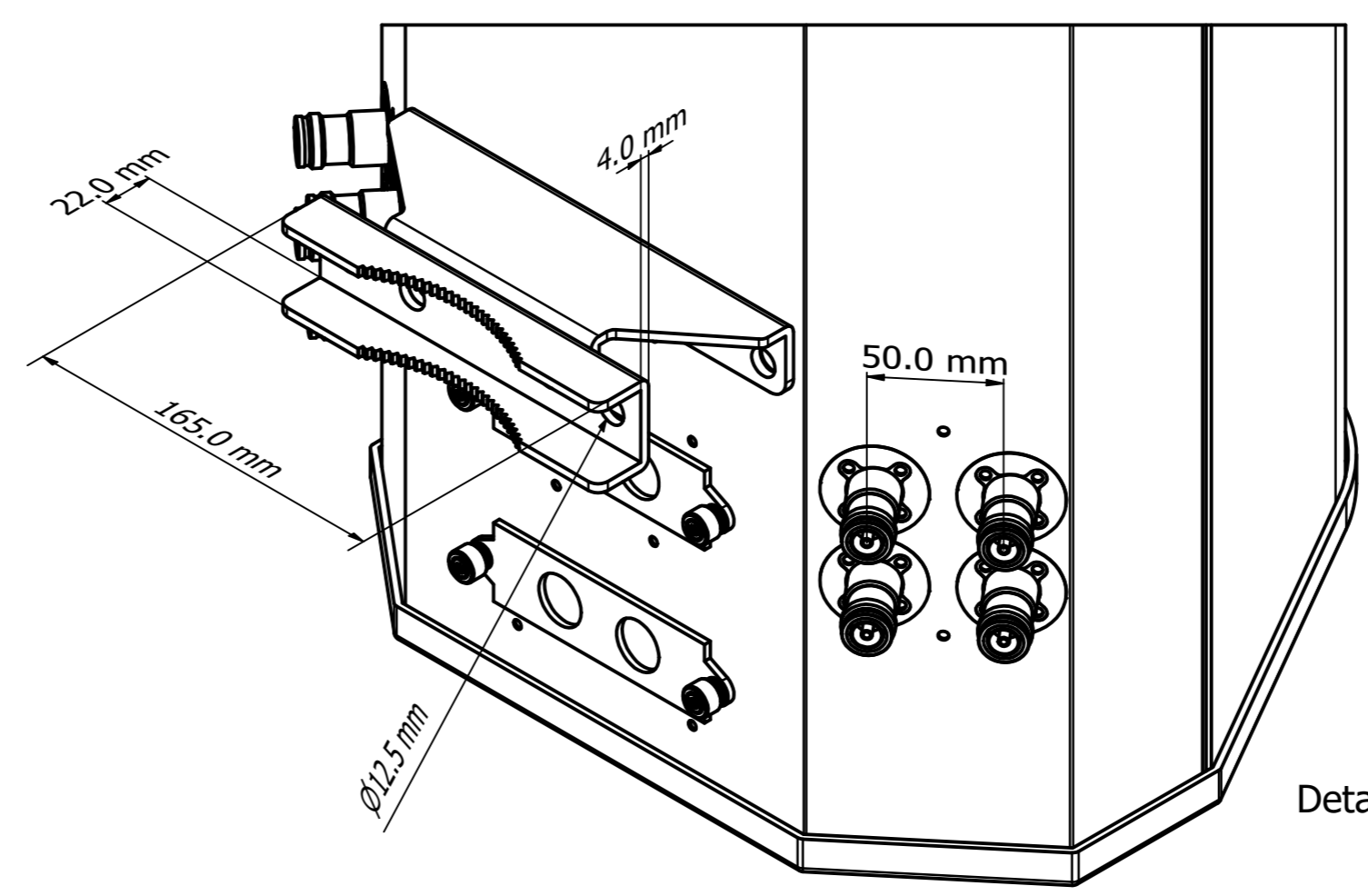
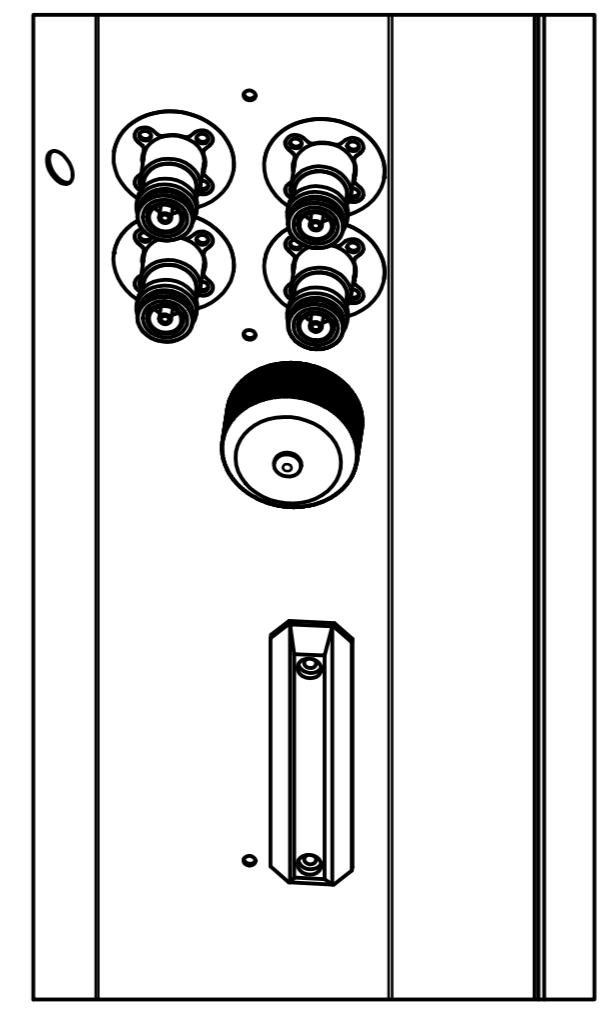
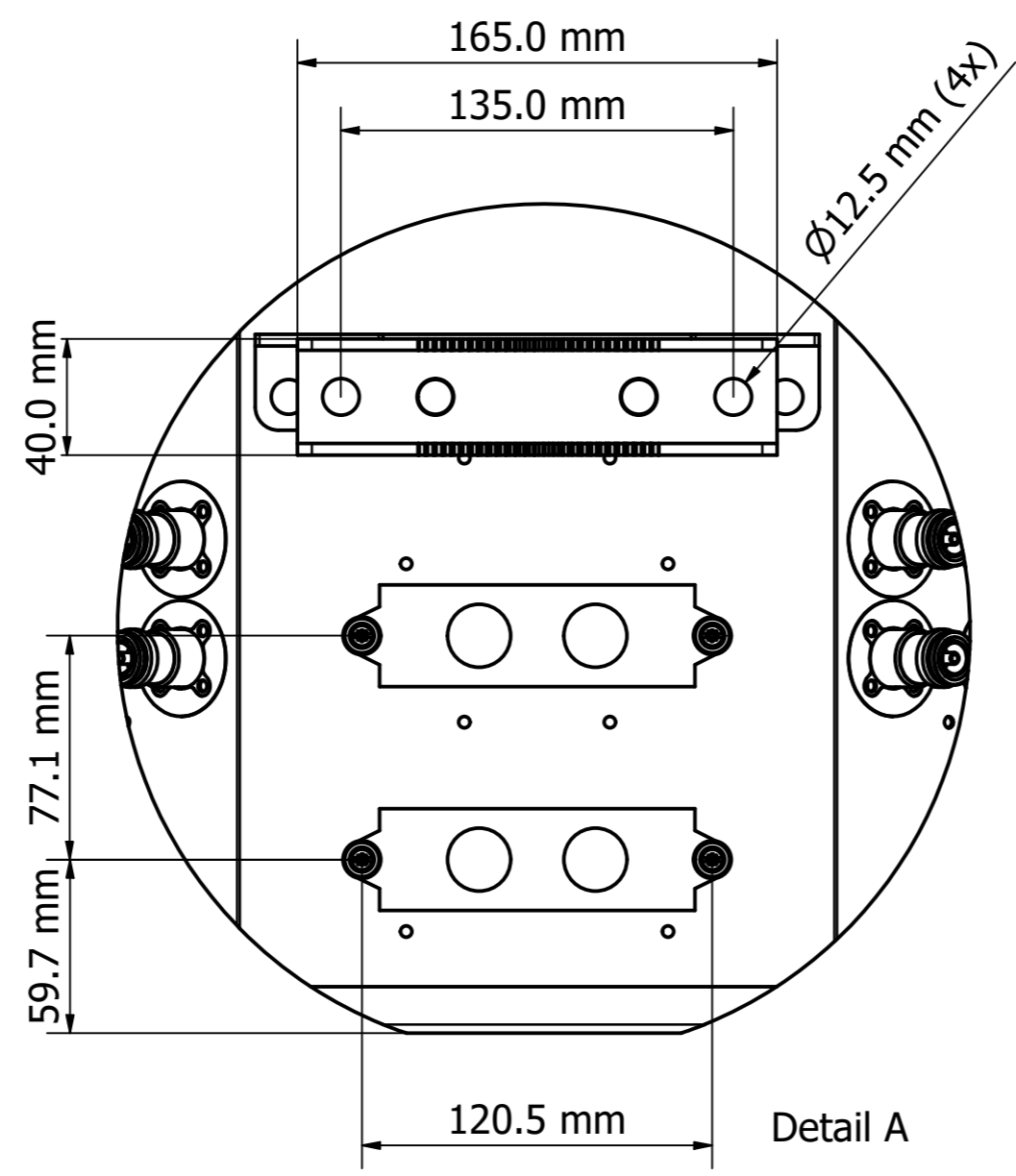
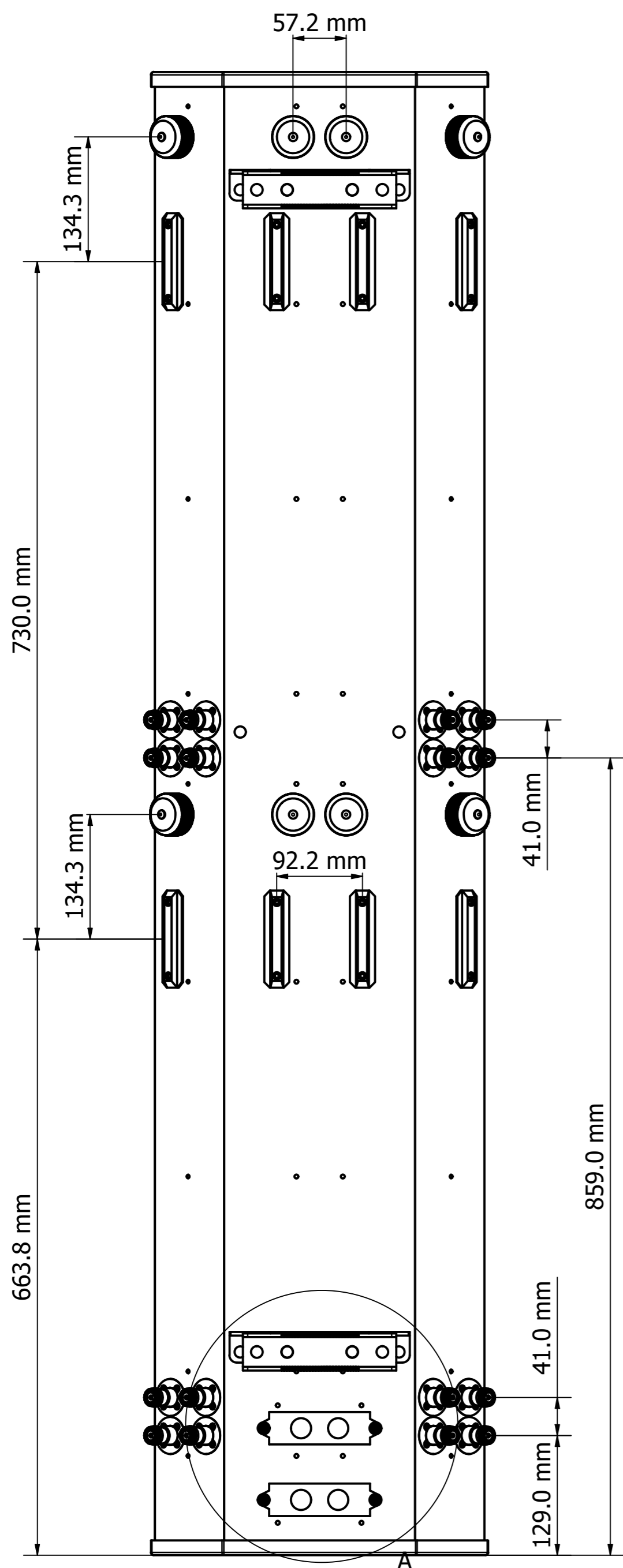
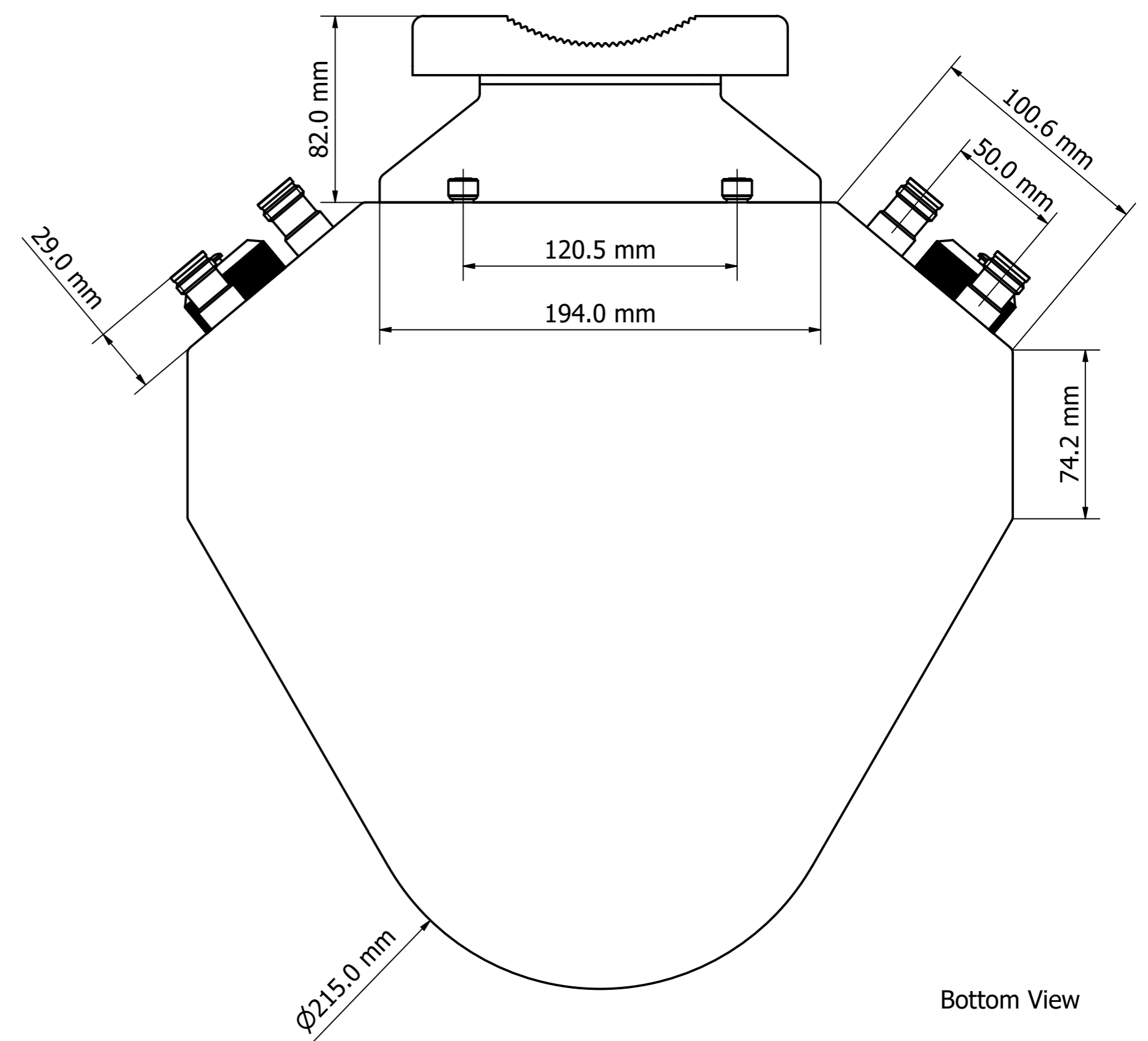
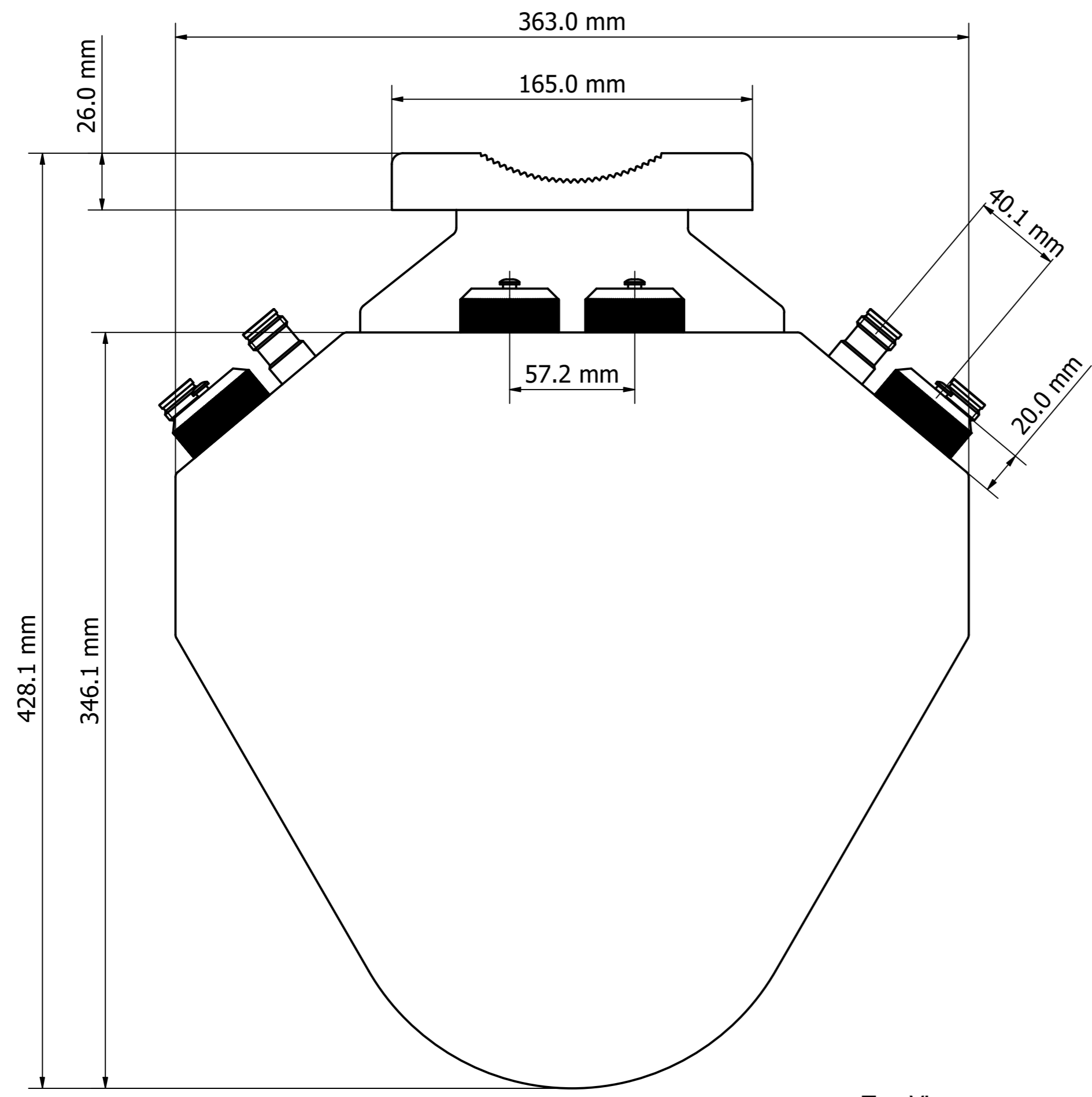


Designed by	Drawing by	Date	Approved by	Date	Quantity	Material		
VIGNESH	LAWRENCE	14/3/2024	PAVEL	14/3/2024				
<b>MATSING</b> LENS TECHNOLOGY ENABLED						MS-MBA-4-C4A3		
						MS-MBA-4-C4A3 (mm)	Revision 2.0	Sheet 1 / 3



Designed by VIGNESH	Drawing by LAWRENCE	Date 14/3/2024	Approved by PAVEL	Date 14/3/2024	Quantity	Material
<b>MATSING</b> LENS TECHNOLOGY ENABLED						MS-MBA-4-C4A3
						MS-MBA-4-C4A3 (mm)
						Revision 2.0
						Sheet 2 / 3



Designed by VIGNESH	Drawing by LAWRENCE	Date 14/3/2024	Approved by PAVEL	Date 14/3/2024	Quantity	Material
<b>MATSING</b> LENS TECHNOLOGY ENABLED						MS-MBA-4-C4A3
MS-MBA-4-C4A3 (mm)					Revision 2.0	Sheet 3 / 3