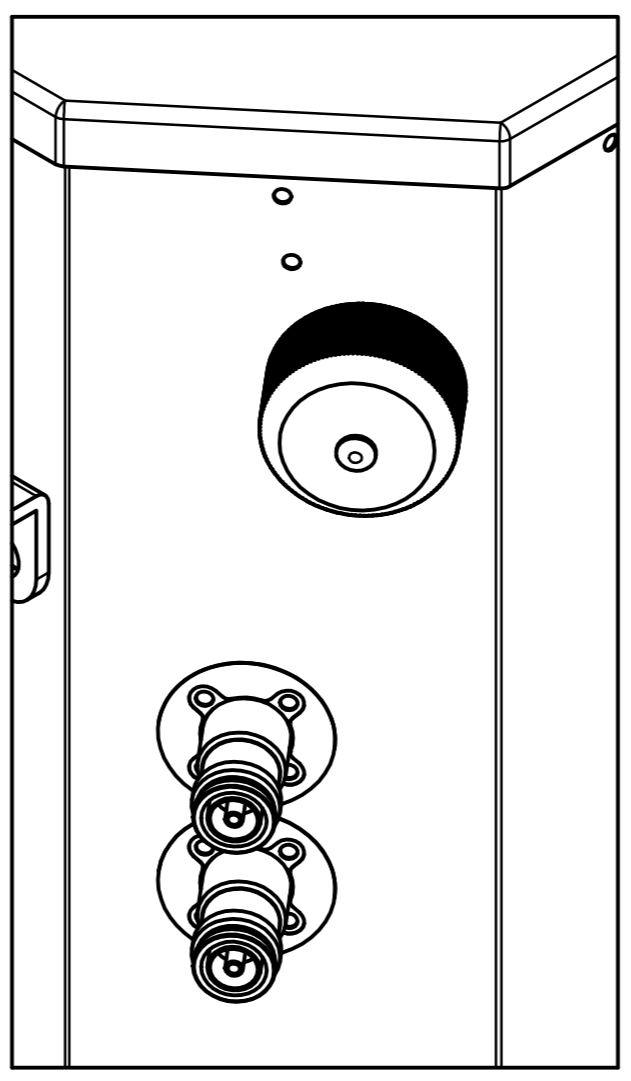
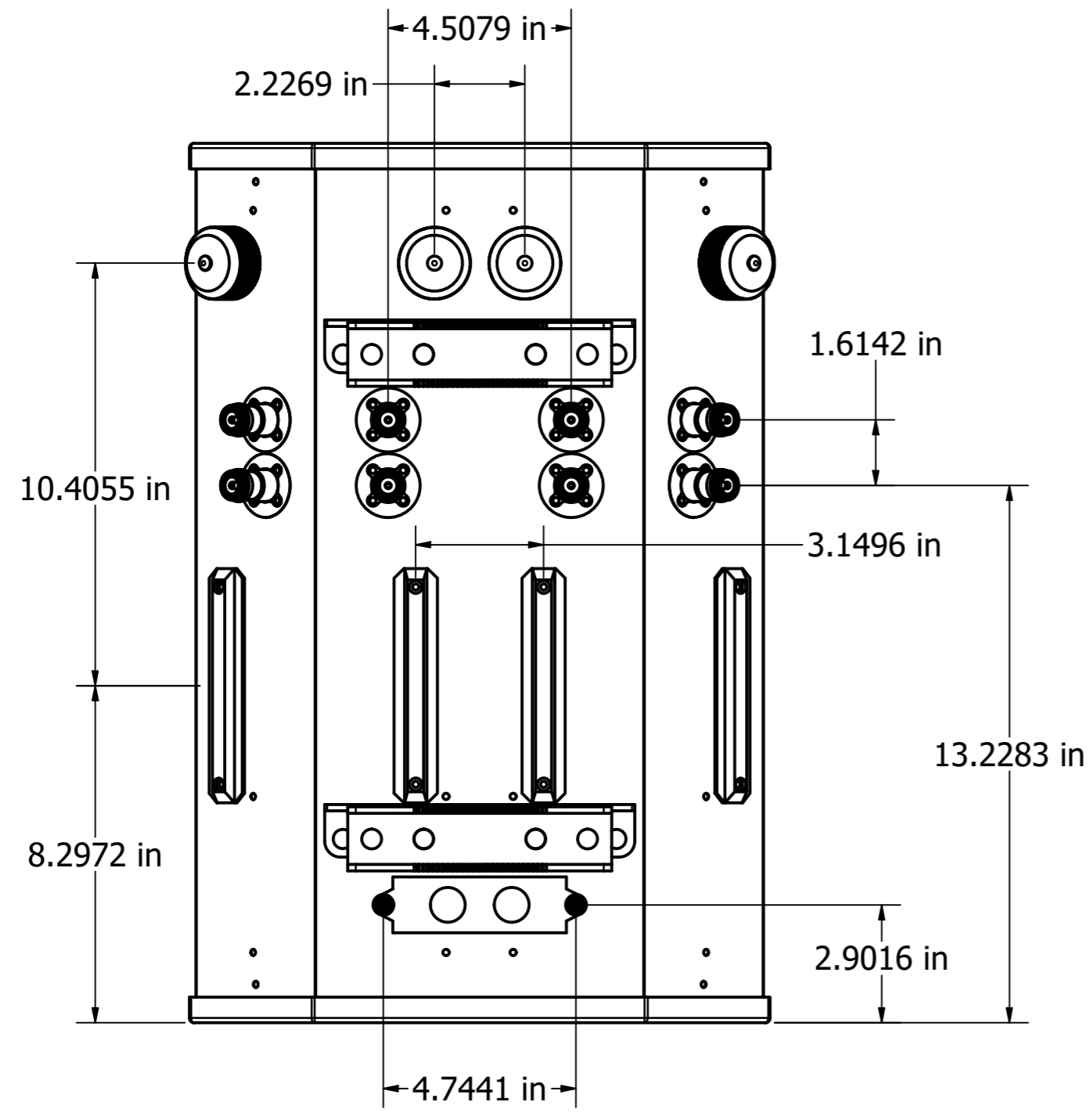
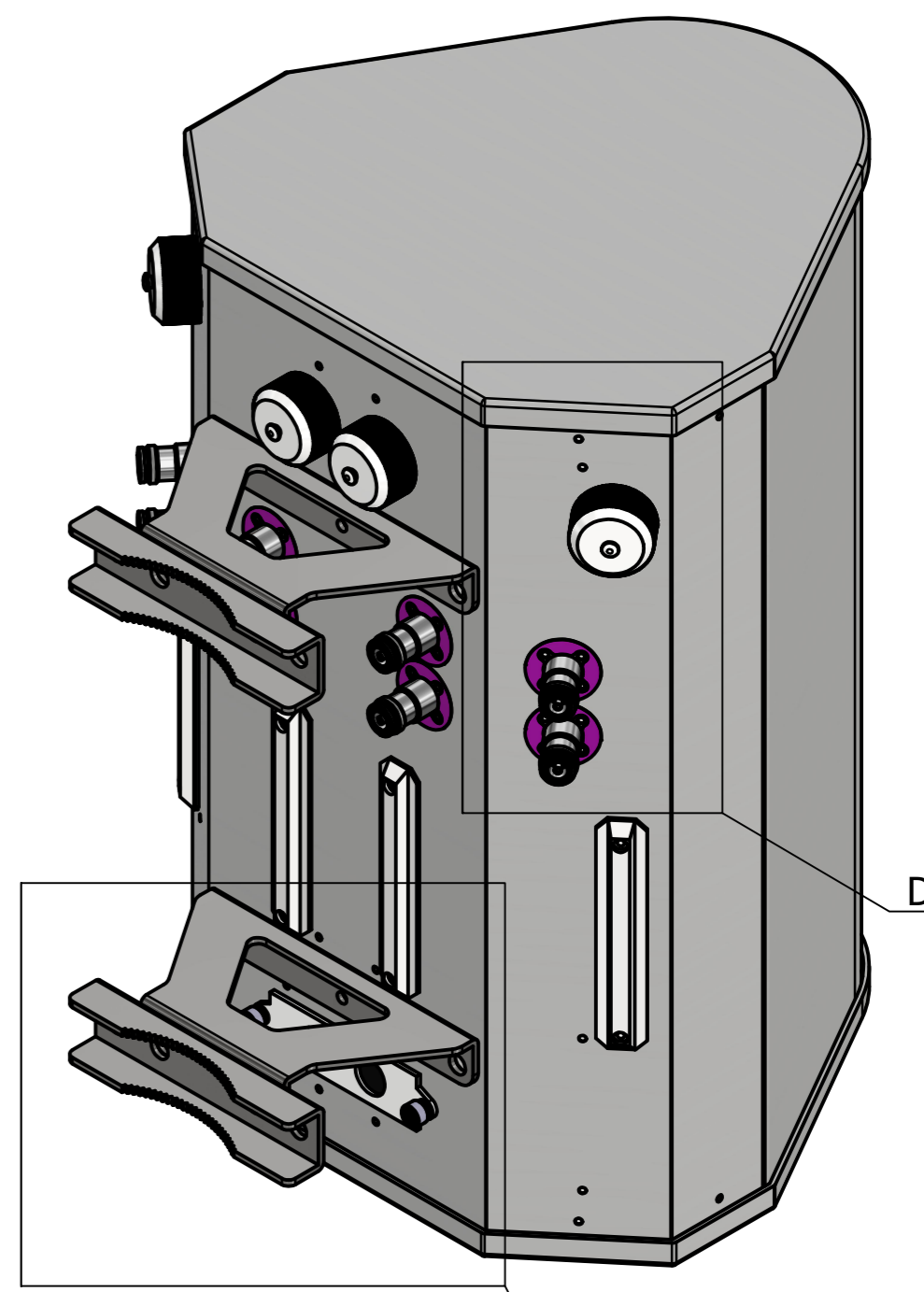


Designed by	Drawing by	Date	Approved by	Date	Quantity	Material
VIGNESH	LAWRENCE	25/8/2023	PAVEL	11/9/2023		
<b>MATSING</b>						MS-MBA-4-F2
LENS TECHNOLOGY ENABLED						MS-MBA-4-F2 (in)
					Revision	Sheet
					1.0	1 / 3

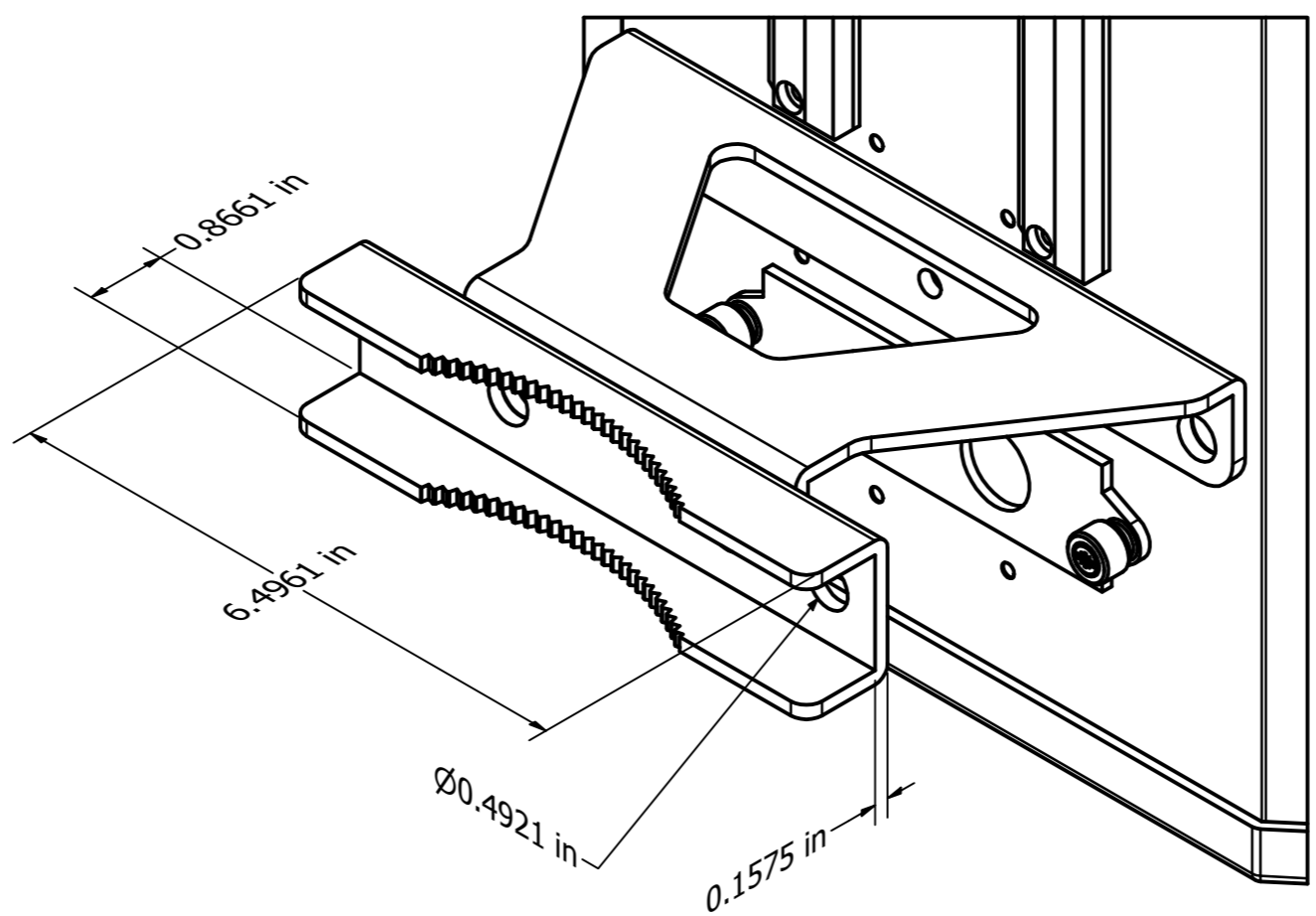
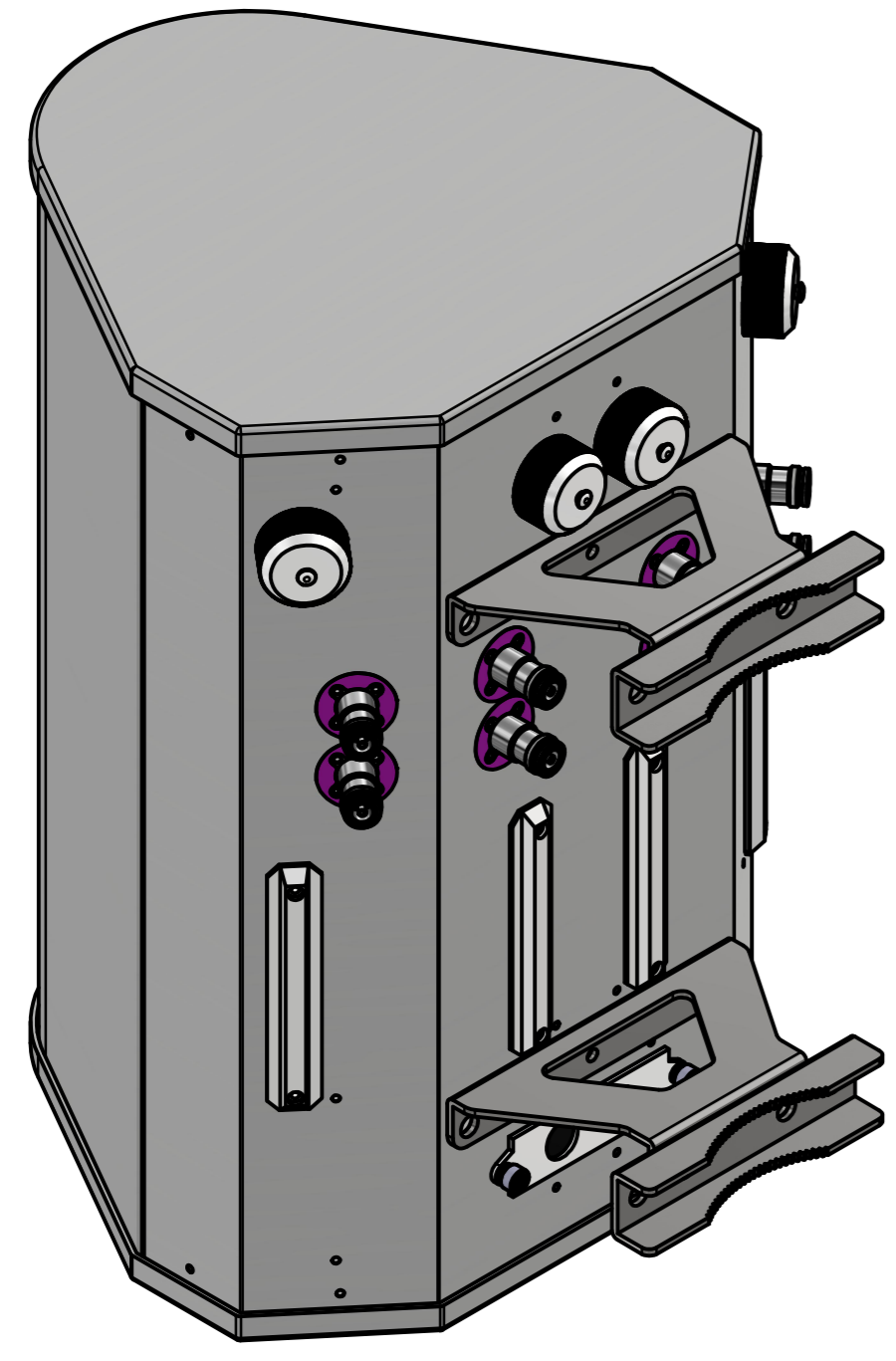


Detail A



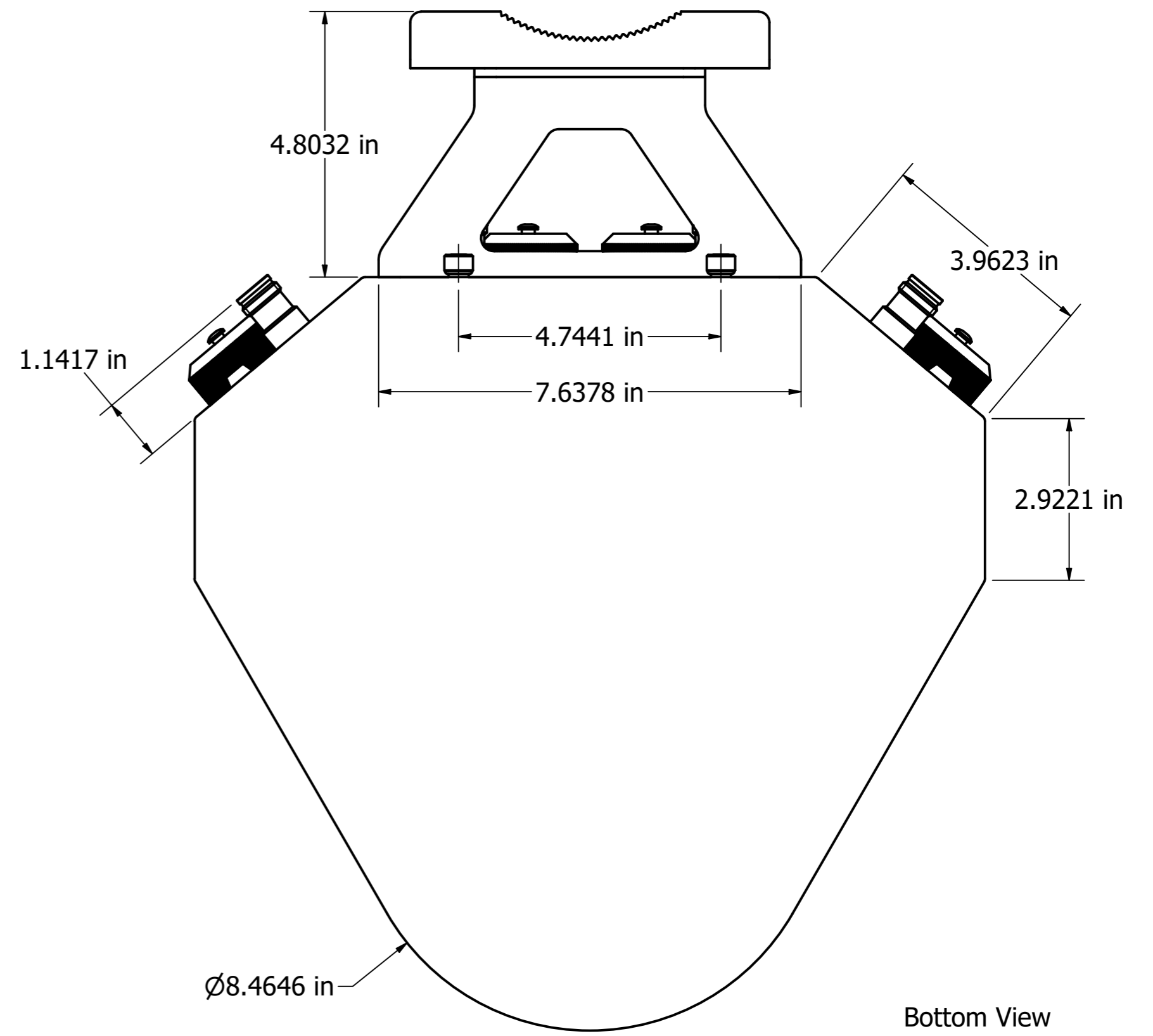
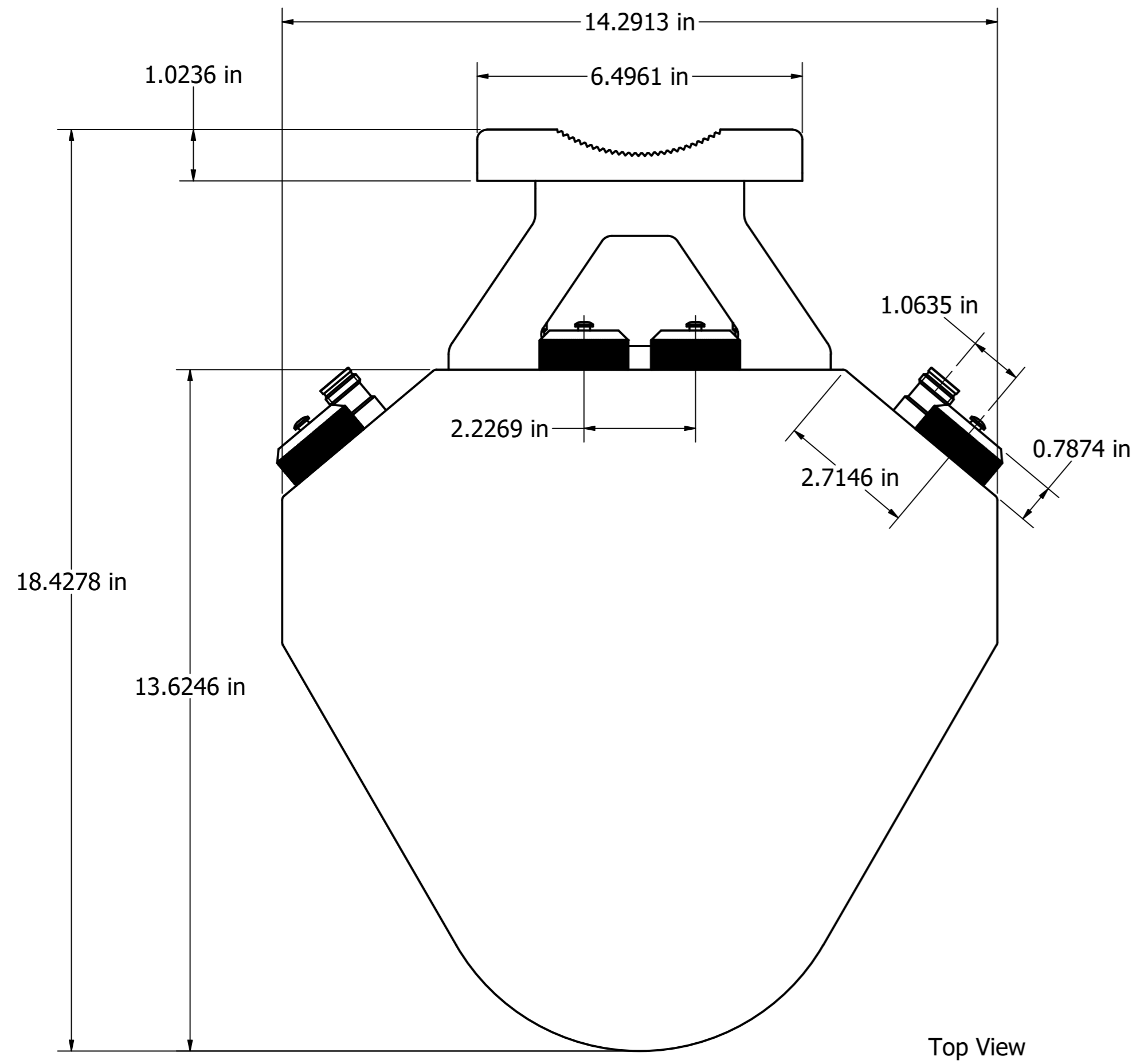
Detail A

Detail B



Detail B

Designed by VIGNESH	Drawing by LAWRENCE	Date 25/8/2023	Approved by PAVEL	Date 11/9/2023	Quantity	Material
<b>MATSING</b> LENS TECHNOLOGY ENABLED						MS-MBA-4-F2
MS-MBA-4-F2 (in)					Revision 1.0	Sheet 2 / 3



Designed by VIGNESH	Drawing by LAWRENCE	Date 25/8/2023	Approved by PAVEL	Date 11/9/2023	Quantity	Material
<b>MATSING</b> LENS TECHNOLOGY ENABLED						MS-MBA-4-F2
MS-MBA-4-F2 (in)					Revision 1.0	Sheet 3 / 3