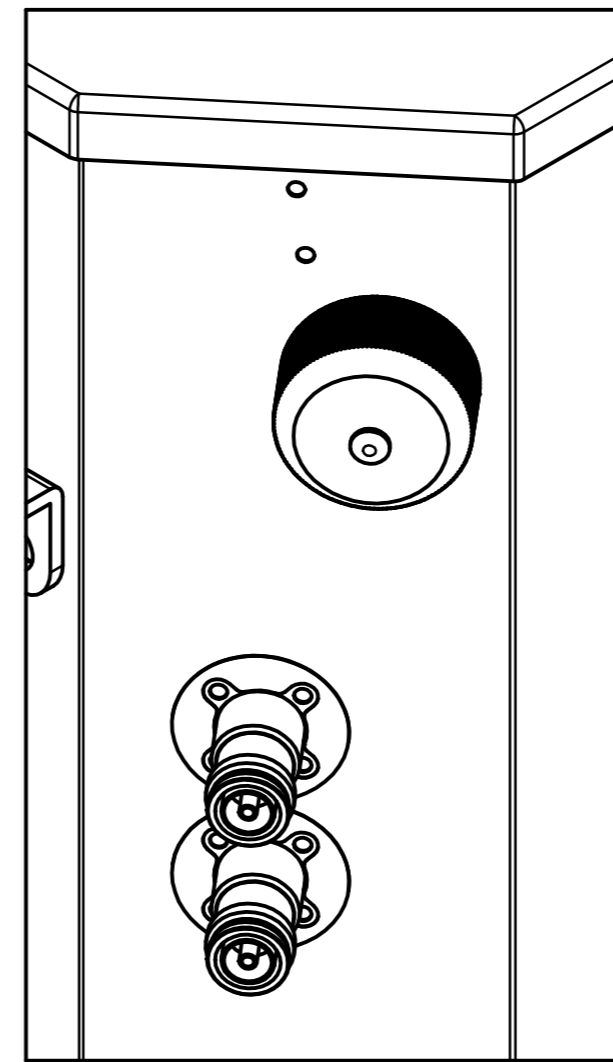
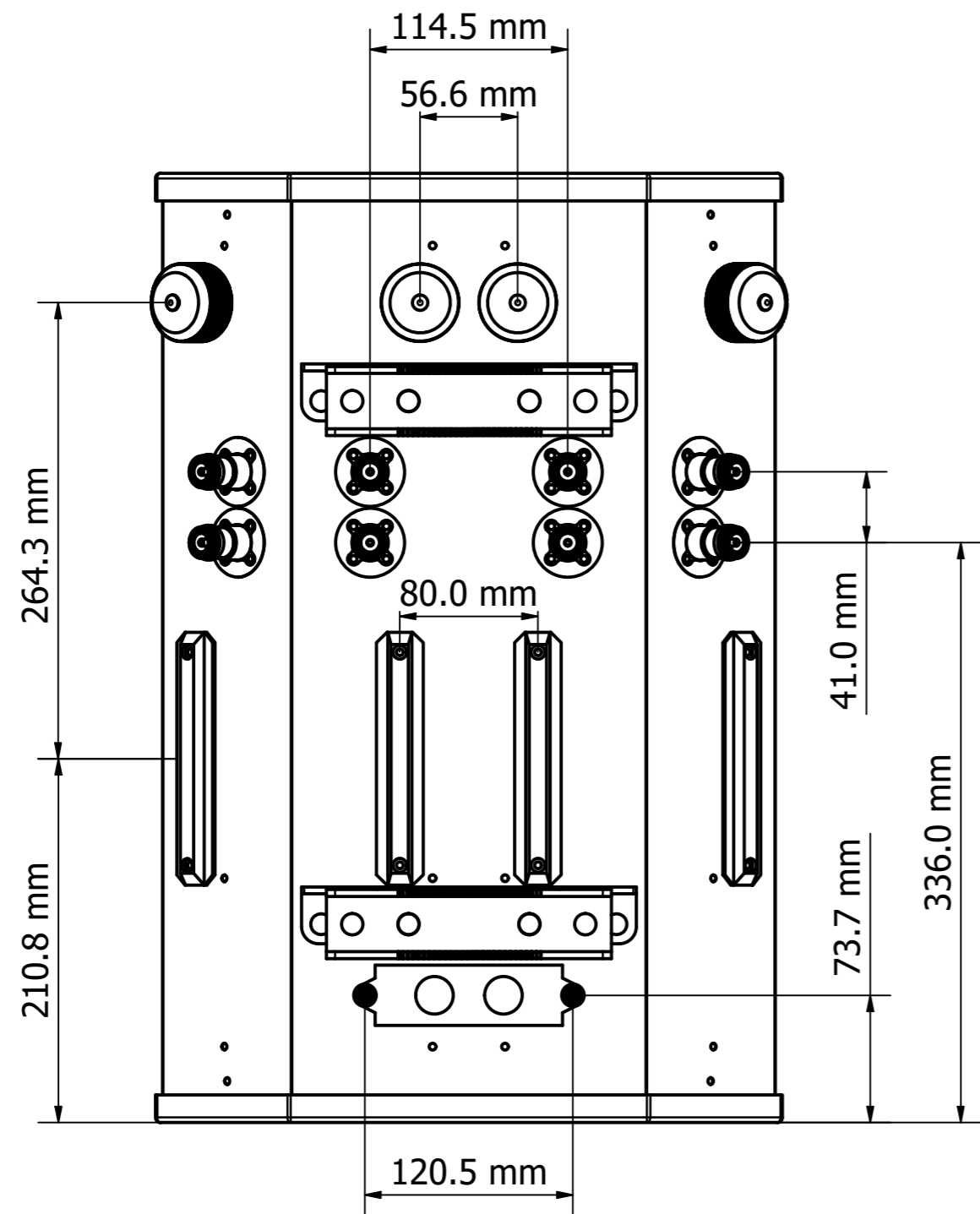
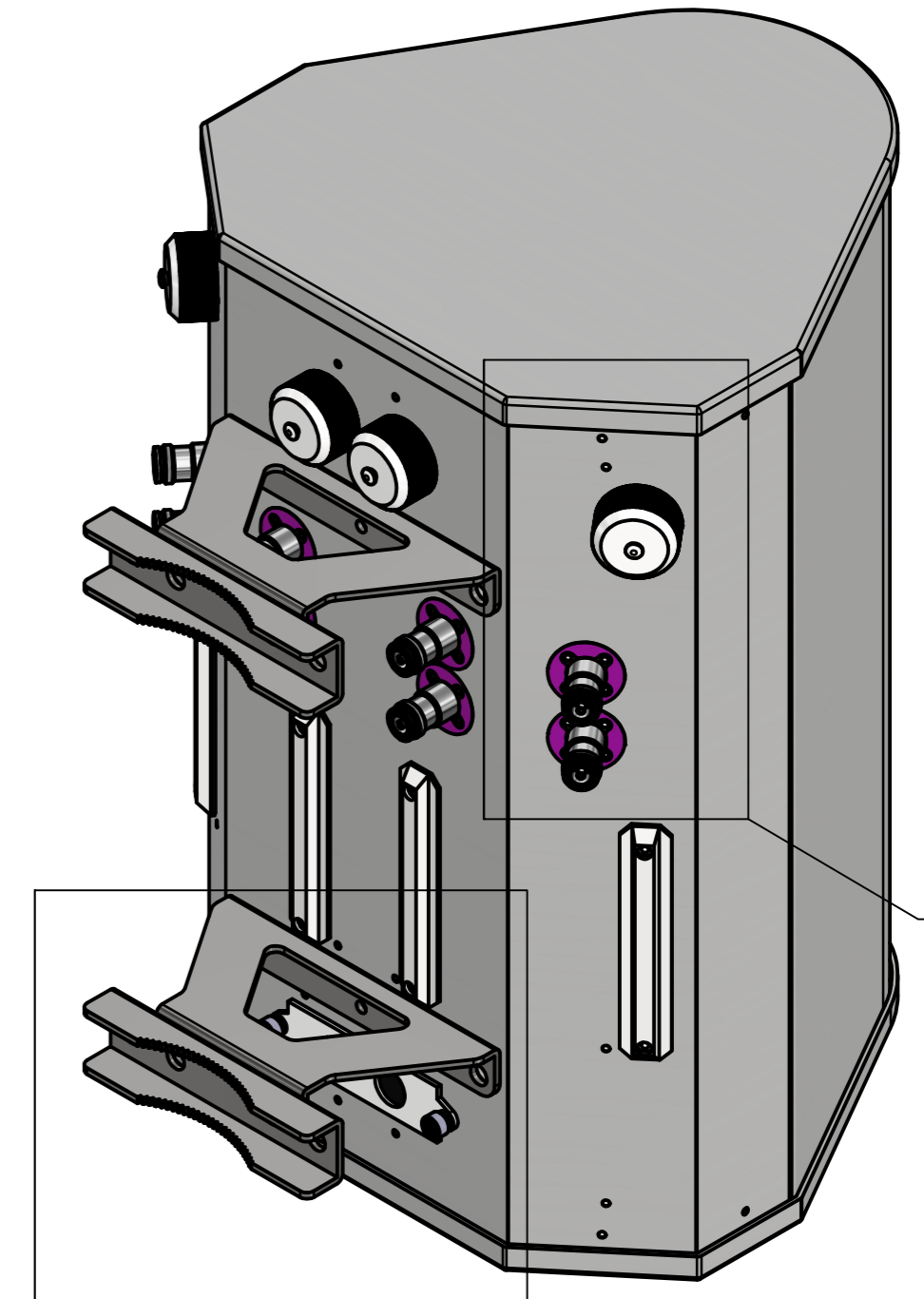


Designed by VIGNESH	Drawing by LAWRENCE	Date 25/8/2023	Approved by PAVEL	Date 11/9/2023	Quantity	Material
MATSING LENS TECHNOLOGY ENABLED						MS-MBA-4-F2
					MS-MBA-4-F2 (mm)	Revision 1.0
					Sheet 1 / 3	

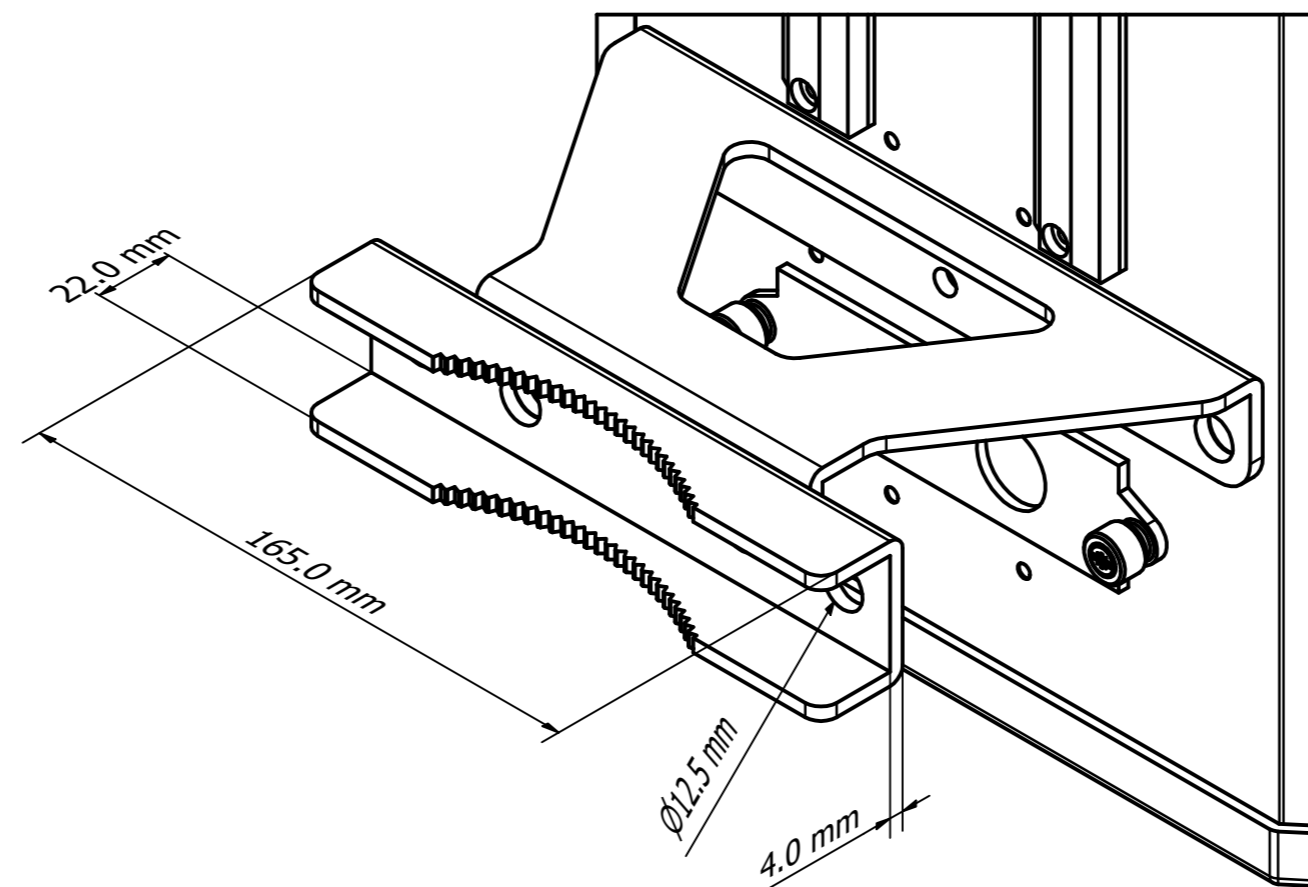
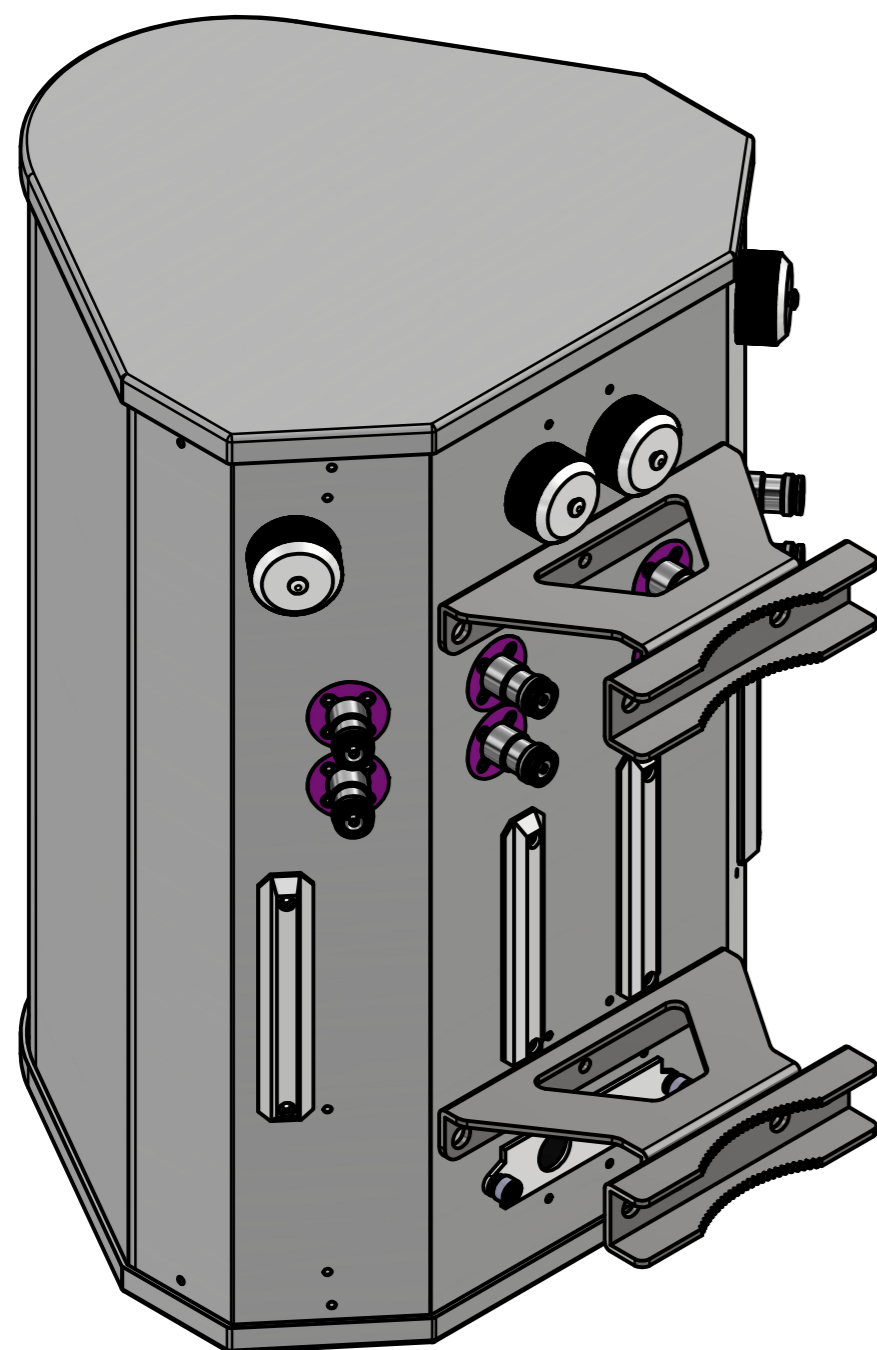


Detail A



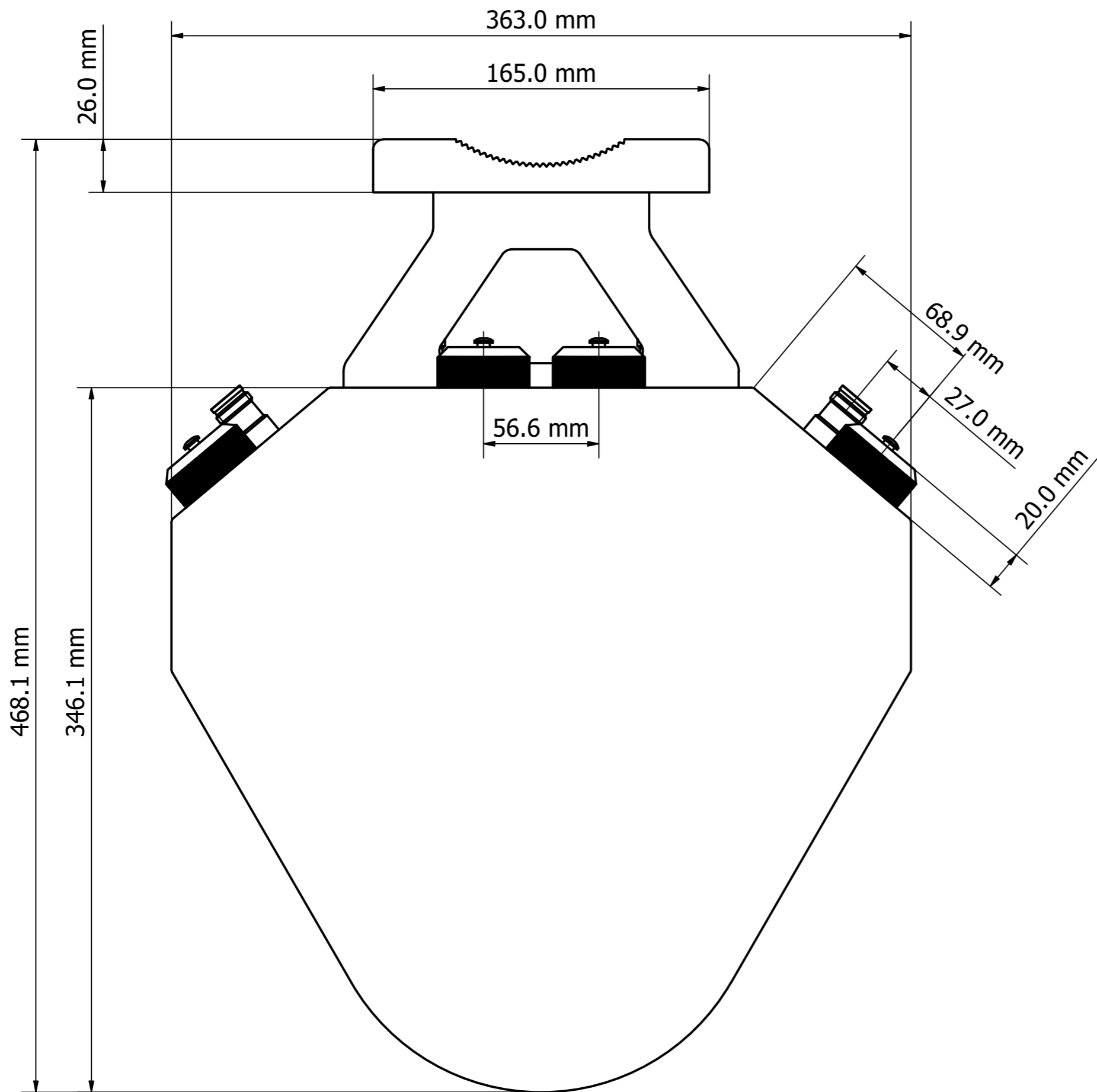
Detail A

Detail B

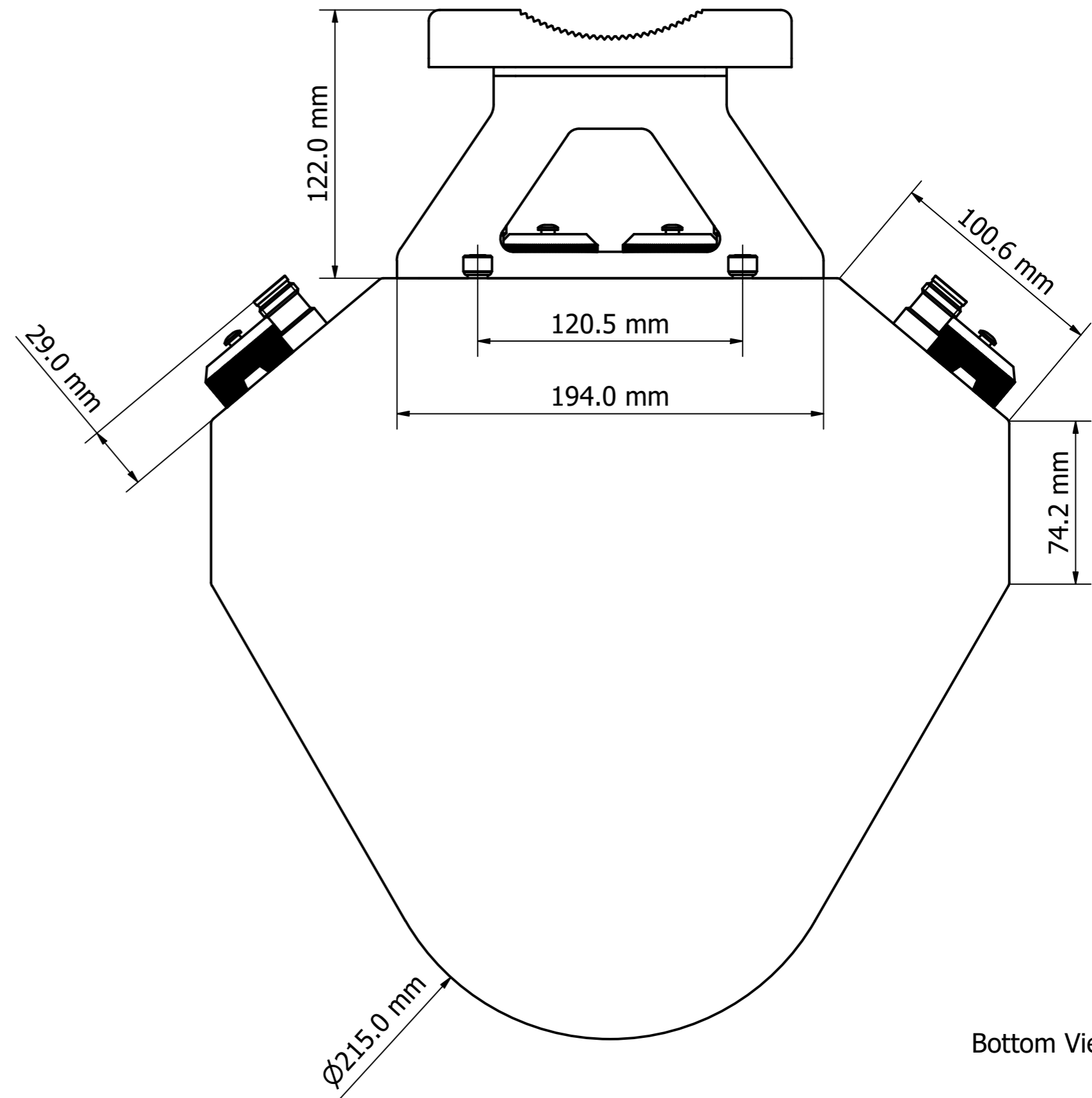


Detail B

Designed by VIGNESH	Drawing by LAWRENCE	Date 25/8/2023	Approved by PAVEL	Date 11/9/2023	Quantity	Material
MATSING LENS TECHNOLOGY ENABLED						MS-MBA-4-F2
MS-MBA-4-F2 (mm)					Revision 1.0	Sheet 2 / 3



Top View



Bottom View

Designed by VIGNESH	Drawing by LAWRENCE	Date 25/8/2023	Approved by PAVEL	Date 11/9/2023	Quantity	Material
MATSING LENS TECHNOLOGY ENABLED						MS-MBA-4-F2
					MS-MBA-4-F2 (mm)	Revision 1.0
					Sheet 3 / 3	