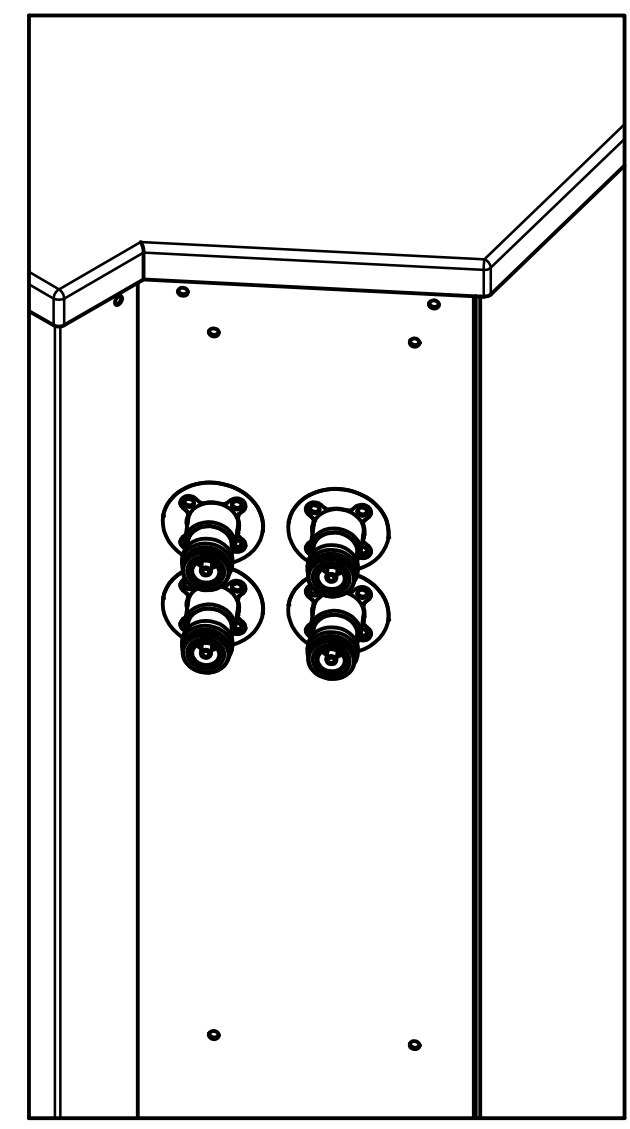
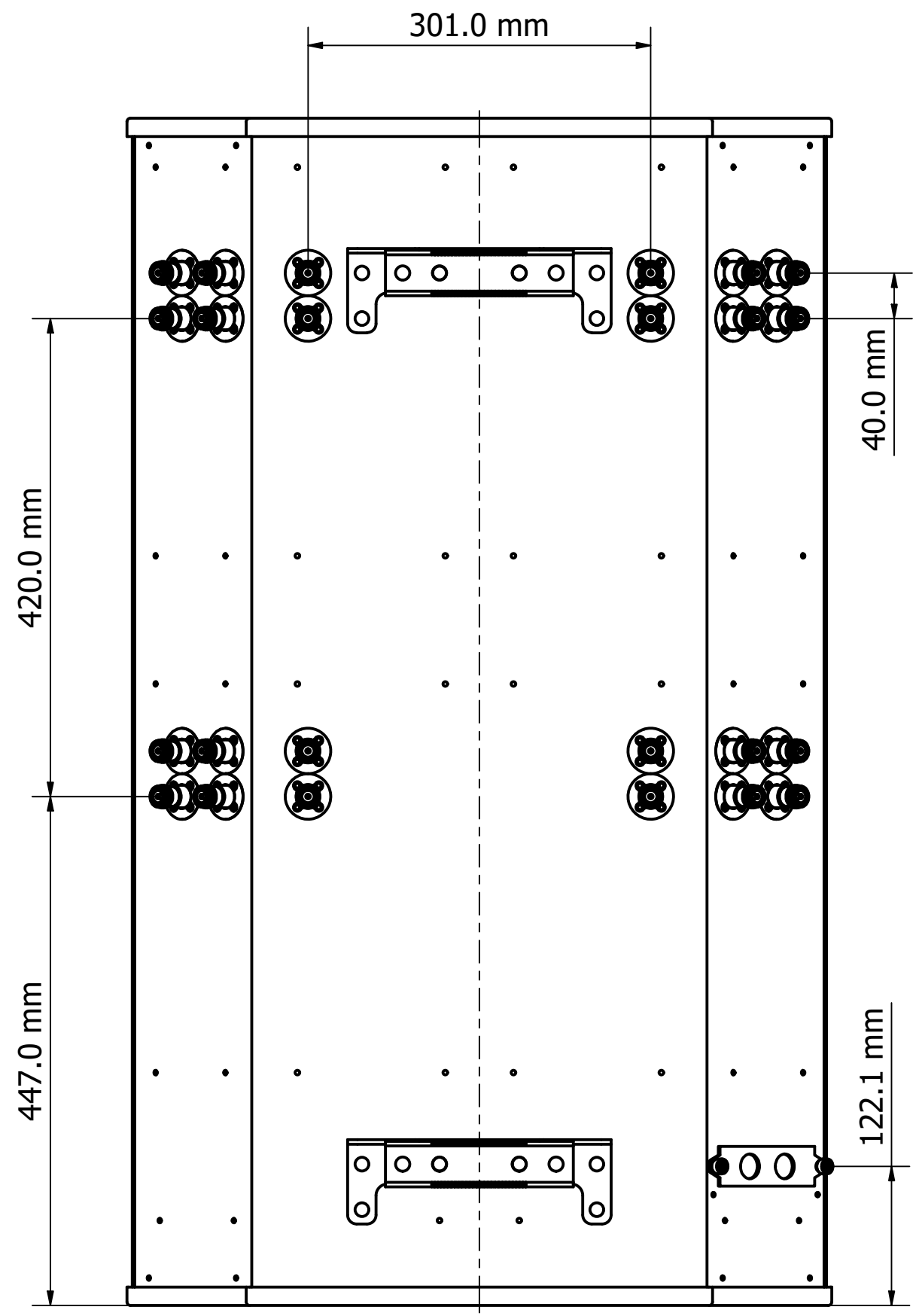
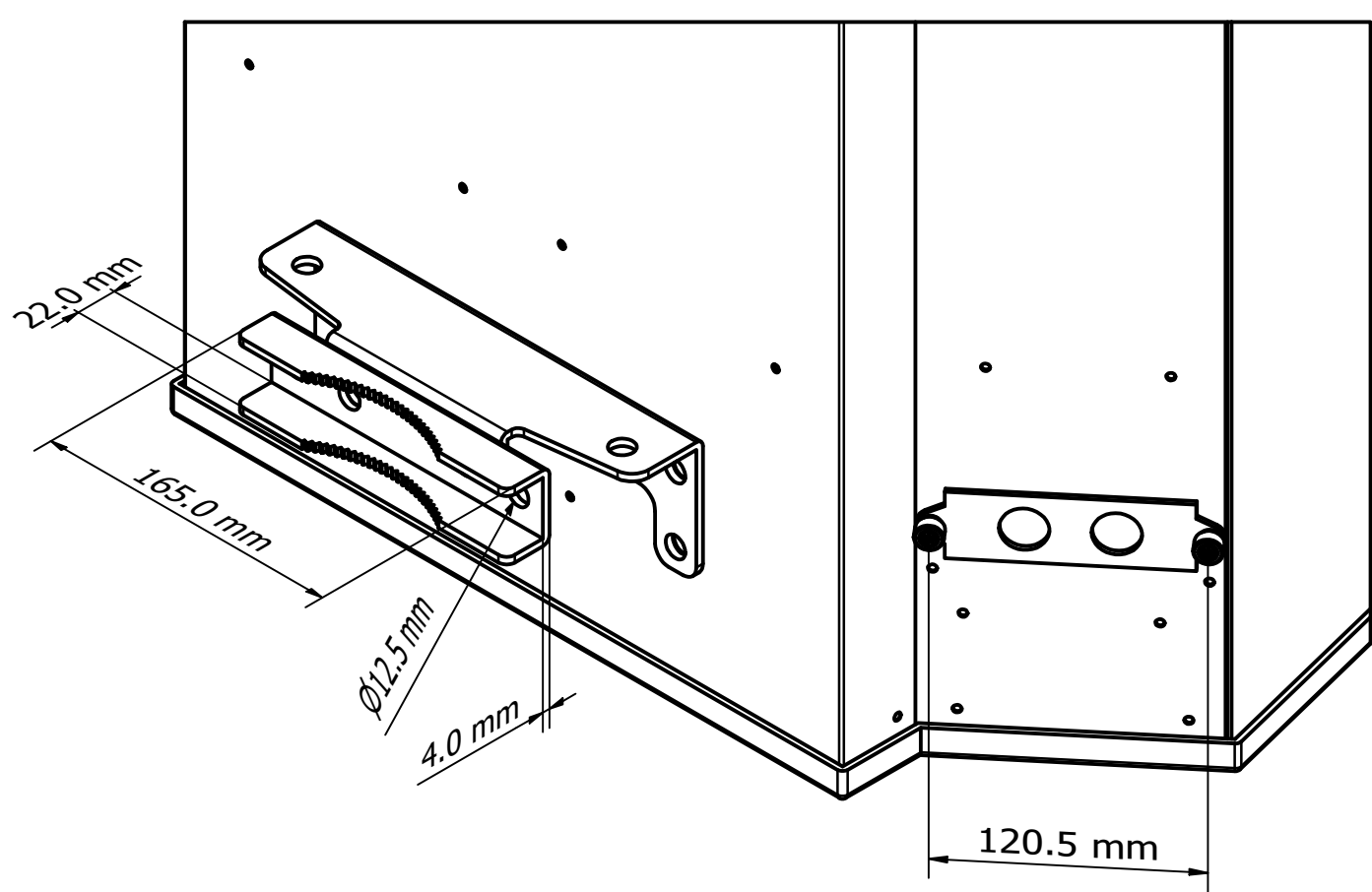


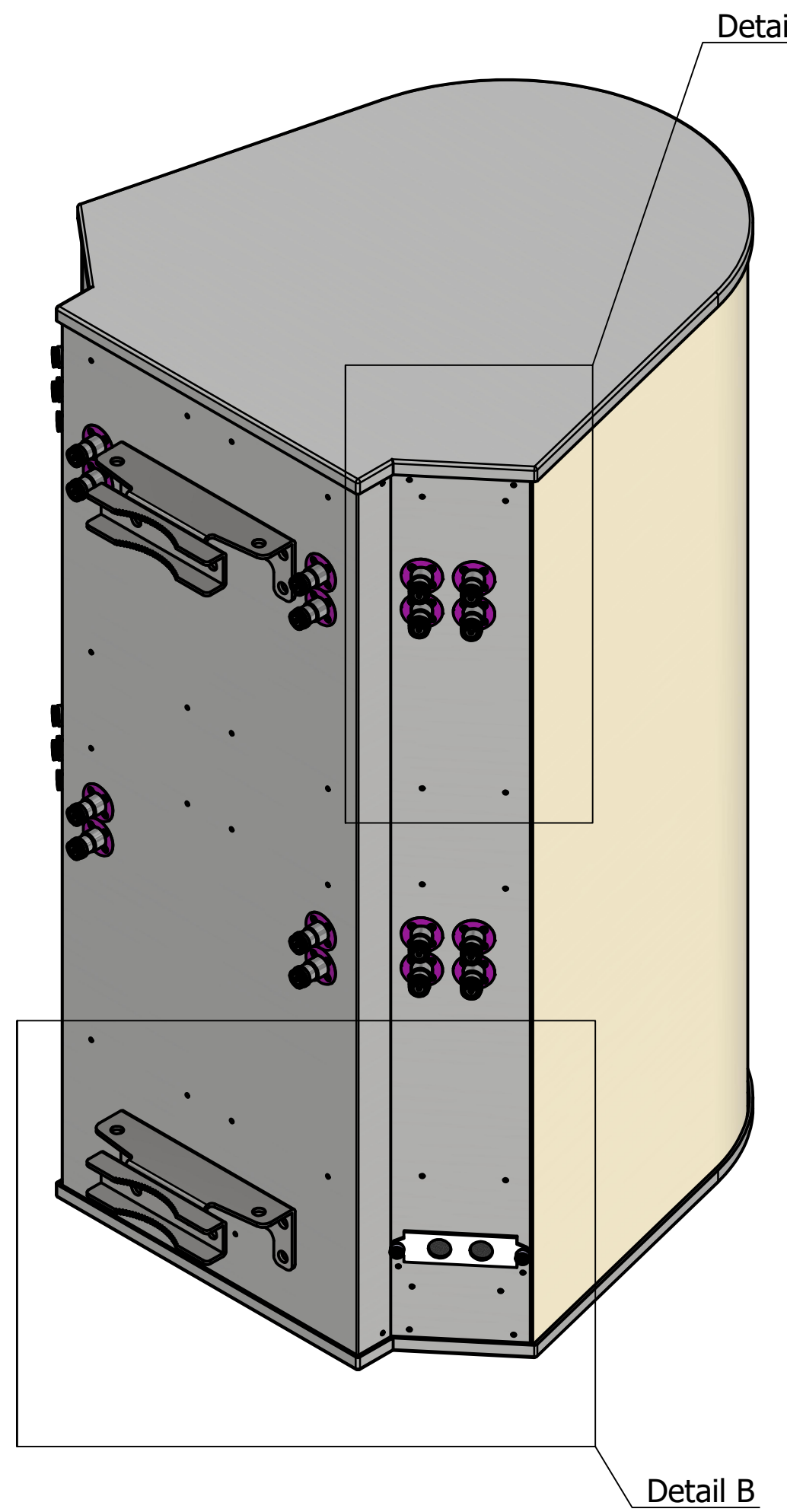
Designed by VIGNESH	Drawing by LAWRENCE	Date 22/10/2024	Approved by PAVEL	Date 10/11/2024	Quantity	Material
<b>MATSING</b> LENS TECHNOLOGY ENABLED						MS-MBA-6-C4
					MS-MBA-6-C4 (mm)	Revision 1.0
					Sheet 1 / 3	



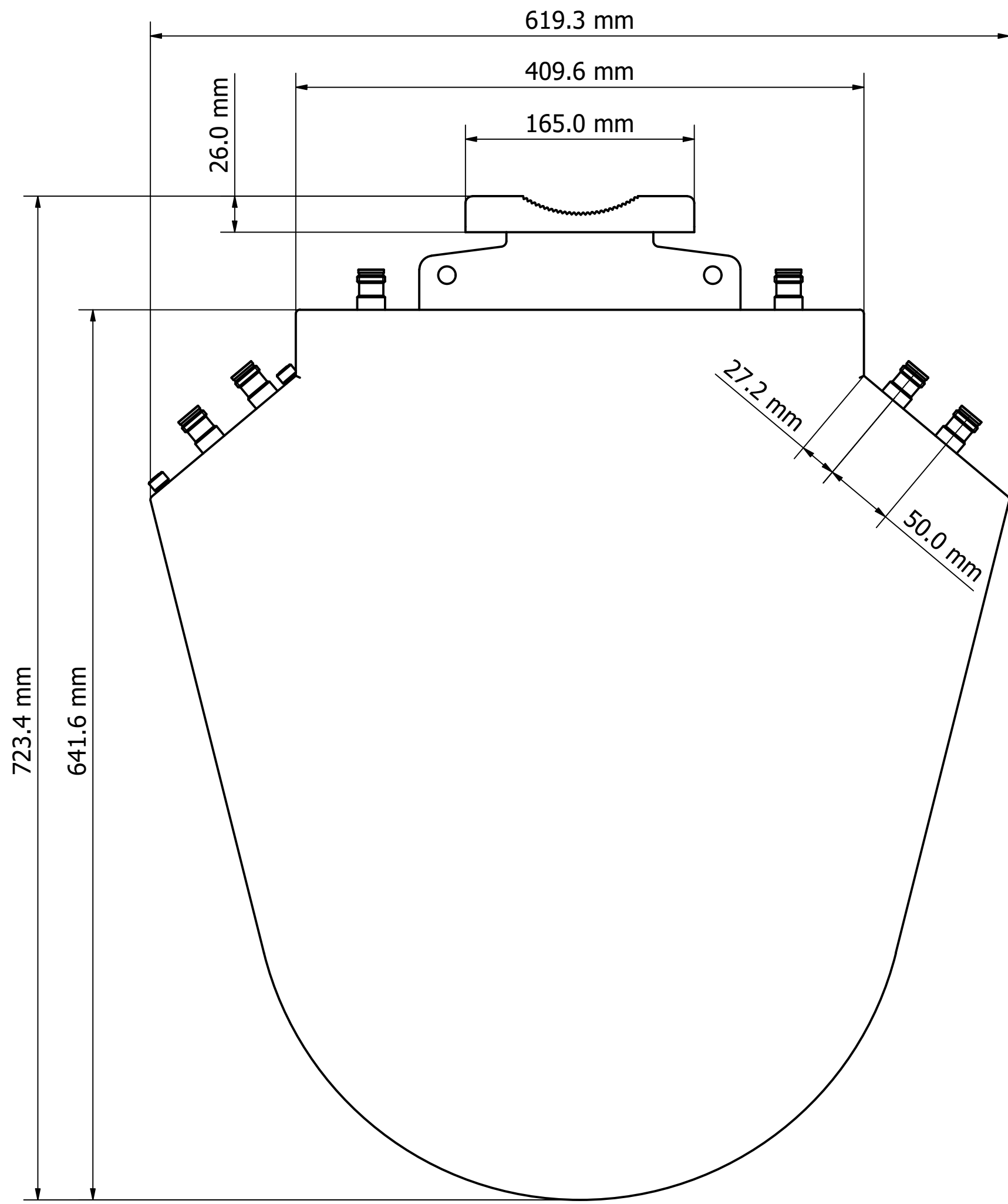
Detail A



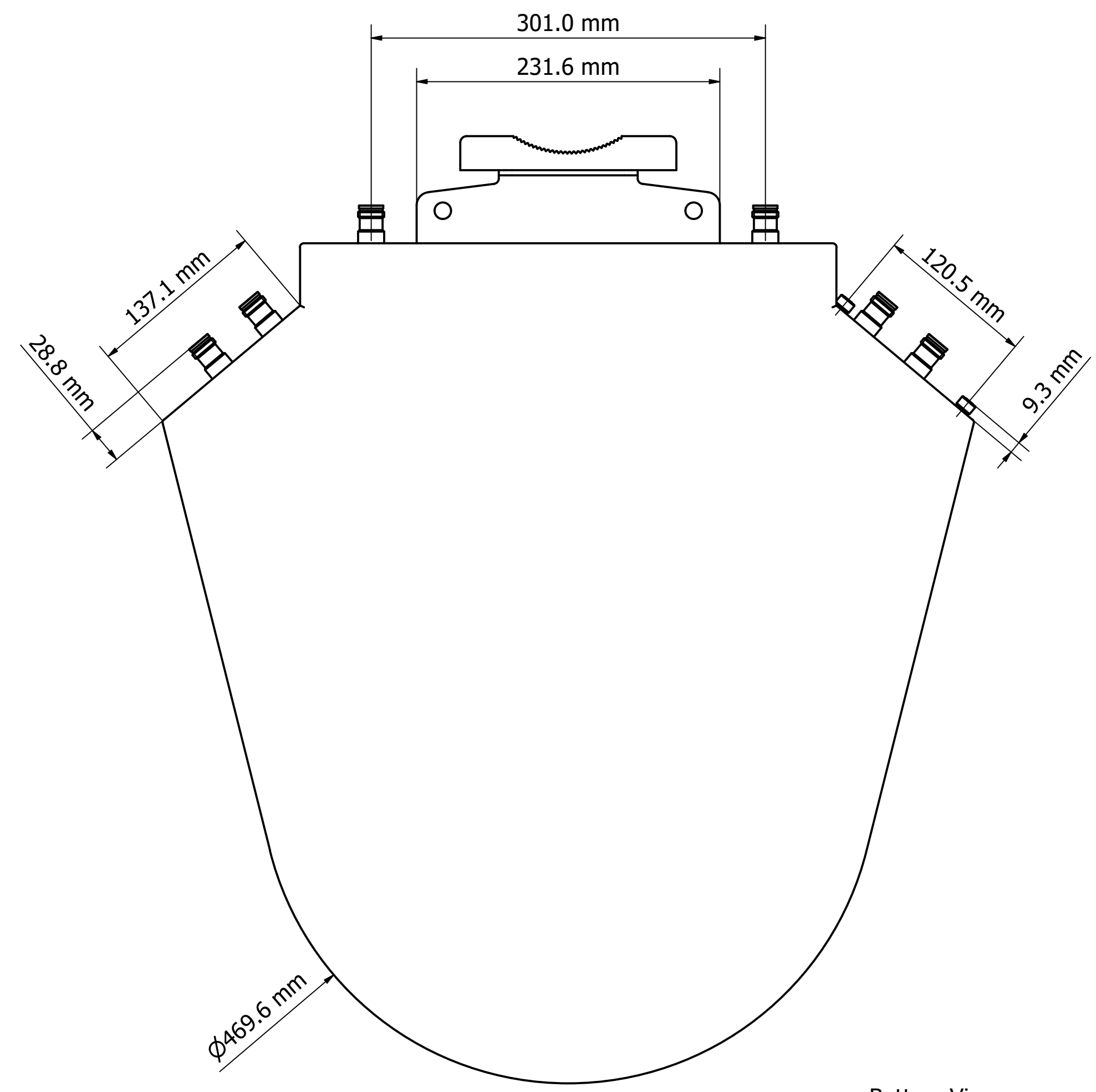
Detail B



Designed by VIGNESH	Drawing by LAWRENCE	Date 22/10/2024	Approved by PAVEL	Date 10/11/2024	Quantity	Material
<b>MATSING</b> LENS TECHNOLOGY ENABLED						MS-MBA-6-C4
MS-MBA-6-C4 (mm)					Revision 1.0	Sheet 2 / 3



Top View



Bottom View

Designed by VIGNESH	Drawing by LAWRENCE	Date 22/10/2024	Approved by PAVEL	Date 10/11/2024	Quantity	Material
<b>MATSING</b> LENS TECHNOLOGY ENABLED						MS-MBA-6-C4
MS-MBA-6-C4 (mm)					Revision 1.0	Sheet 3 / 3