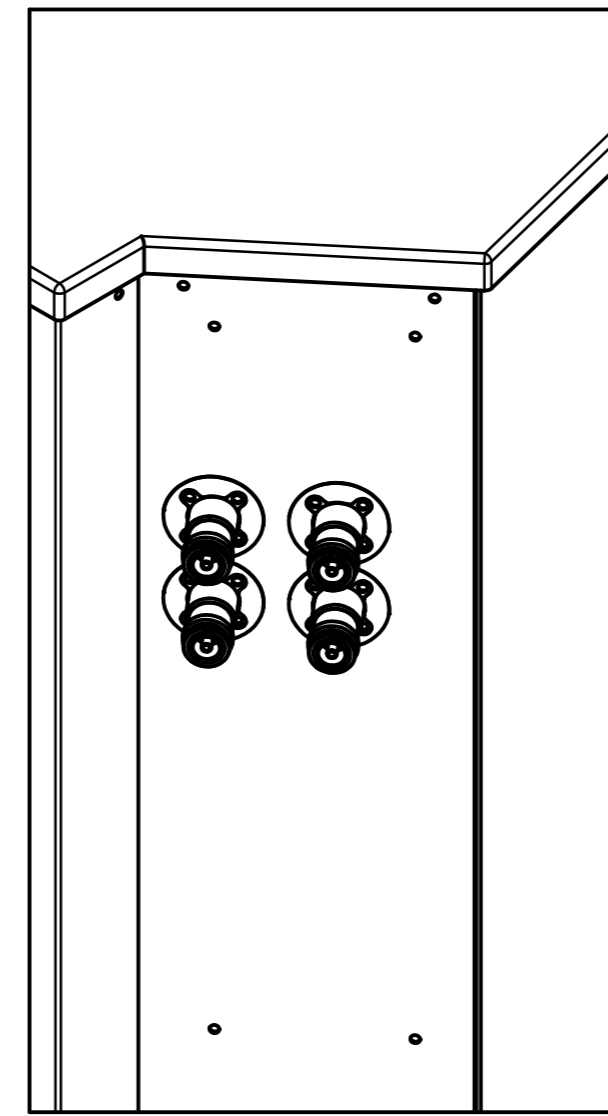
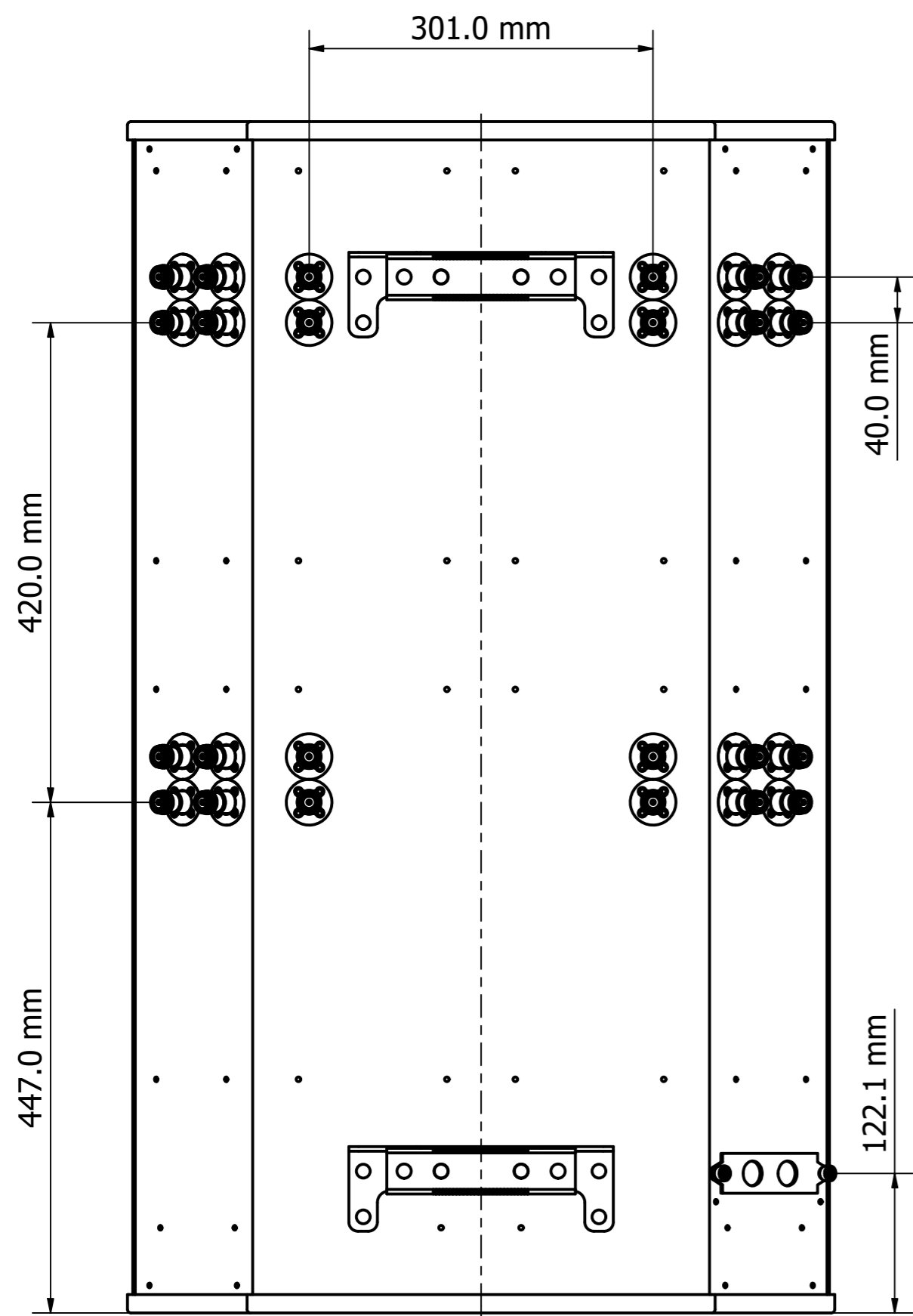
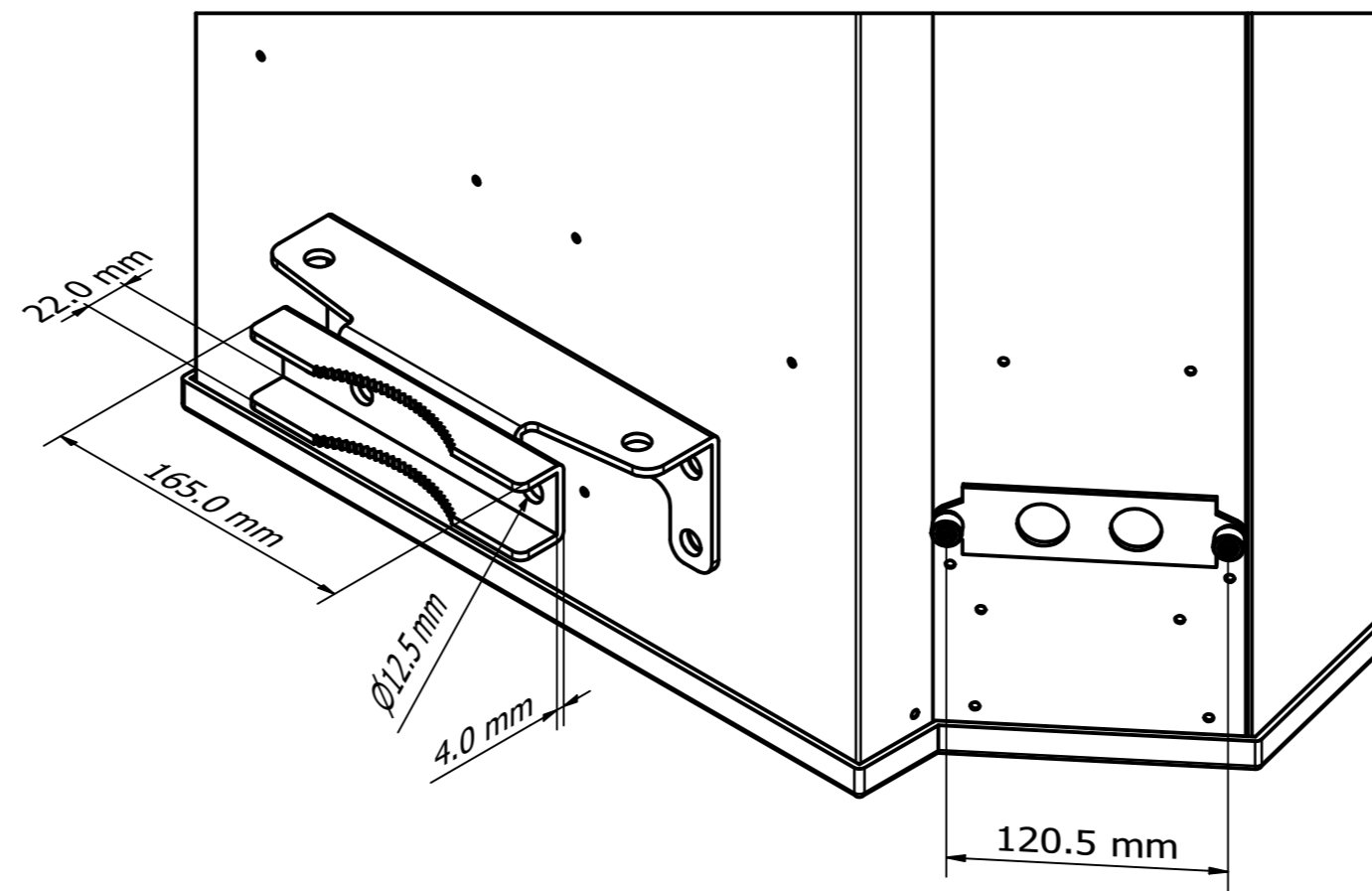


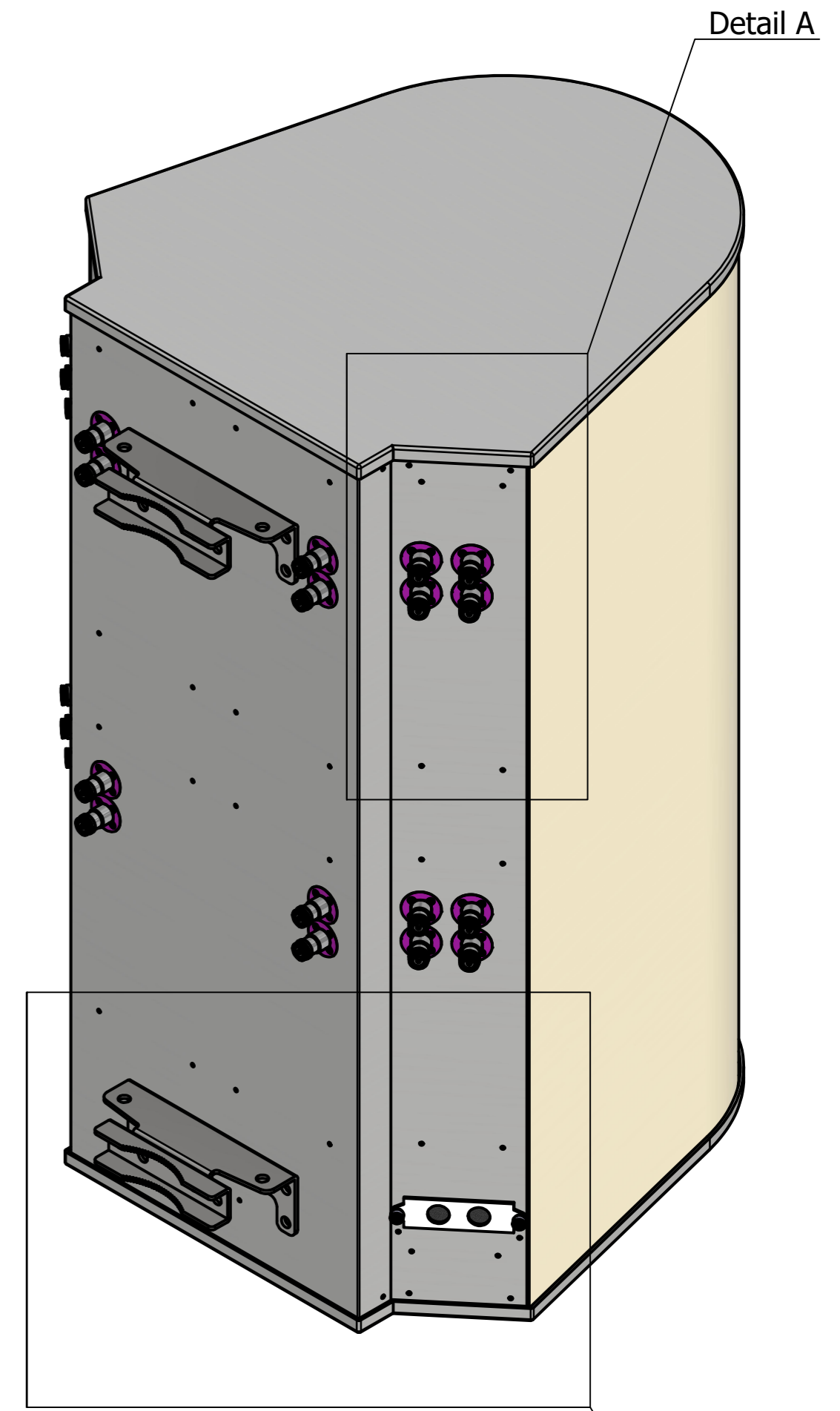
Designed by VIGNESH	Drawing by LAWRENCE	Date 2/8/2024	Approved by PAVEL	Date 10/11/2024	Quantity	Material
<b>MATSING</b> LENS TECHNOLOGY ENABLED						MS-MBA-6-F4
					MS-MBA-6-F4 (mm)	Revision 1.0
					Sheet 1 / 3	



Detail A

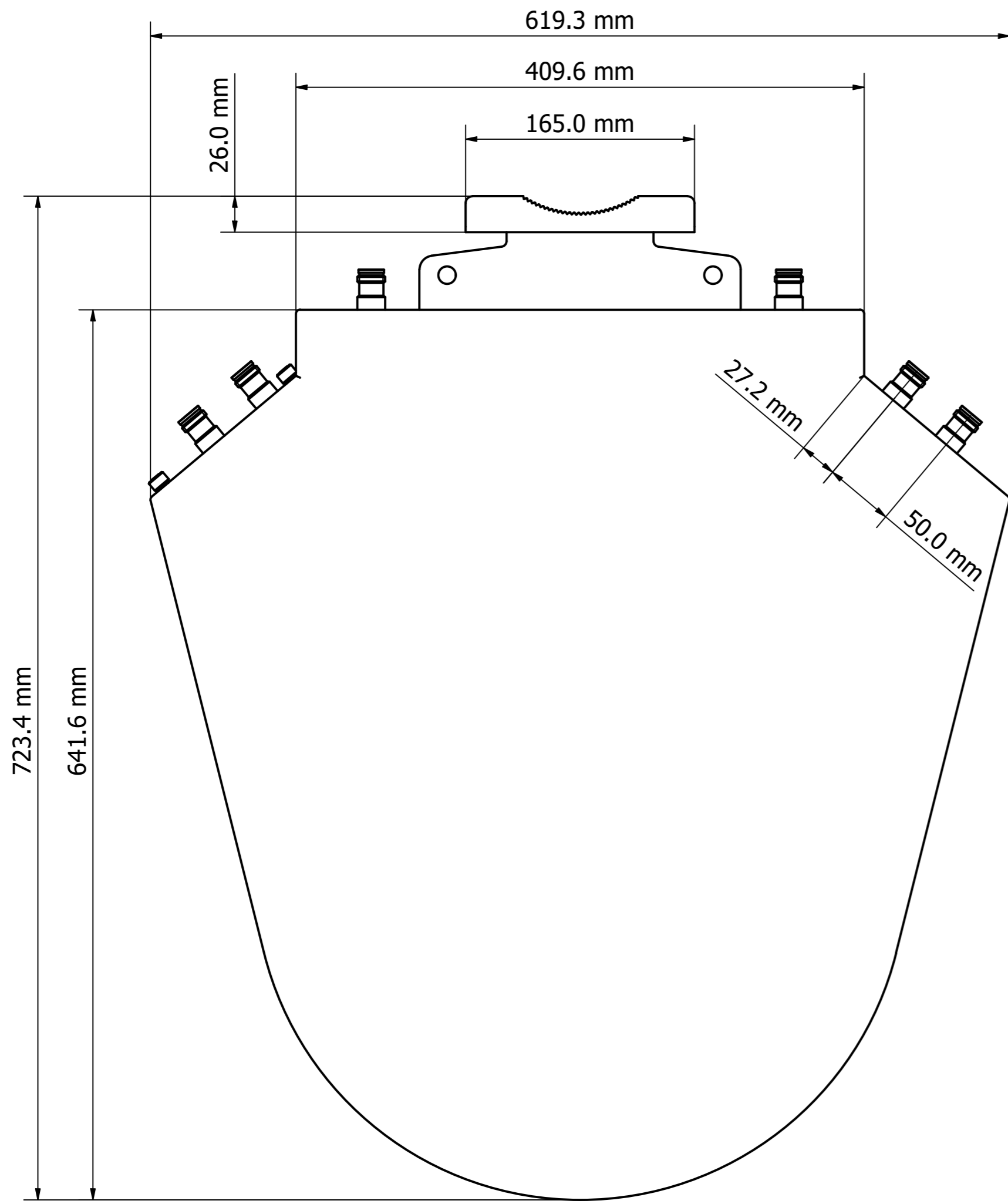


Detail B

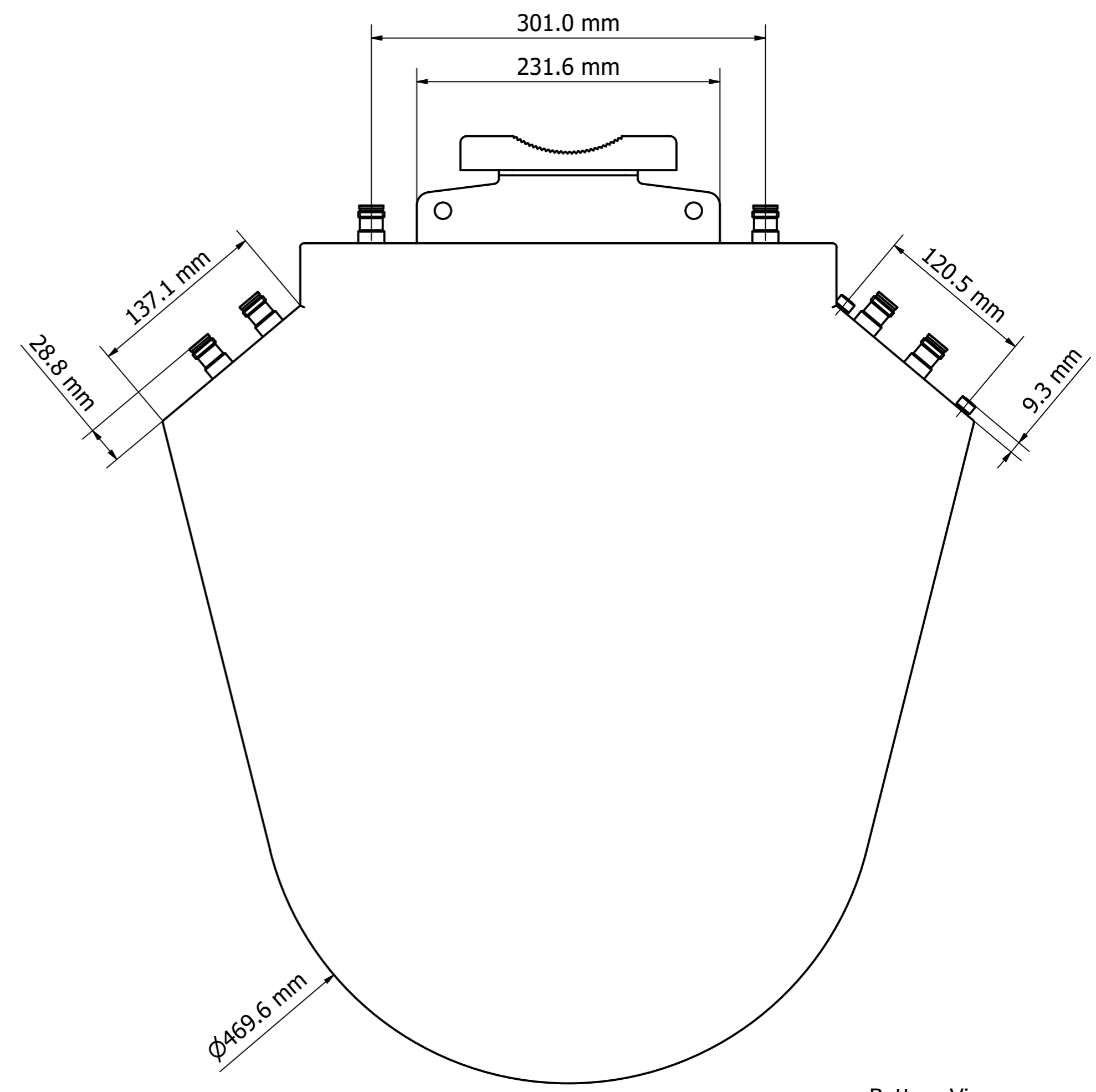


Detail B

Designed by	Drawing by	Date	Approved by	Date	Quantity	Material
VIGNESH	LAWRENCE	2/8/2024	PAVEL	10/11/2024		
<b>MATSING</b> LENS TECHNOLOGY ENABLED						MS-MBA-6-F4
						MS-MBA-6-F4 (mm)
						Revision 1.0
						Sheet 2 / 3



Top View



Bottom View

Designed by VIGNESH	Drawing by LAWRENCE	Date 2/8/2024	Approved by PAVEL	Date 10/11/2024	Quantity	Material
<b>MATSING</b> LENS TECHNOLOGY ENABLED						MS-MBA-6-F4
MS-MBA-6-F4 (mm)					Revision 1.0	Sheet 3 / 3