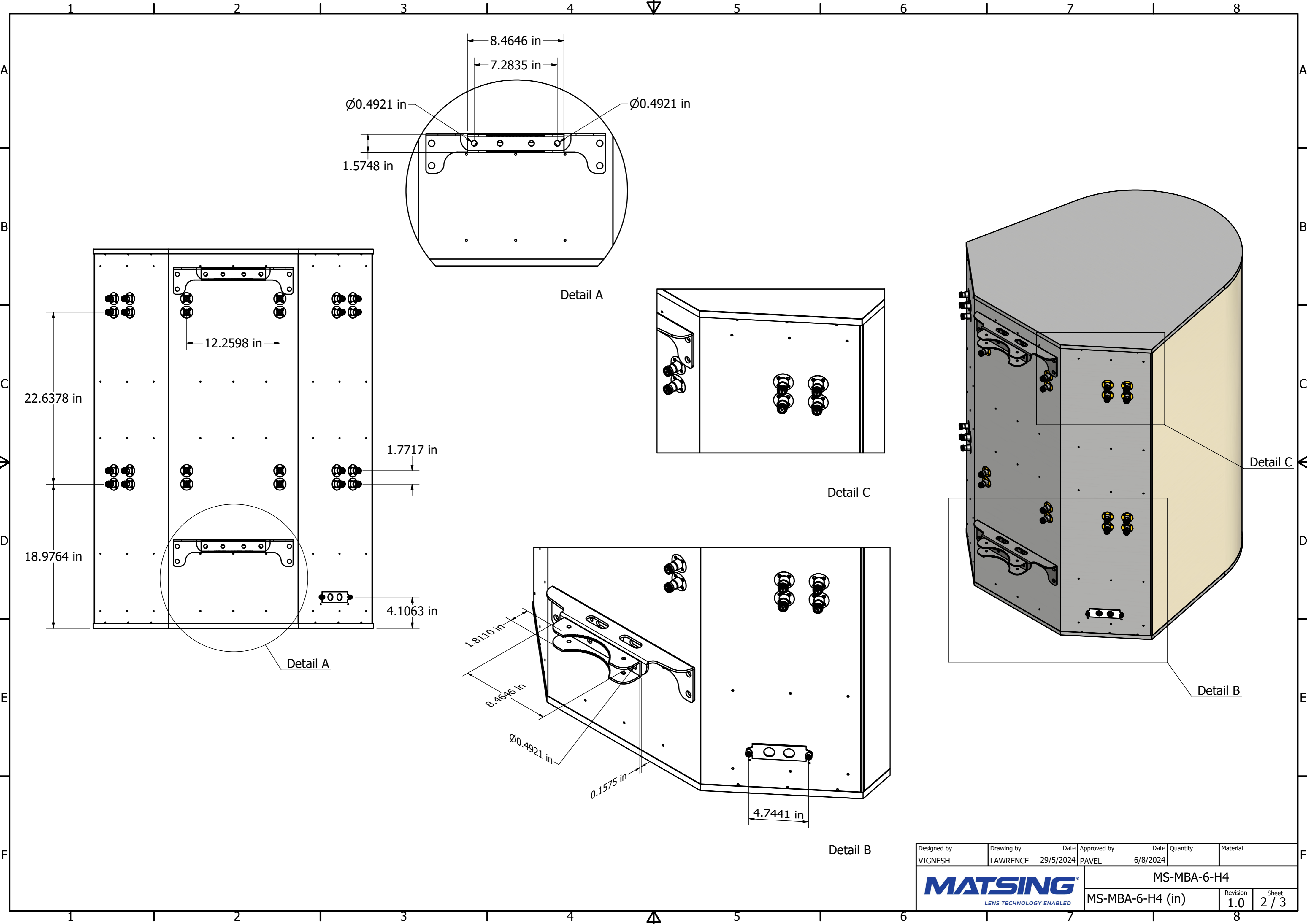
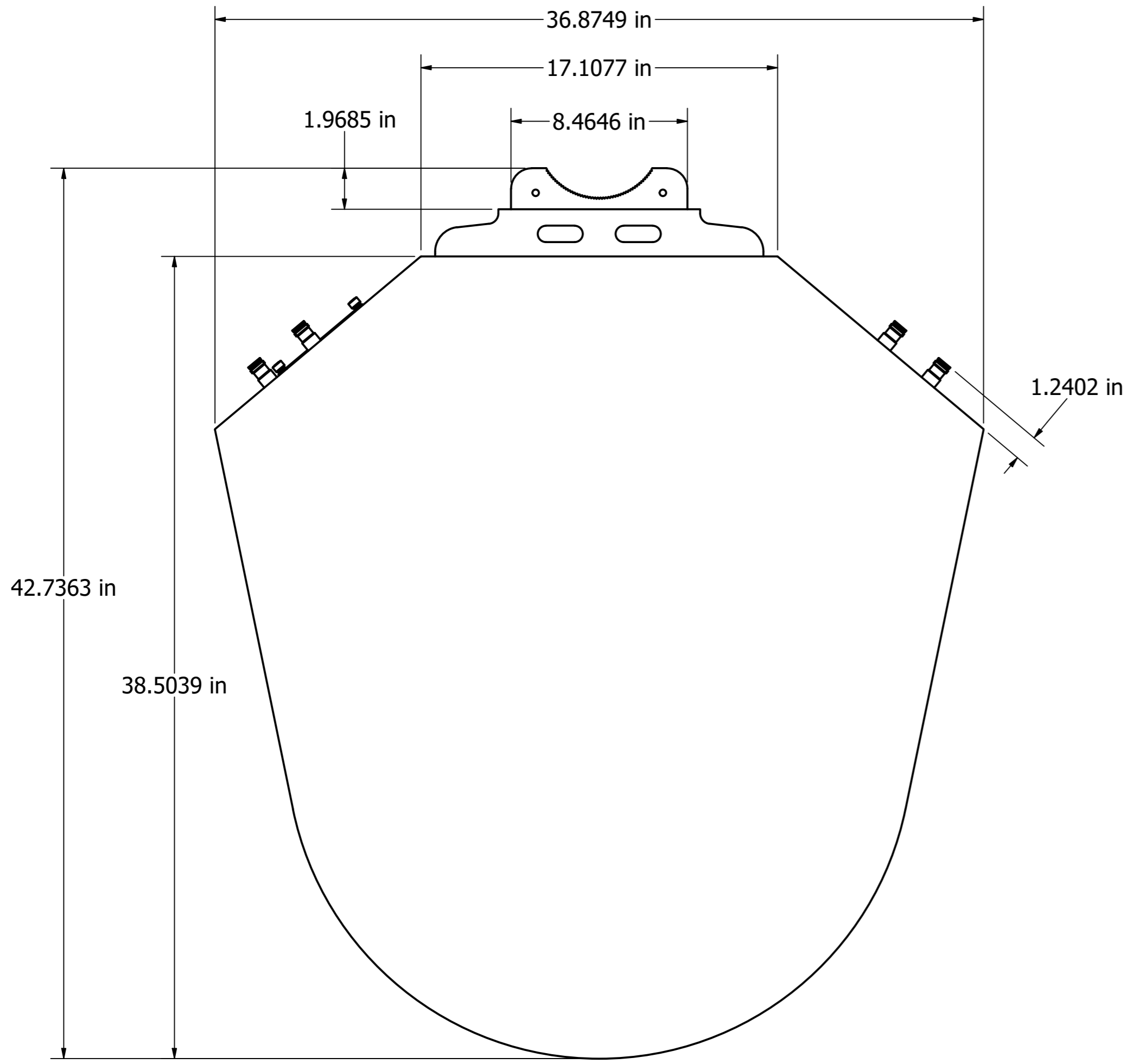


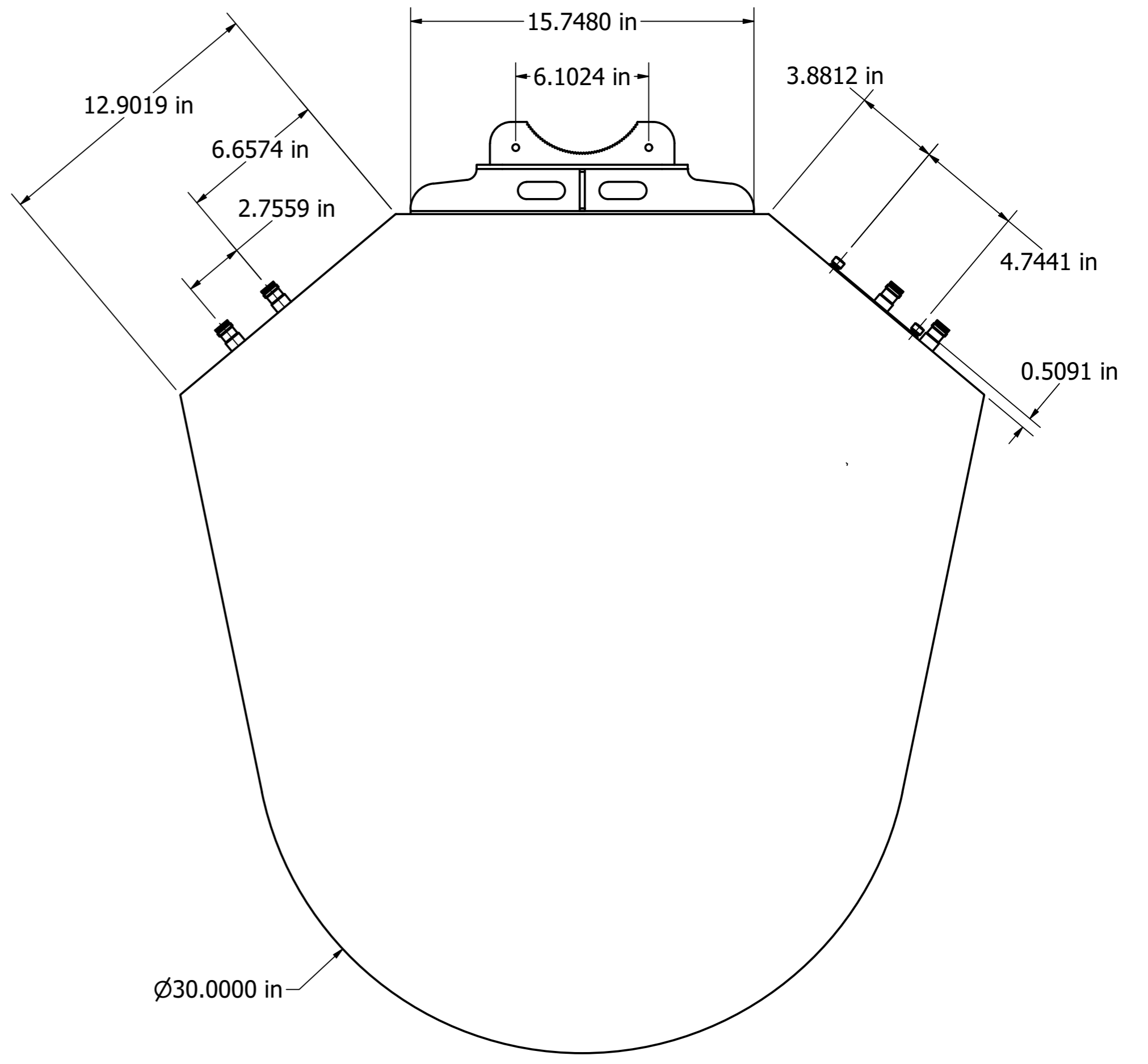
Designed by VIGNESH	Drawing by LAWRENCE	Date 29/5/2024	Approved by PAVEL	Date 6/8/2024	Quantity	Material
MATSING LENS TECHNOLOGY ENABLED						MS-MBA-6-H4
MS-MBA-6-H4 (in)					Revision 1.0	Sheet 1 / 3




Designed by VIGNESH	Drawing by LAWRENCE	Date 29/5/2024	Approved by PAVEL	Date 6/8/2024	Quantity	Material
MATSING LENS TECHNOLOGY ENABLED						MS-MBA-6-H4
MS-MBA-6-H4 (in)					Revision 1.0	Sheet 2 / 3



Top View



Bottom View

Designed by VIGNESH	Drawing by LAWRENCE	Date 29/5/2024	Approved by PAVEL	Date 6/8/2024	Quantity	Material
						MS-MBA-6-H4
						MS-MBA-6-H4 (in)