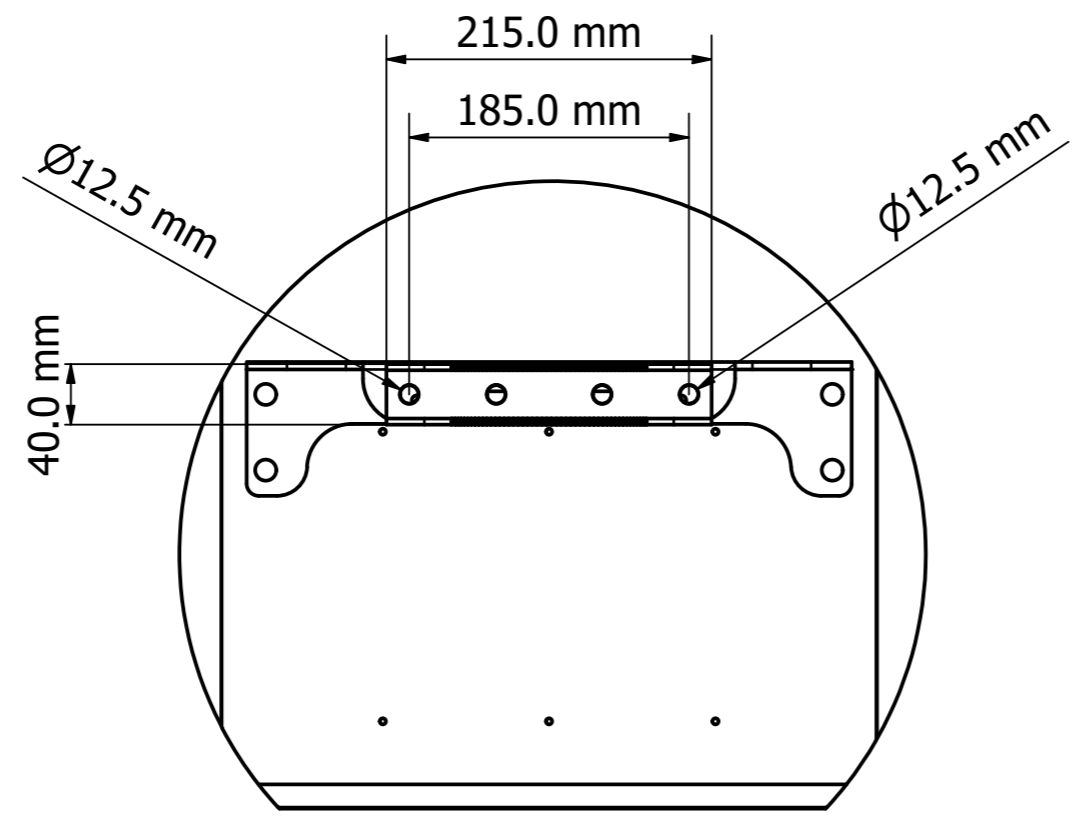
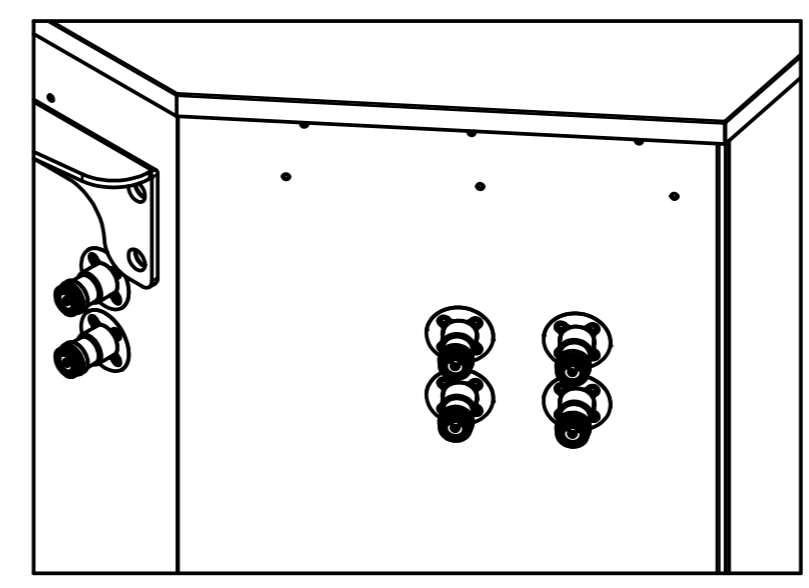


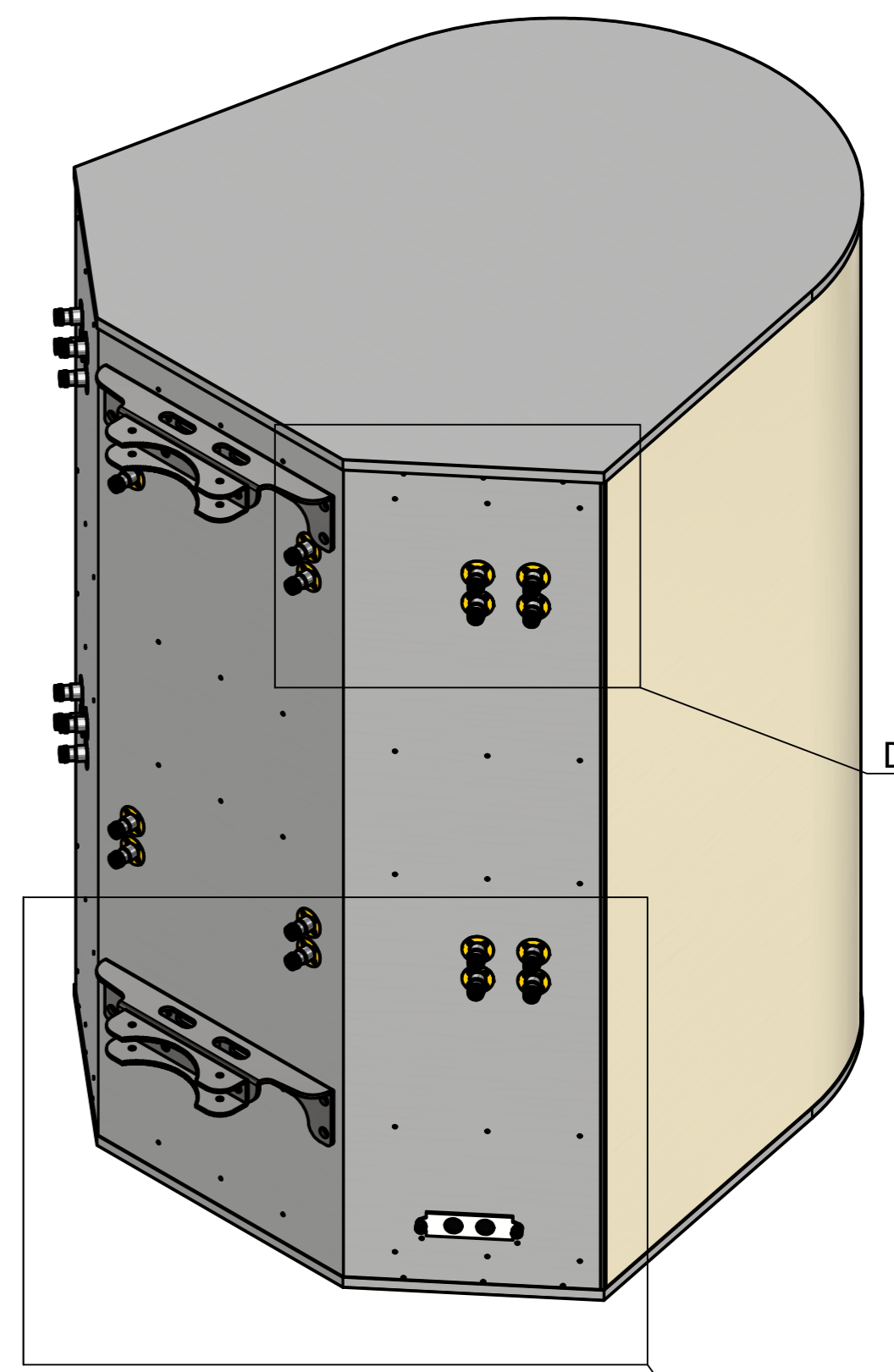
Designed by VIGNESH	Drawing by LAWRENCE	Date 29/5/2024	Approved by PAVEL	Date 6/8/2024	Quantity	Material
MATSING LENS TECHNOLOGY ENABLED						MS-MBA-6-H4
					MS-MBA-6-H4 (mm)	Revision 1.0
					Sheet 1 / 3	



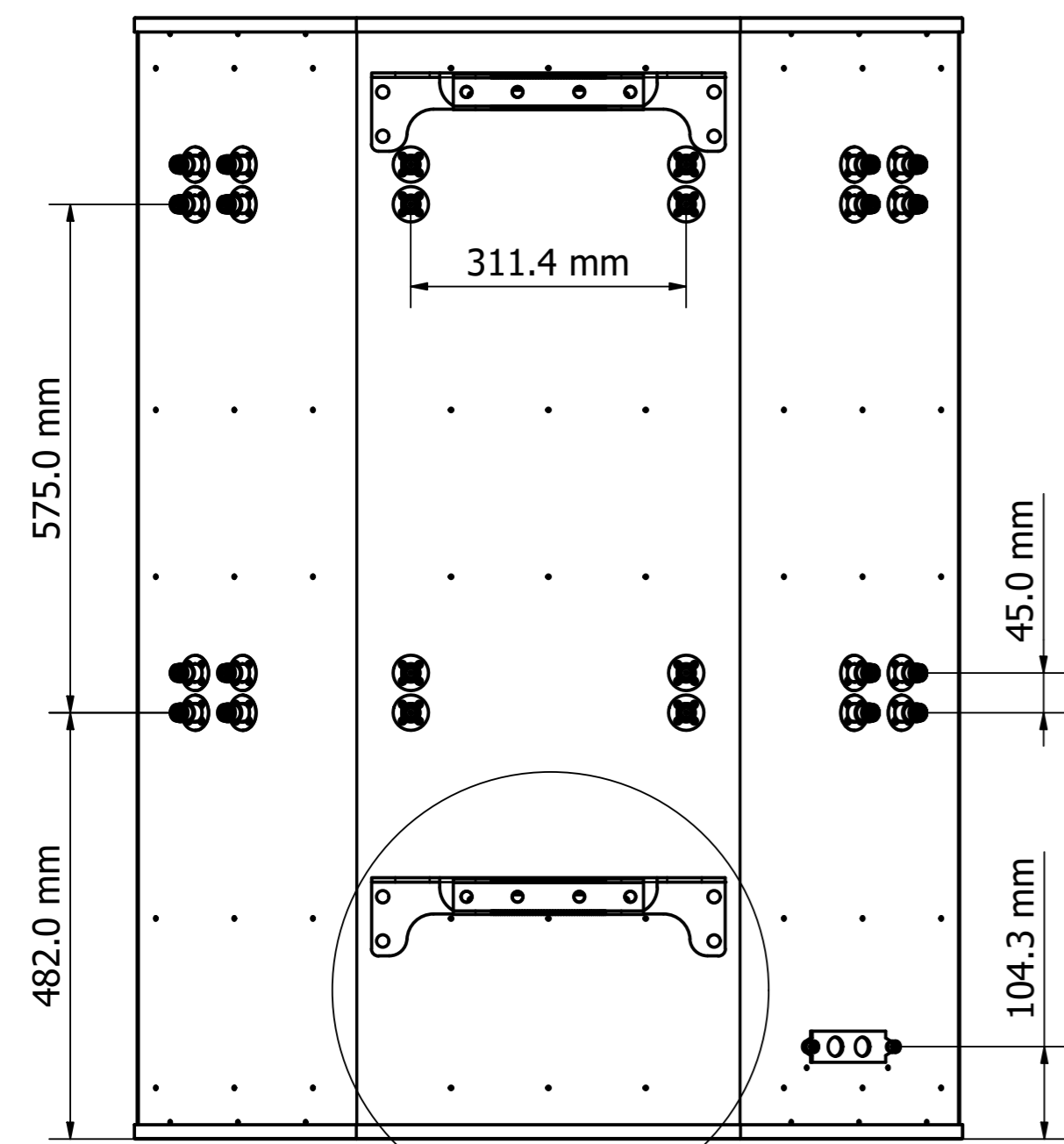
Detail A



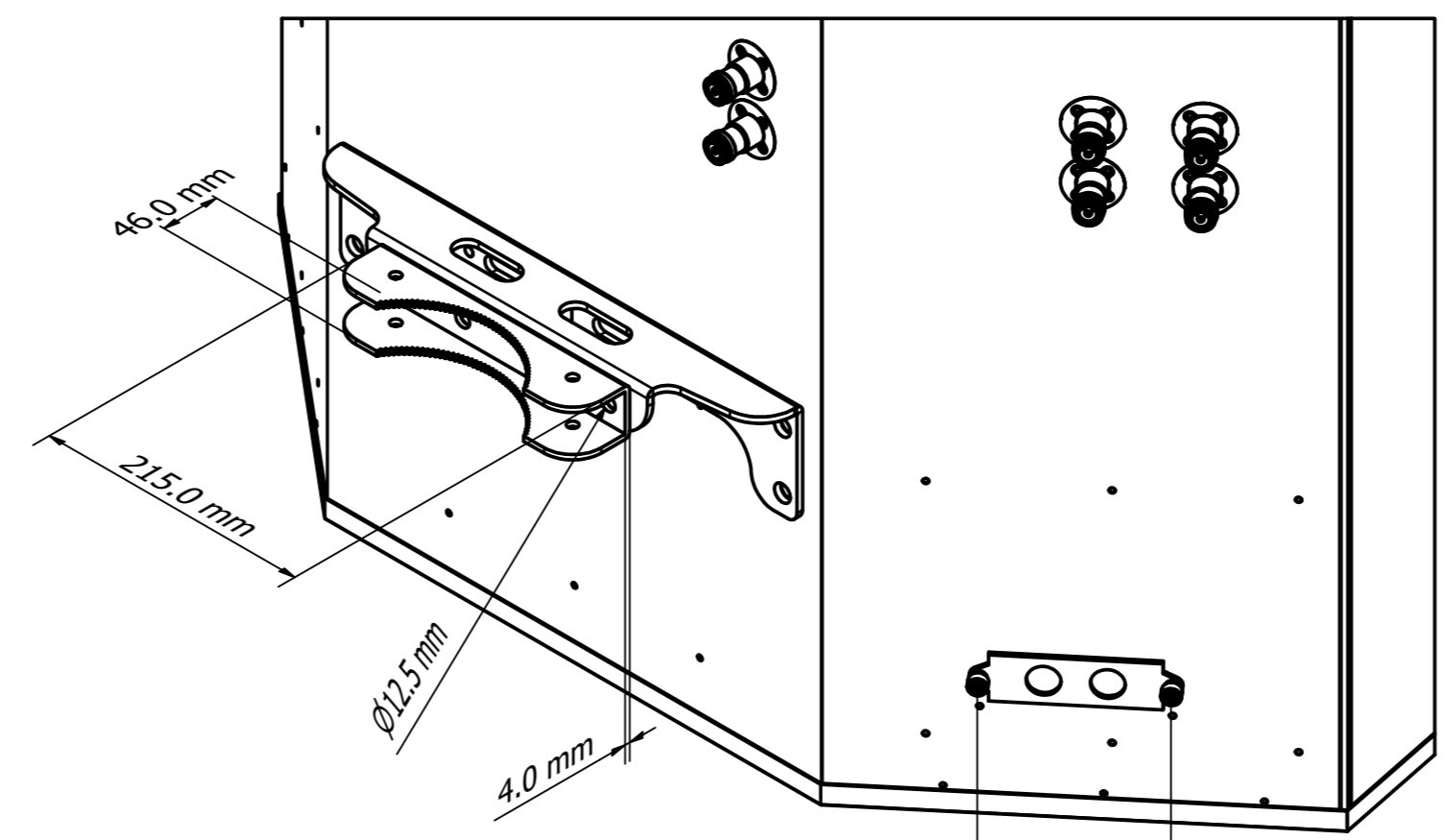
Detail C



Detail B

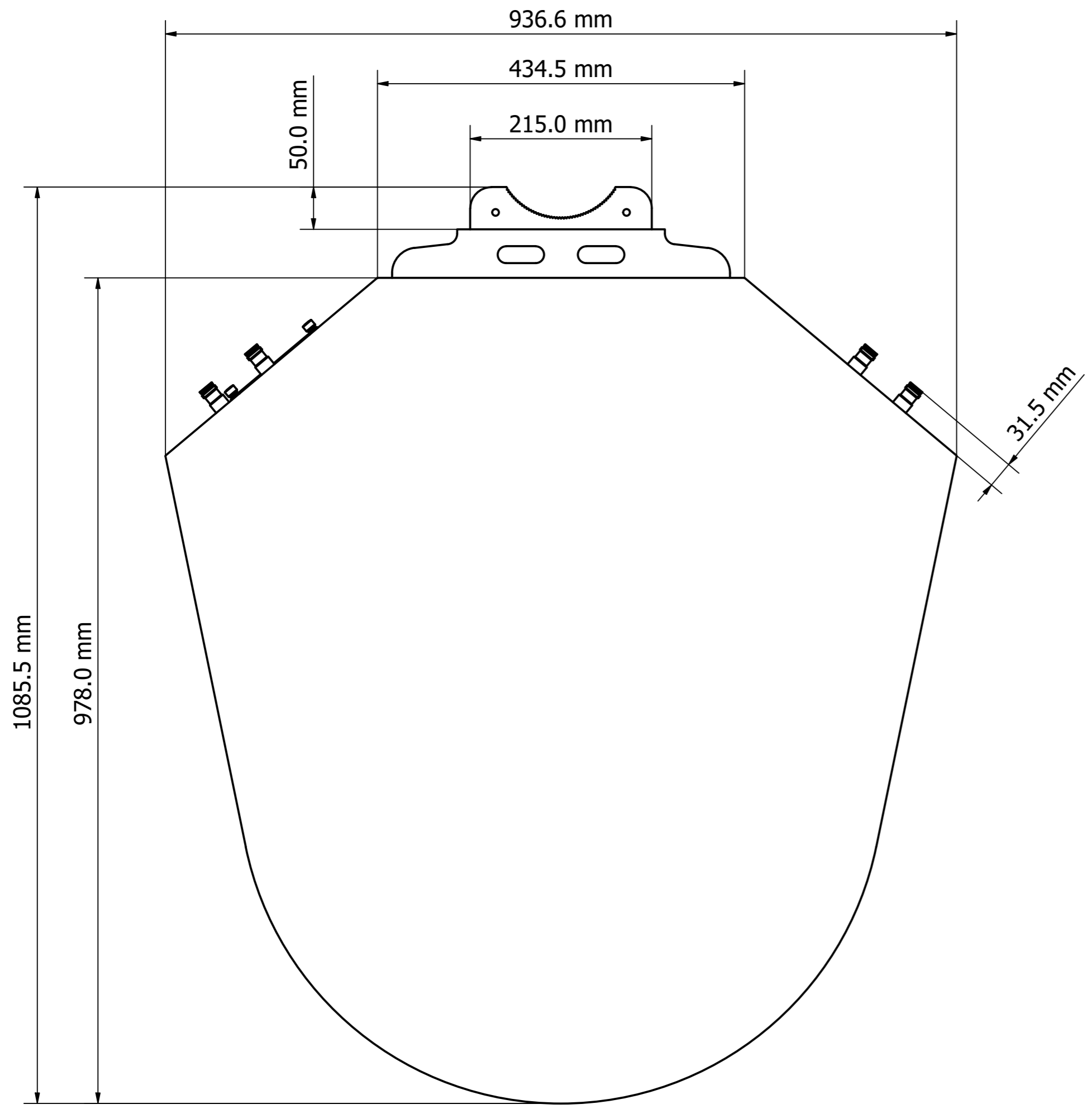


Detail A

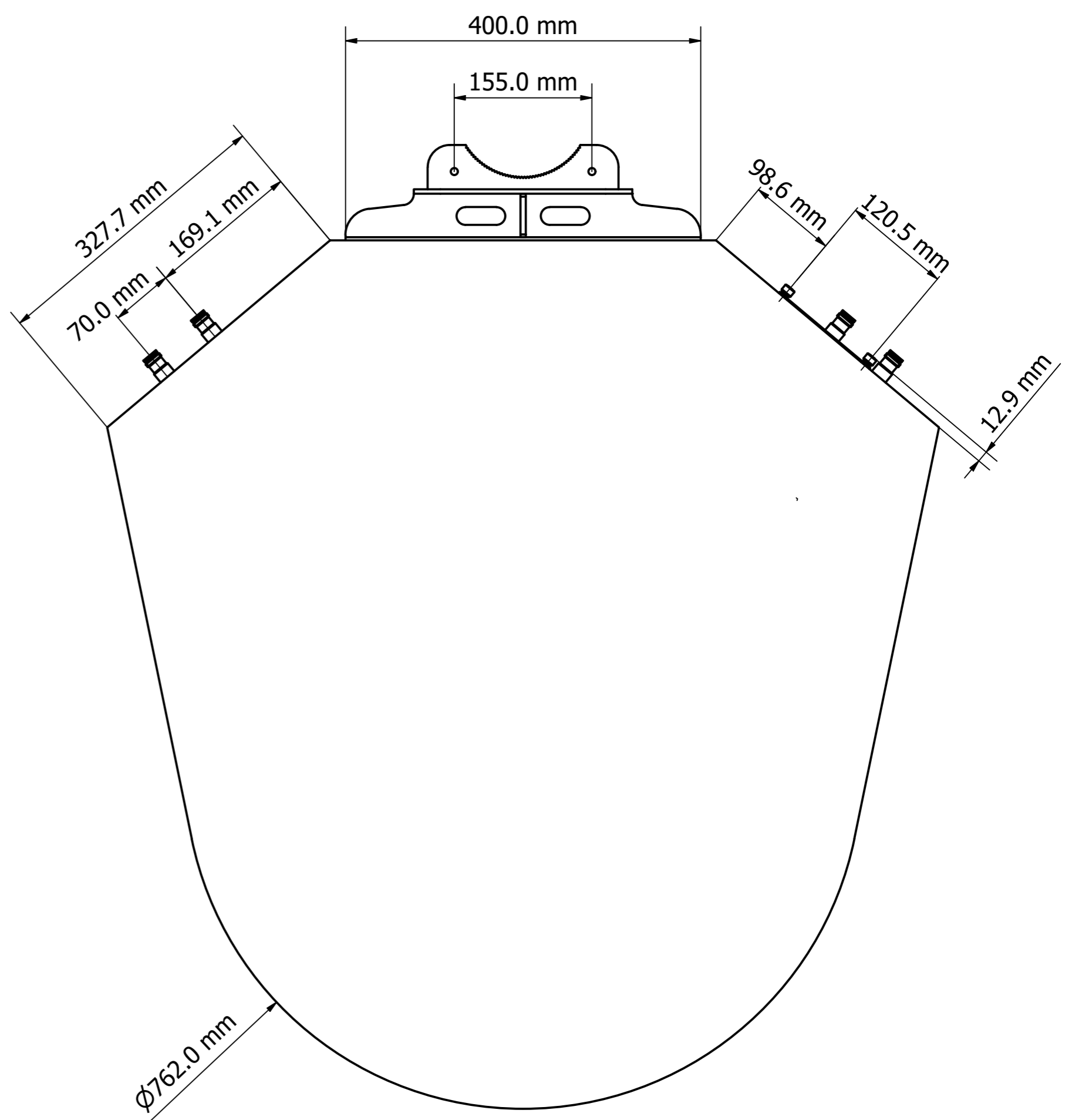


Detail B

Designed by VIGNESH	Drawing by LAWRENCE	Date 29/5/2024	Approved by PAVEL	Date 6/8/2024	Quantity	Material
MATSING LENS TECHNOLOGY ENABLED						MS-MBA-6-H4
MS-MBA-6-H4 (mm)					Revision 1.0	Sheet 2 / 3



Top View



Bottom View

Designed by VIGNESH	Drawing by LAWRENCE	Date 29/5/2024	Approved by PAVEL	Date 6/8/2024	Quantity	Material
MATSING LENS TECHNOLOGY ENABLED						MS-MBA-6-H4
					MS-MBA-6-H4 (mm)	Revision 1.0
					Sheet 3 / 3	