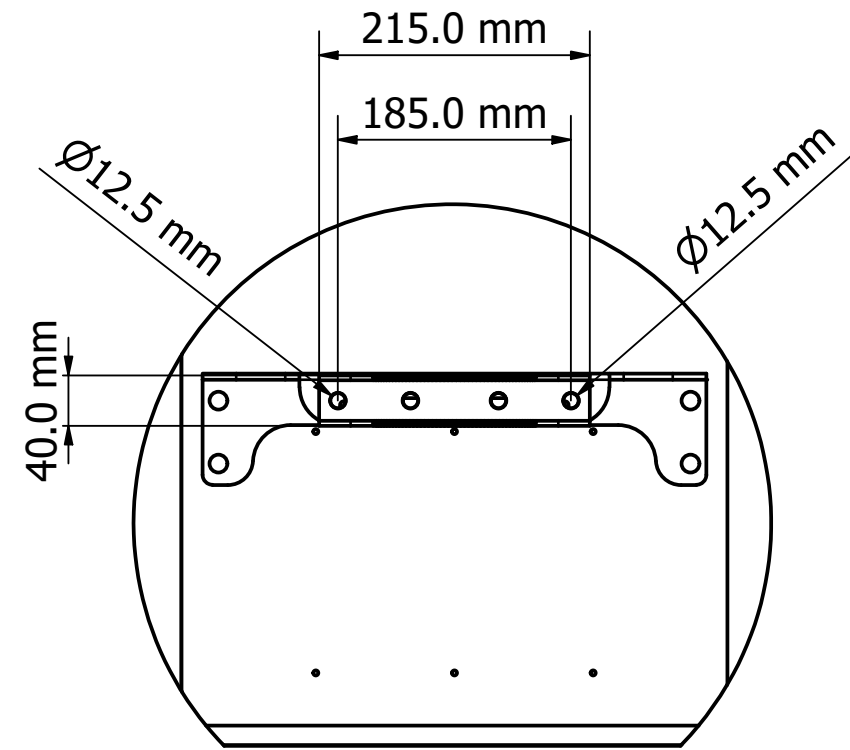
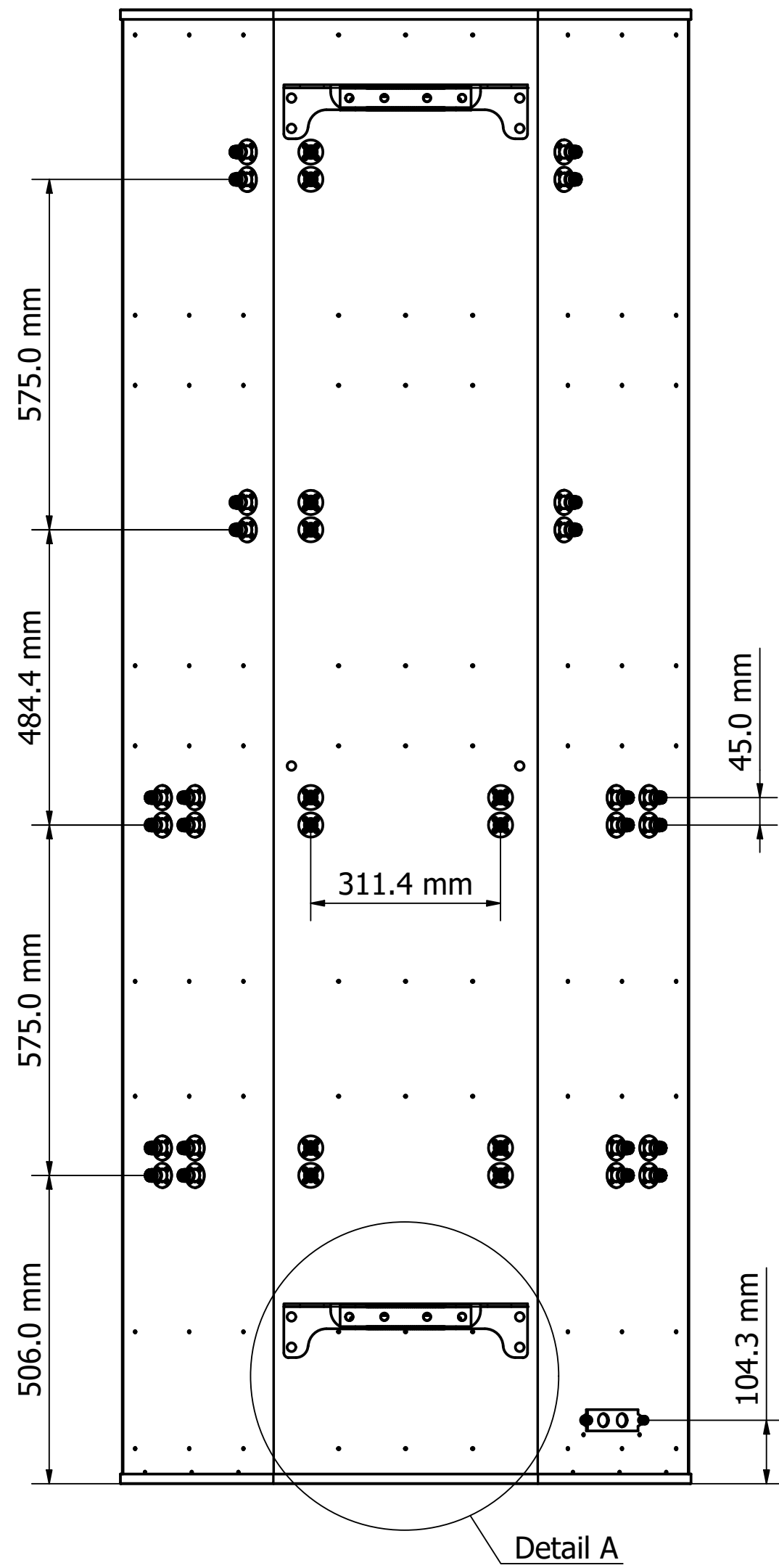
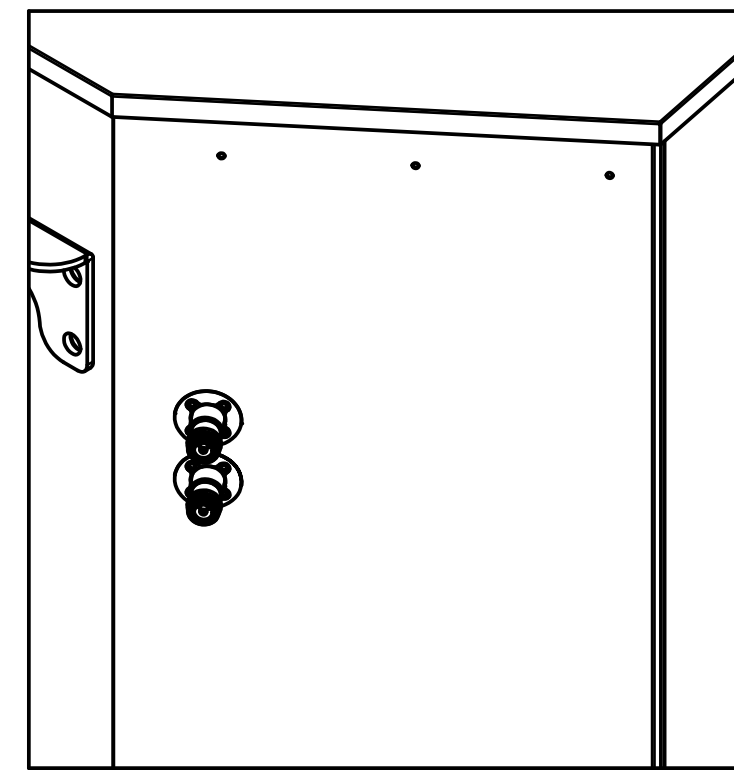


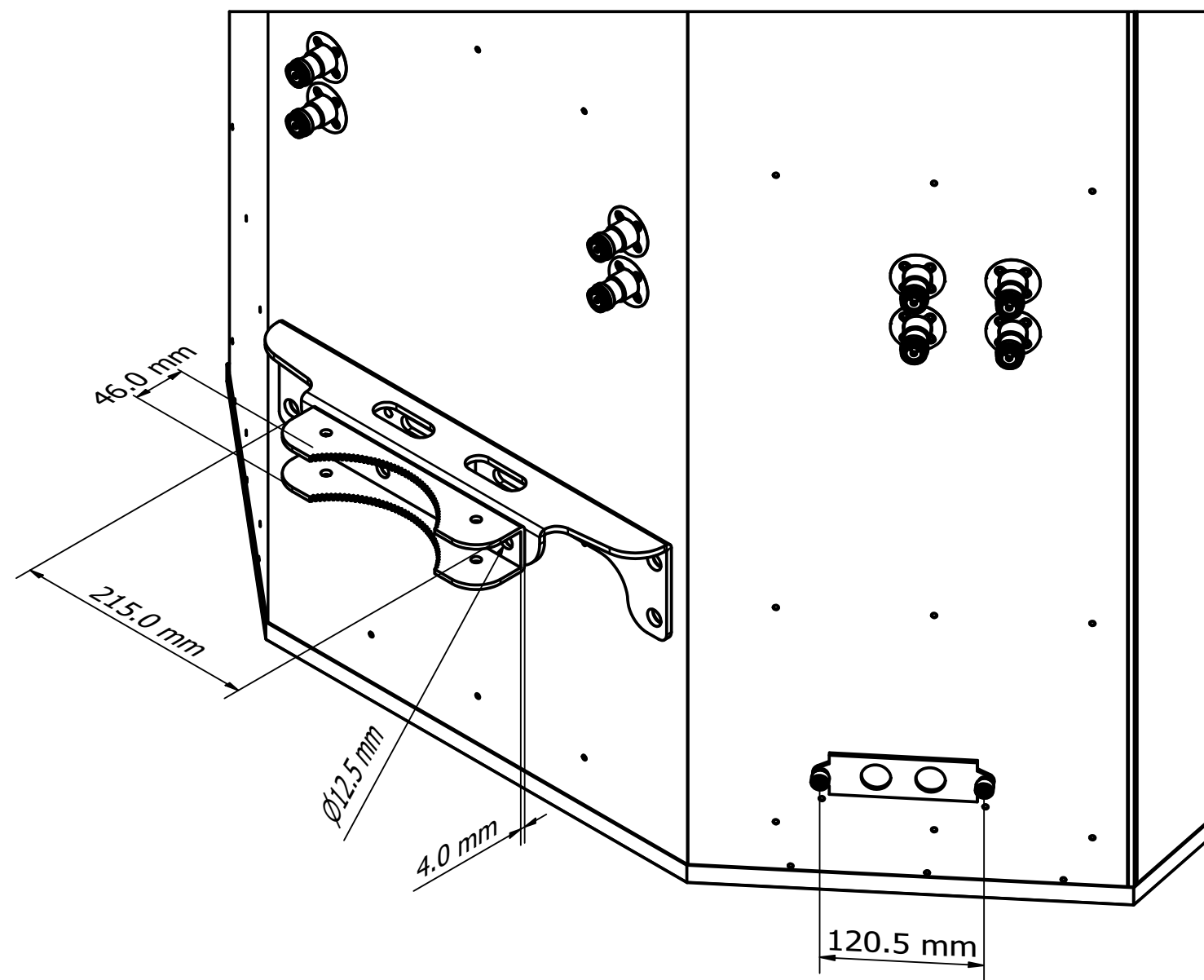
Designed by VIGNESH	Drawing by LAWRENCE	Date 28/5/2024	Approved by PAVEL	Date 31/5/2024	Quantity	Material
<b>MATSING</b> LENS TECHNOLOGY ENABLED						MS-MBA-6.3-H4-L4
MS-MBA-6.3-H4-L4 (mm)					Revision 1.0	Sheet 1 / 3



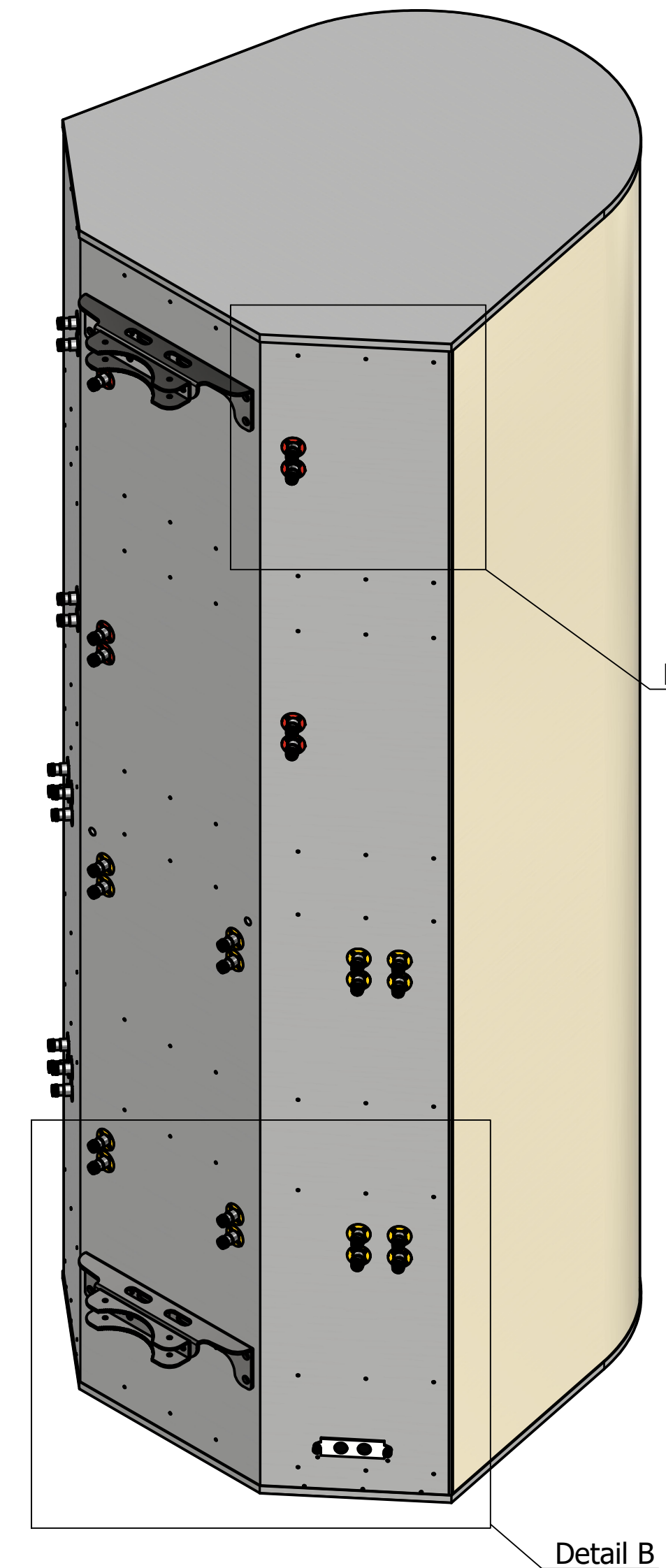
Detail A



Detail C

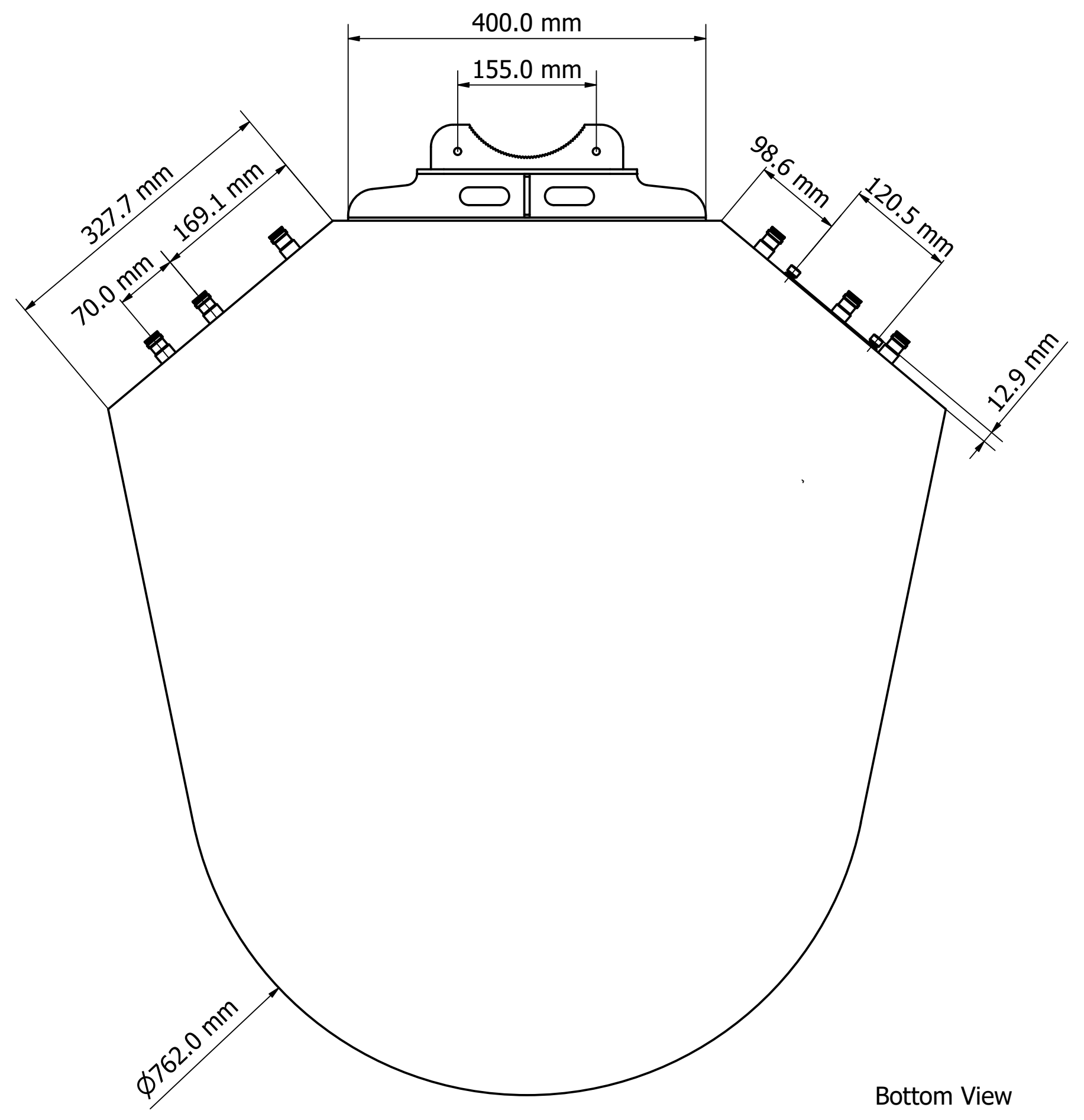
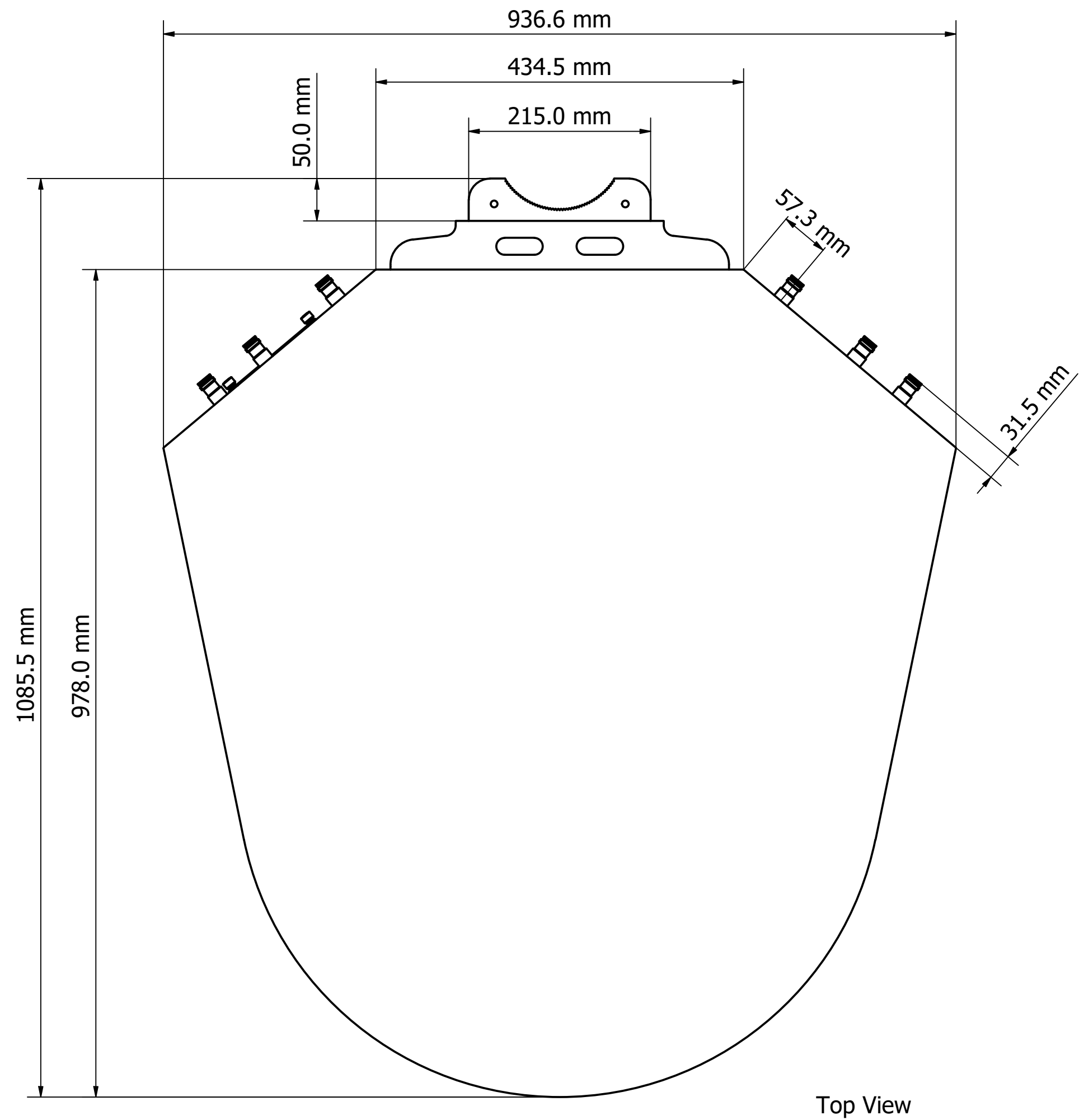


Detail B



Detail B

Designed by VIGNESH	Drawing by LAWRENCE	Date 28/5/2024	Approved by PAVEL	Date 31/5/2024	Quantity	Material
<b>MATSING</b> LENS TECHNOLOGY ENABLED						MS-MBA-6.3-H4-L4
MS-MBA-6.3-H4-L4 (mm)					Revision 1.0	Sheet 2 / 3



Designed by VIGNESH	Drawing by LAWRENCE	Date 28/5/2024	Approved by PAVEL	Date 31/5/2024	Quantity	Material
<b>MATSING</b> LENS TECHNOLOGY ENABLED						MS-MBA-6.3-H4-L4
MS-MBA-6.3-H4-L4 (mm)					Revision 1.0	Sheet 3 / 3