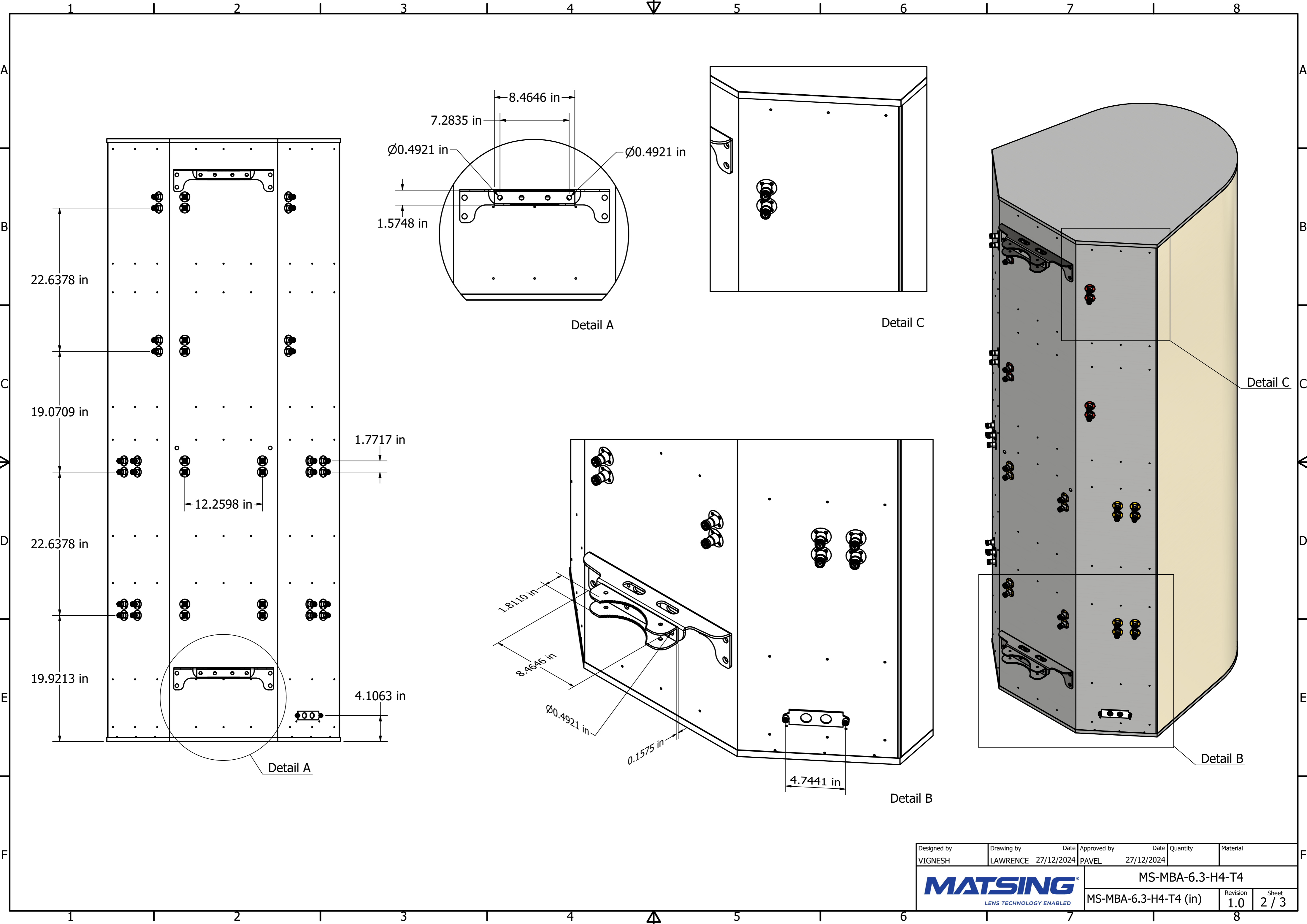
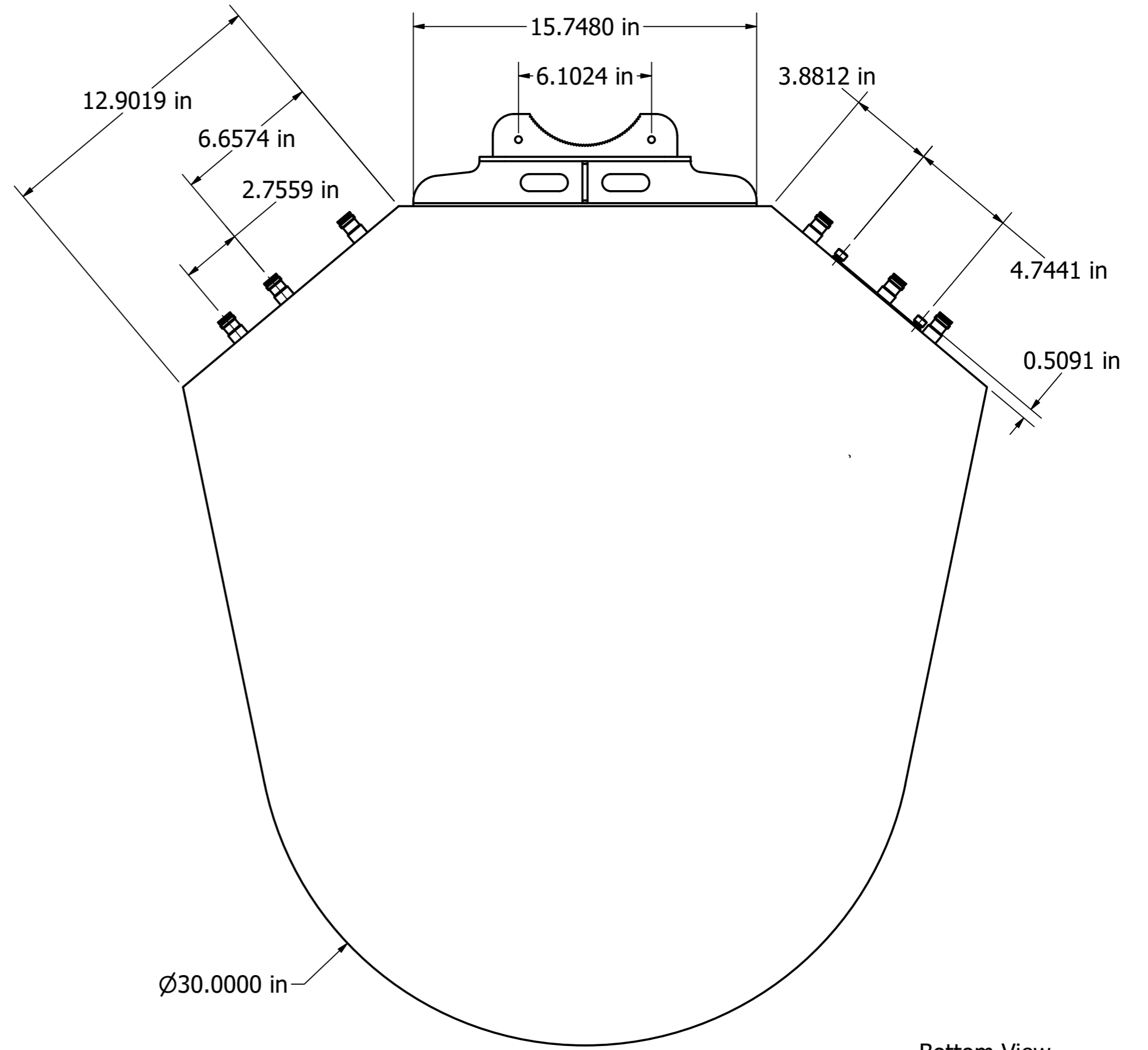
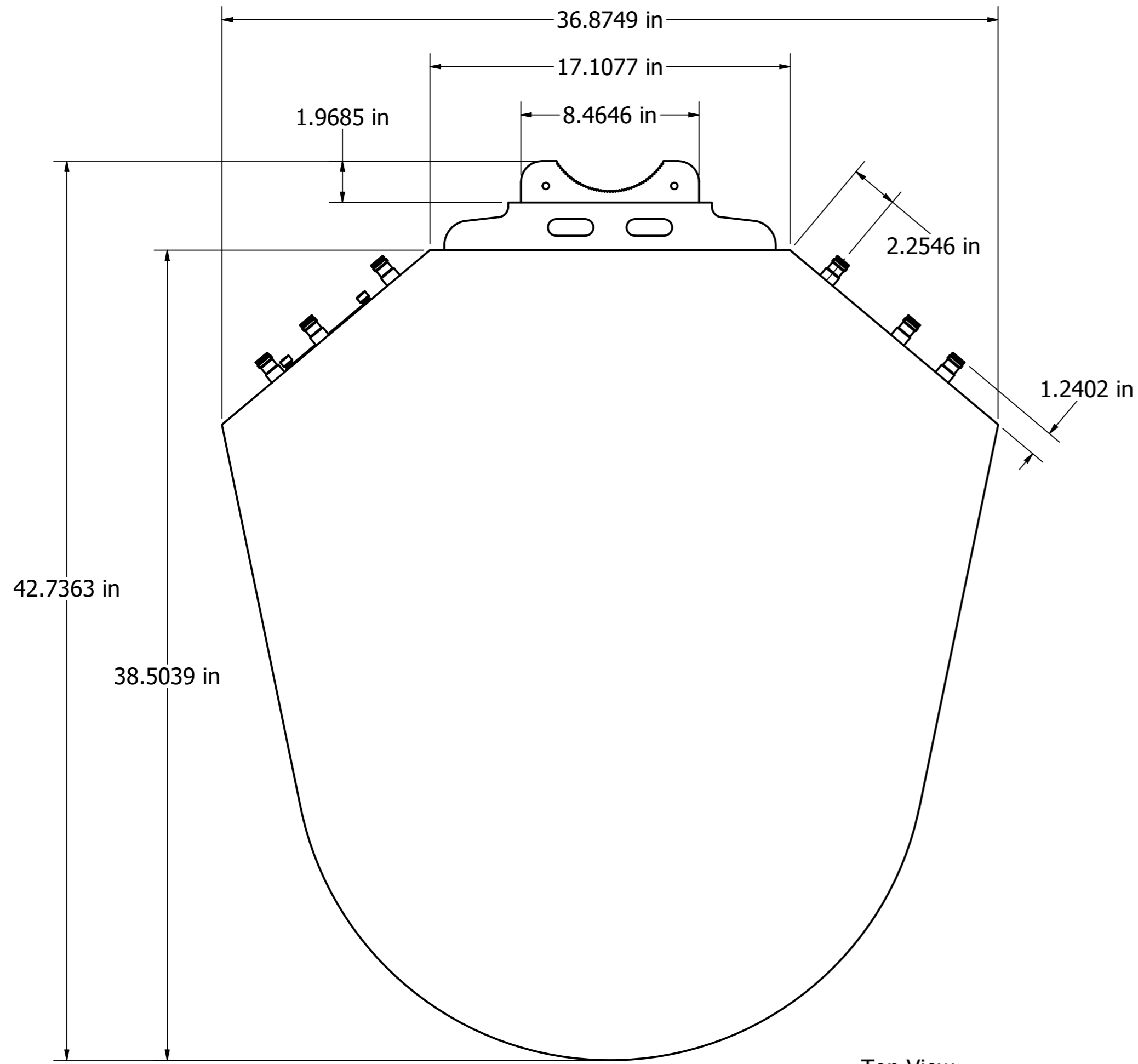



Designed by VIGNESH	Drawing by LAWRENCE	Date 27/12/2024	Approved by PAVEL	Date 27/12/2024	Quantity	Material
MATSING LENS TECHNOLOGY ENABLED						MS-MBA-6.3-H4-T4
MS-MBA-6.3-H4-T4 (in)					Revision 1.0	Sheet 1 / 3



Designed by VIGNESH	Drawing by LAWRENCE	Date 27/12/2024	Approved by PAVEL	Date 27/12/2024	Quantity	Material
MATSING LENS TECHNOLOGY ENABLED						MS-MBA-6.3-H4-T4
MS-MBA-6.3-H4-T4 (in)					Revision 1.0	Sheet 2 / 3



Designed by VIGNESH	Drawing by LAWRENCE	Date 27/12/2024	Approved by PAVEL	Date 27/12/2024	Quantity	Material
						MS-MBA-6.3-H4-T4
						MS-MBA-6.3-H4-T4 (in)