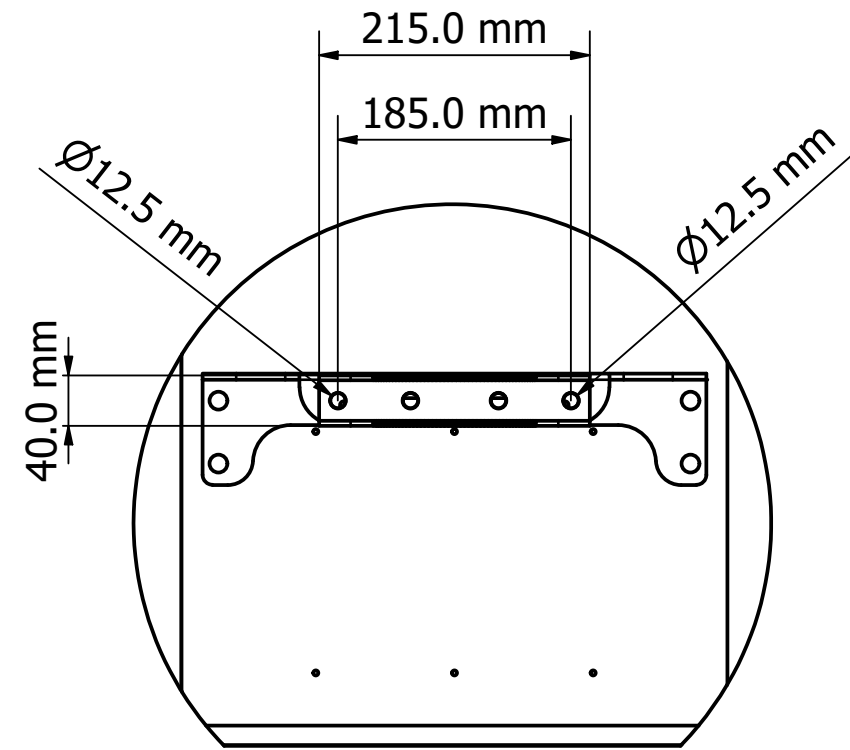
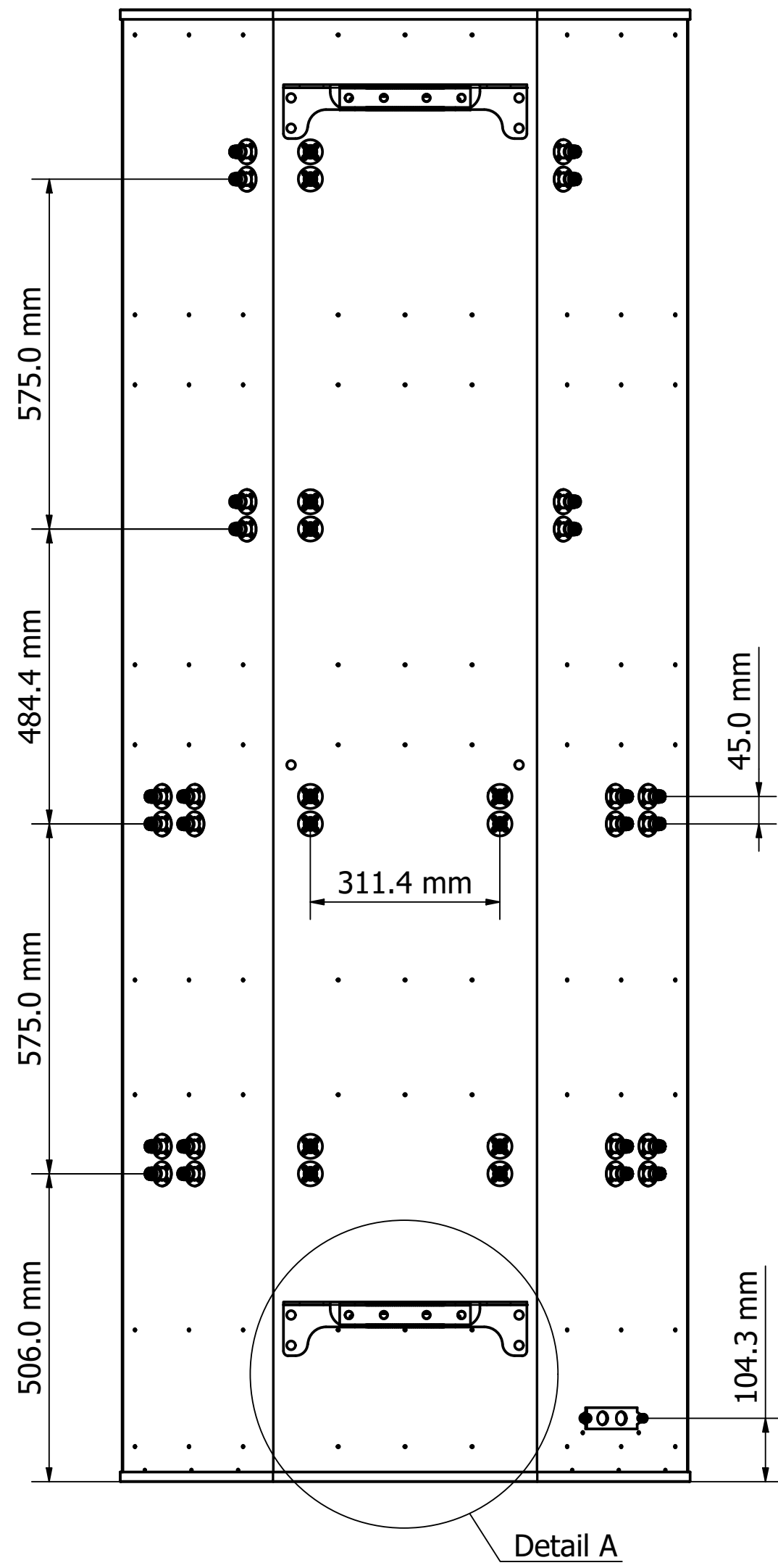
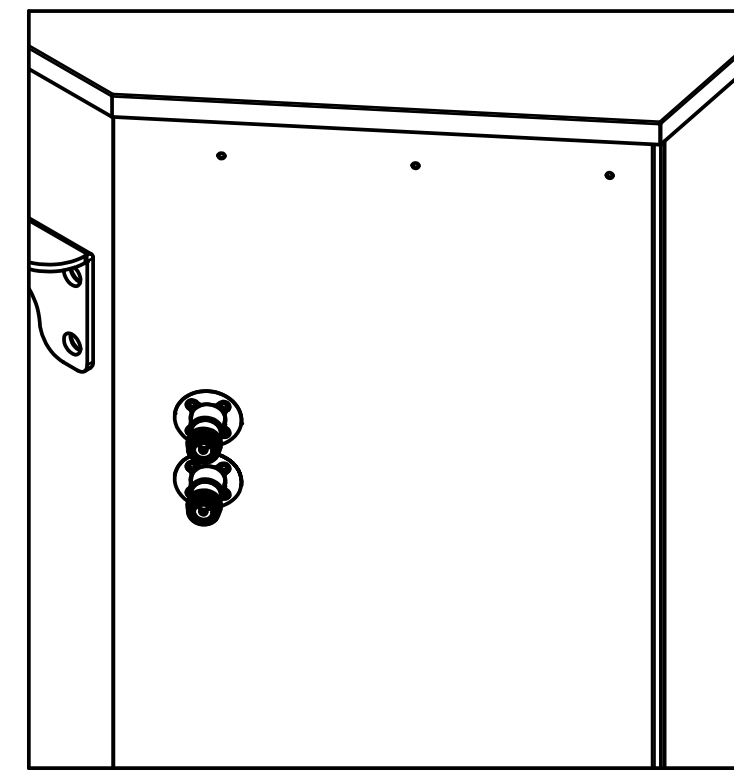


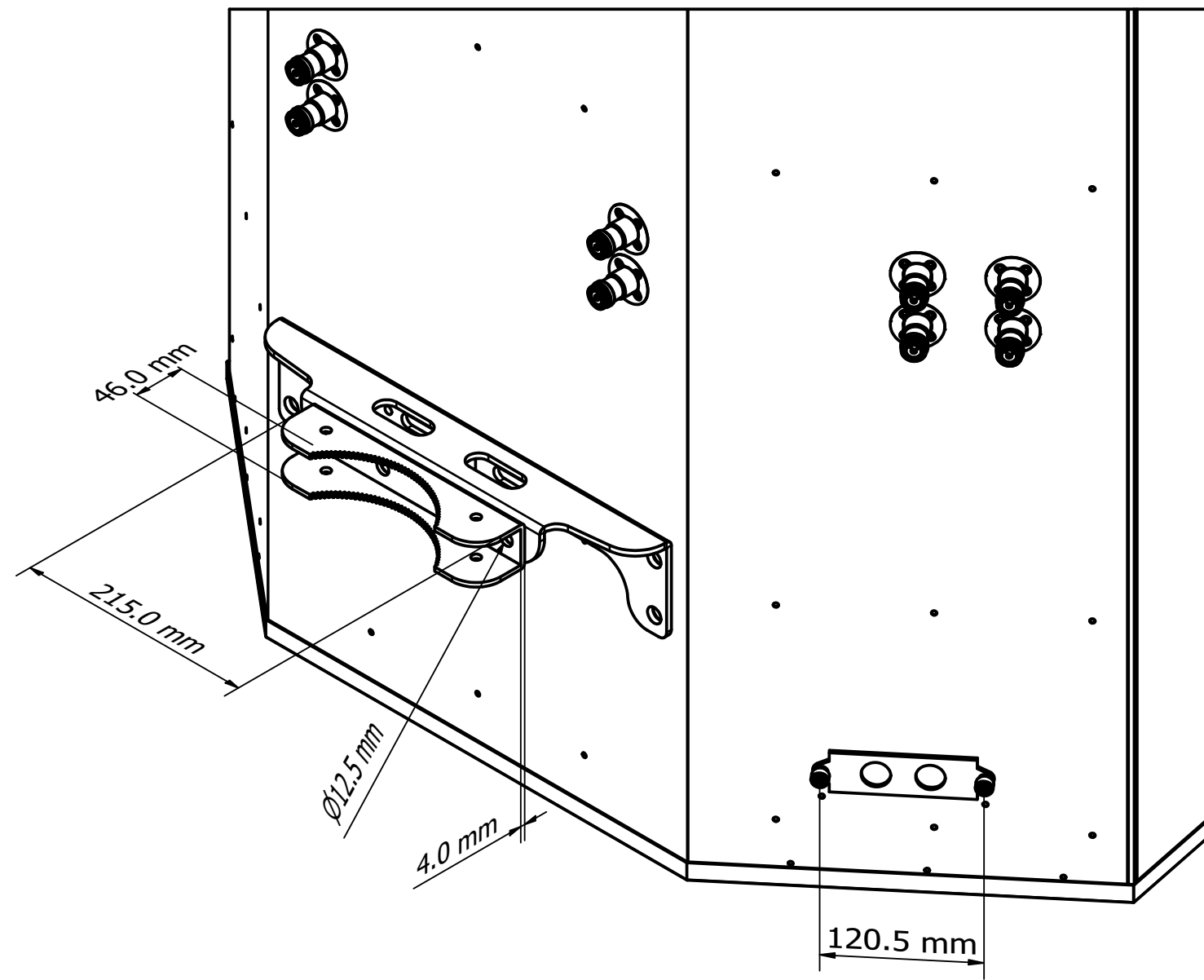
Designed by VIGNESH	Drawing by LAWRENCE	Date 27/12/2024	Approved by PAVEL	Date 27/12/2024	Quantity	Material
<b>MATSING</b> LENS TECHNOLOGY ENABLED						MS-MBA-6.3-H4-T4
					MS-MBA-6.3-H4-T4 (mm)	Revision 1.0
					Sheet 1 / 3	



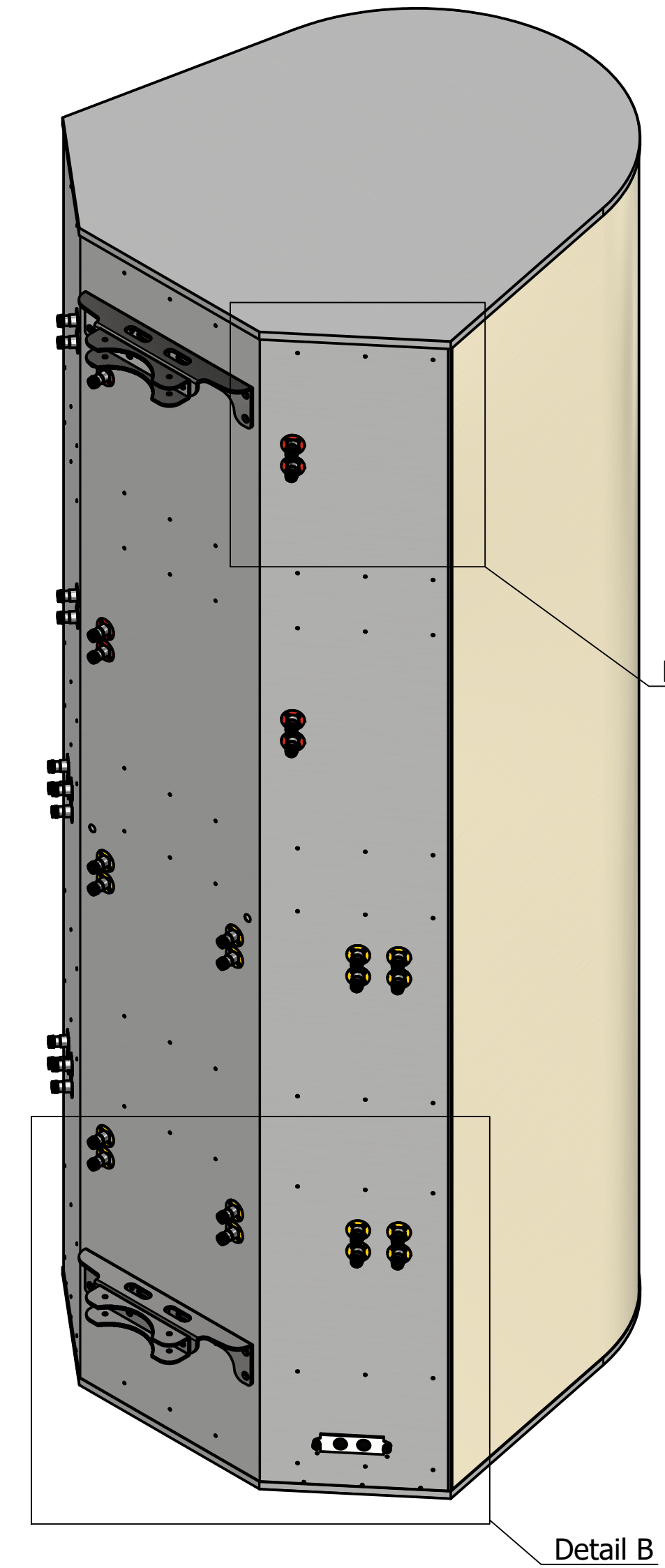
Detail A



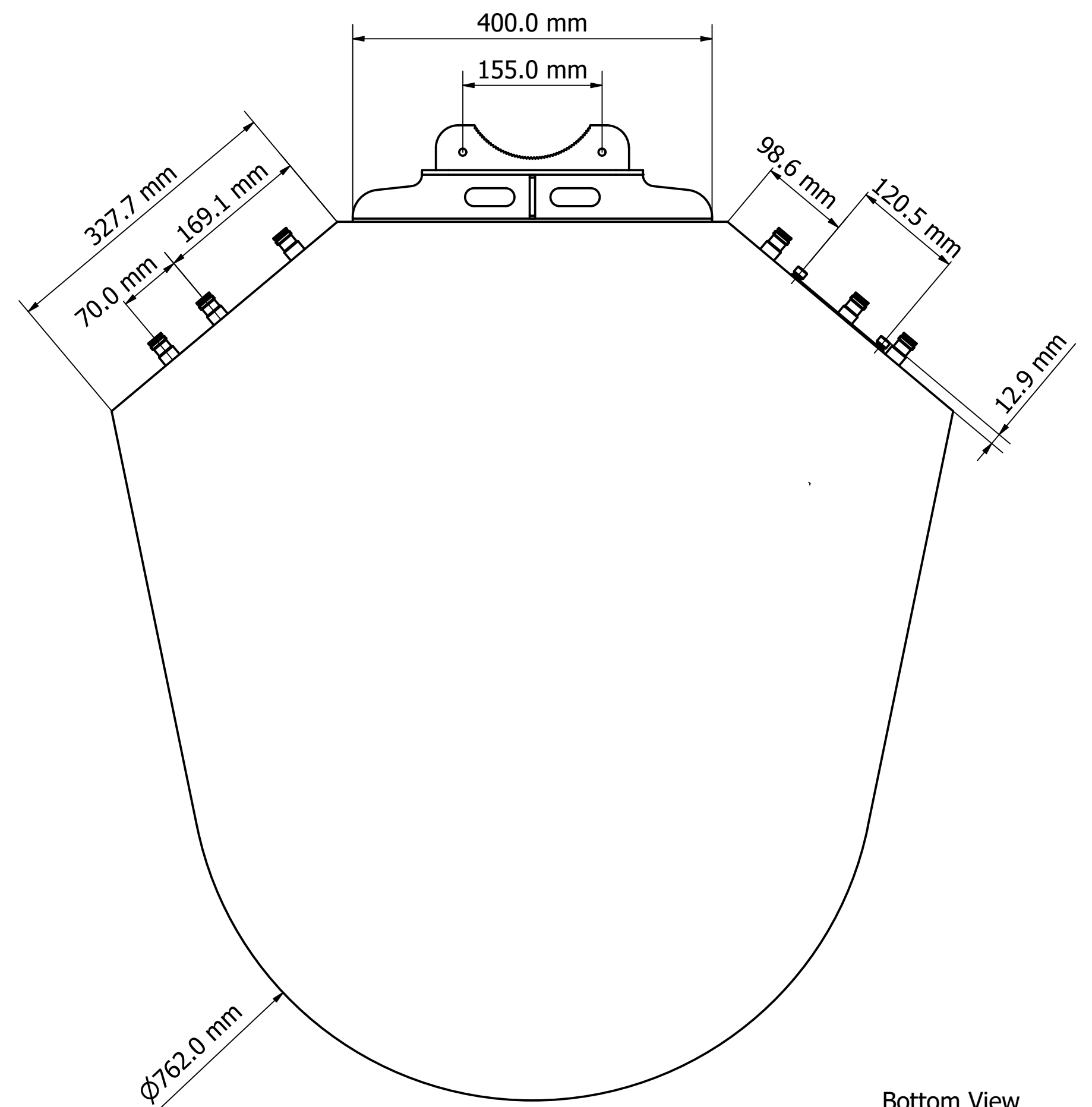
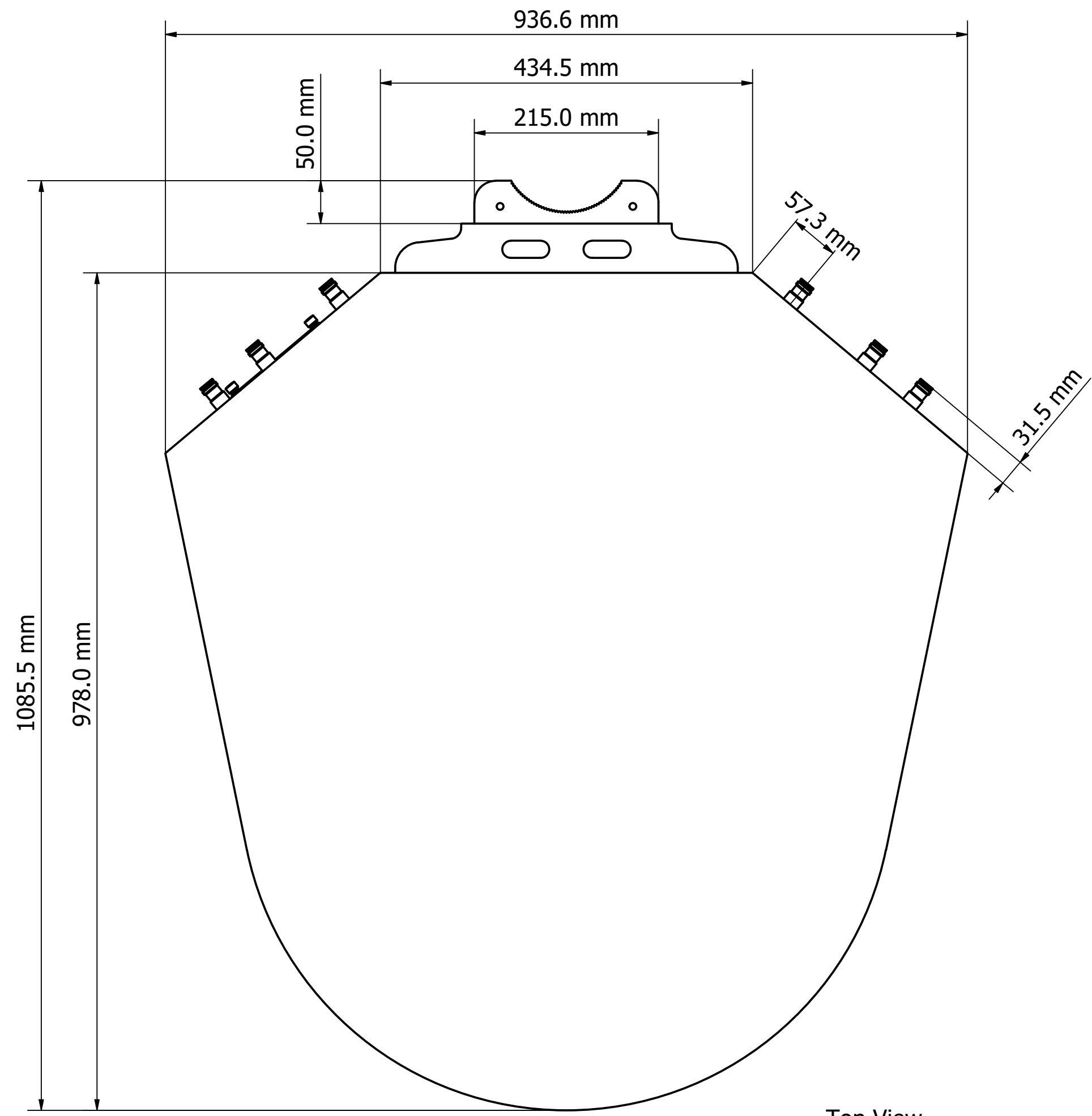
Detail C



Detail B



Designed by VIGNESH	Drawing by LAWRENCE	Date 27/12/2024	Approved by PAVEL	Date 27/12/2024	Quantity	Material
<b>MATSING</b> LENS TECHNOLOGY ENABLED						MS-MBA-6.3-H4-T4
MS-MBA-6.3-H4-T4 (mm)					Revision 1.0	Sheet 2 / 3



Designed by VIGNESH	Drawing by LAWRENCE	Date 27/12/2024	Approved by PAVEL	Date 27/12/2024	Quantity	Material
<b>MATSING</b> LENS TECHNOLOGY ENABLED						MS-MBA-6.3-H4-T4
MS-MBA-6.3-H4-T4 (mm)					Revision 1.0	Sheet 3 / 3