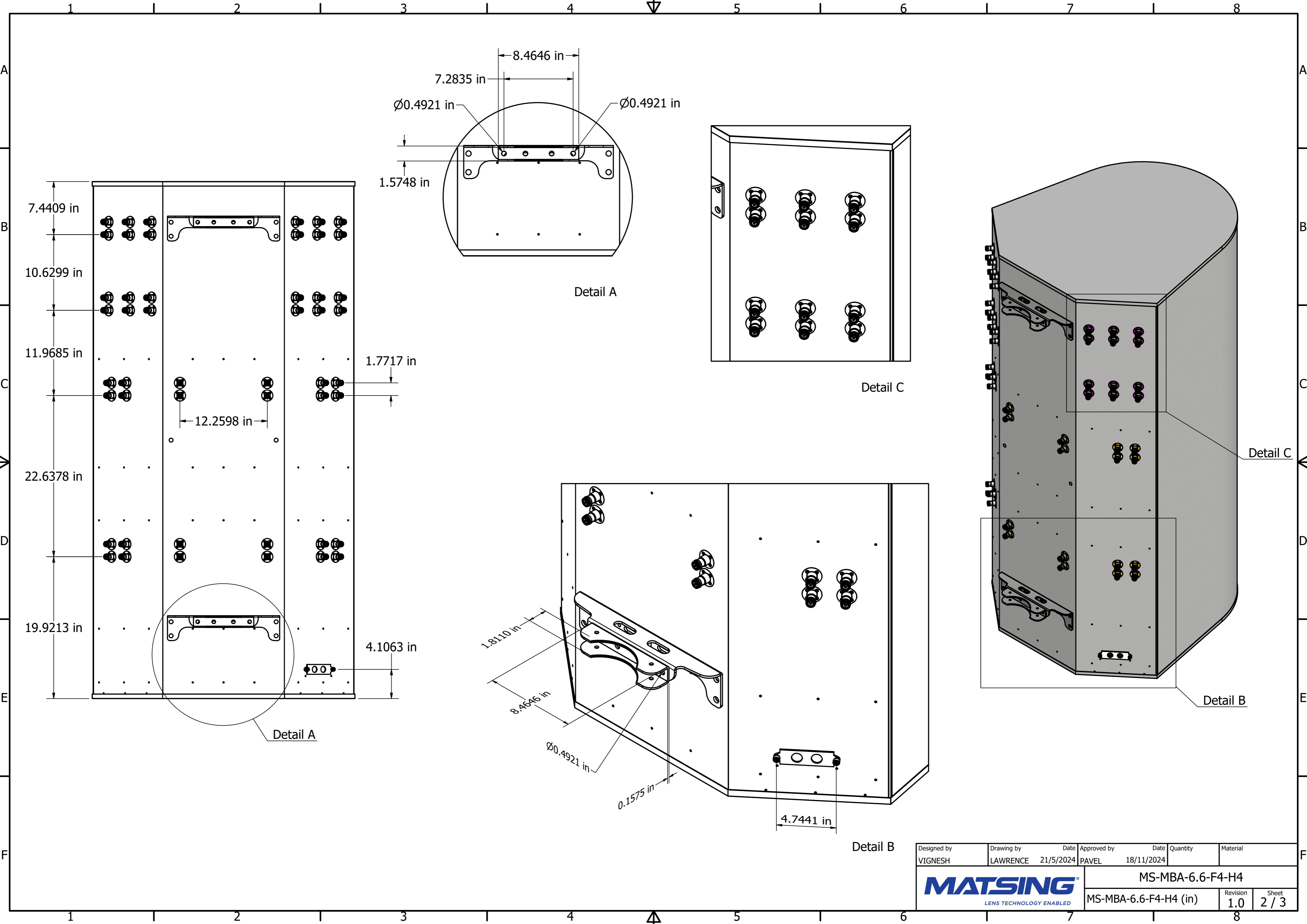
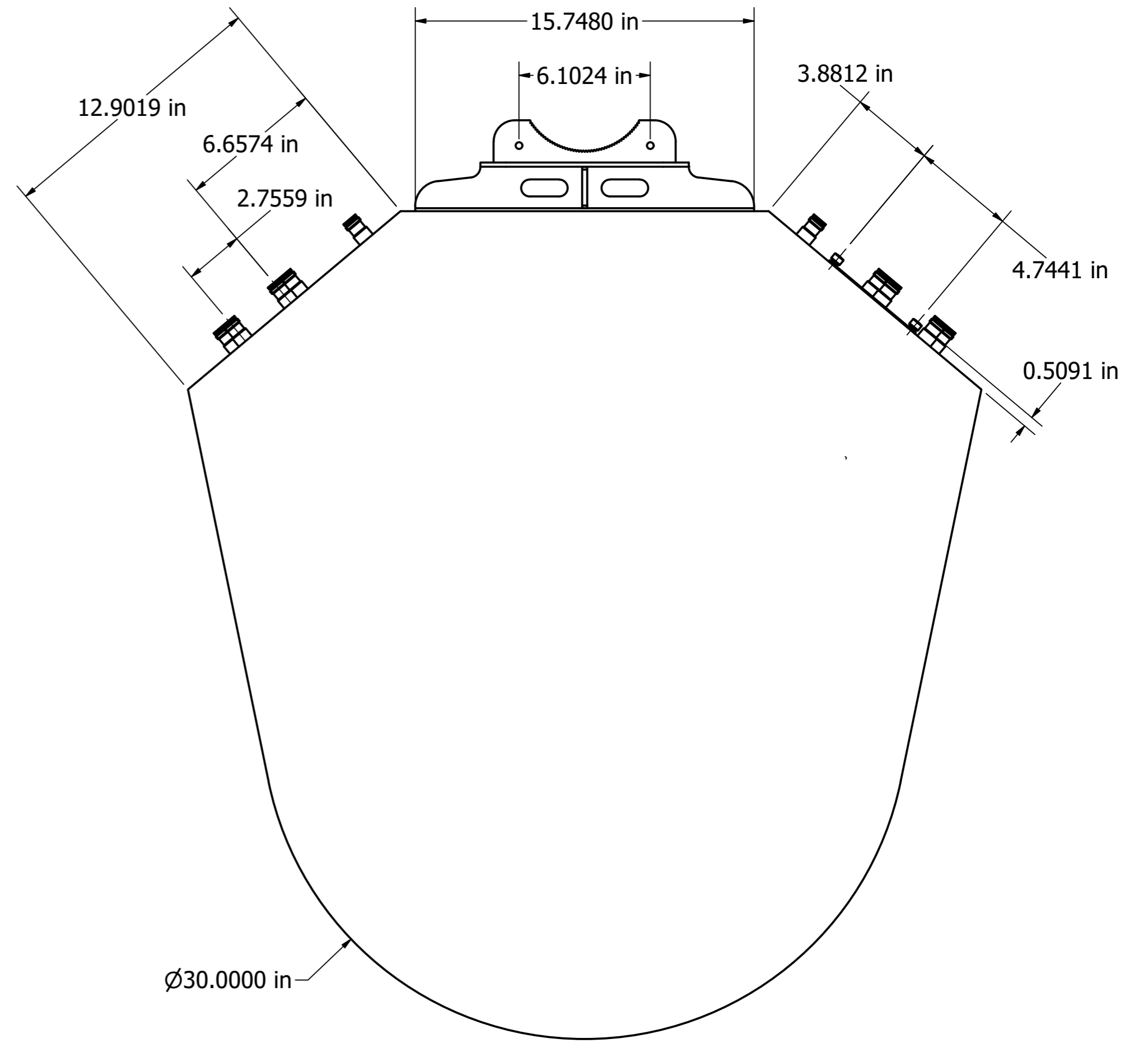
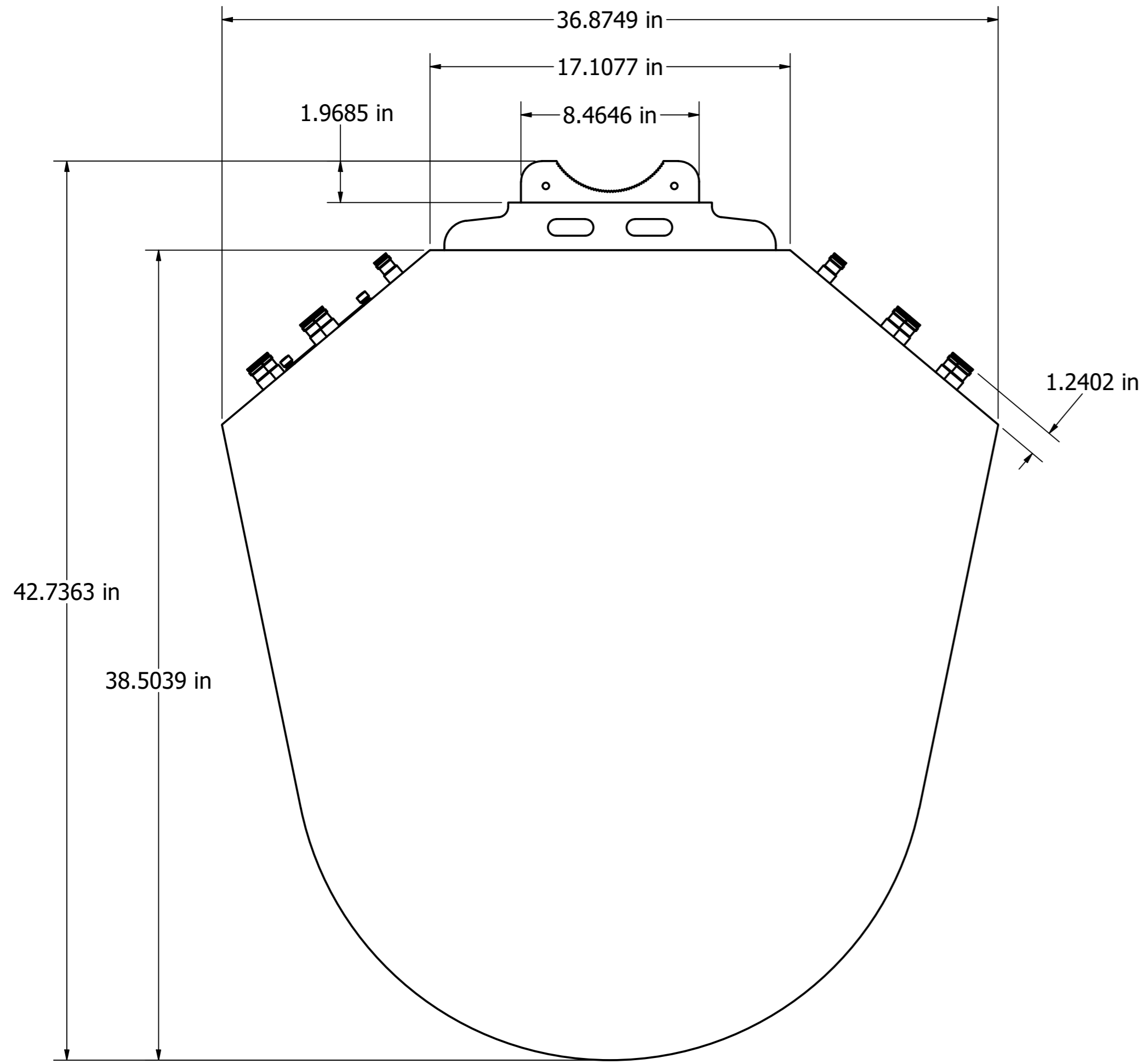


Designed by VIGNESH	Drawing by LAWRENCE	Date 21/5/2024	Approved by PAVEL	Date 18/11/2024	Quantity	Material
MATSING LENS TECHNOLOGY ENABLED						MS-MBA-6.6-F4-H4
MS-MBA-6.6-F4-H4 (in)					Revision 1.0	Sheet 1 / 3



Designed by VIGNESH	Drawing by LAWRENCE	Date 21/5/2024	Approved by PAVEL	Date 18/11/2024	Quantity	Material
MATSING LENS TECHNOLOGY ENABLED						MS-MBA-6.6-F4-H4
MS-MBA-6.6-F4-H4 (in)					Revision 1.0	Sheet 2 / 3



Designed by VIGNESH	Drawing by LAWRENCE	Date 21/5/2024	Approved by PAVEL	Date 18/11/2024	Quantity	Material
MATSING LENS TECHNOLOGY ENABLED						MS-MBA-6.6-F4-H4
MS-MBA-6.6-F4-H4 (in)					Revision 1.0	Sheet 3 / 3