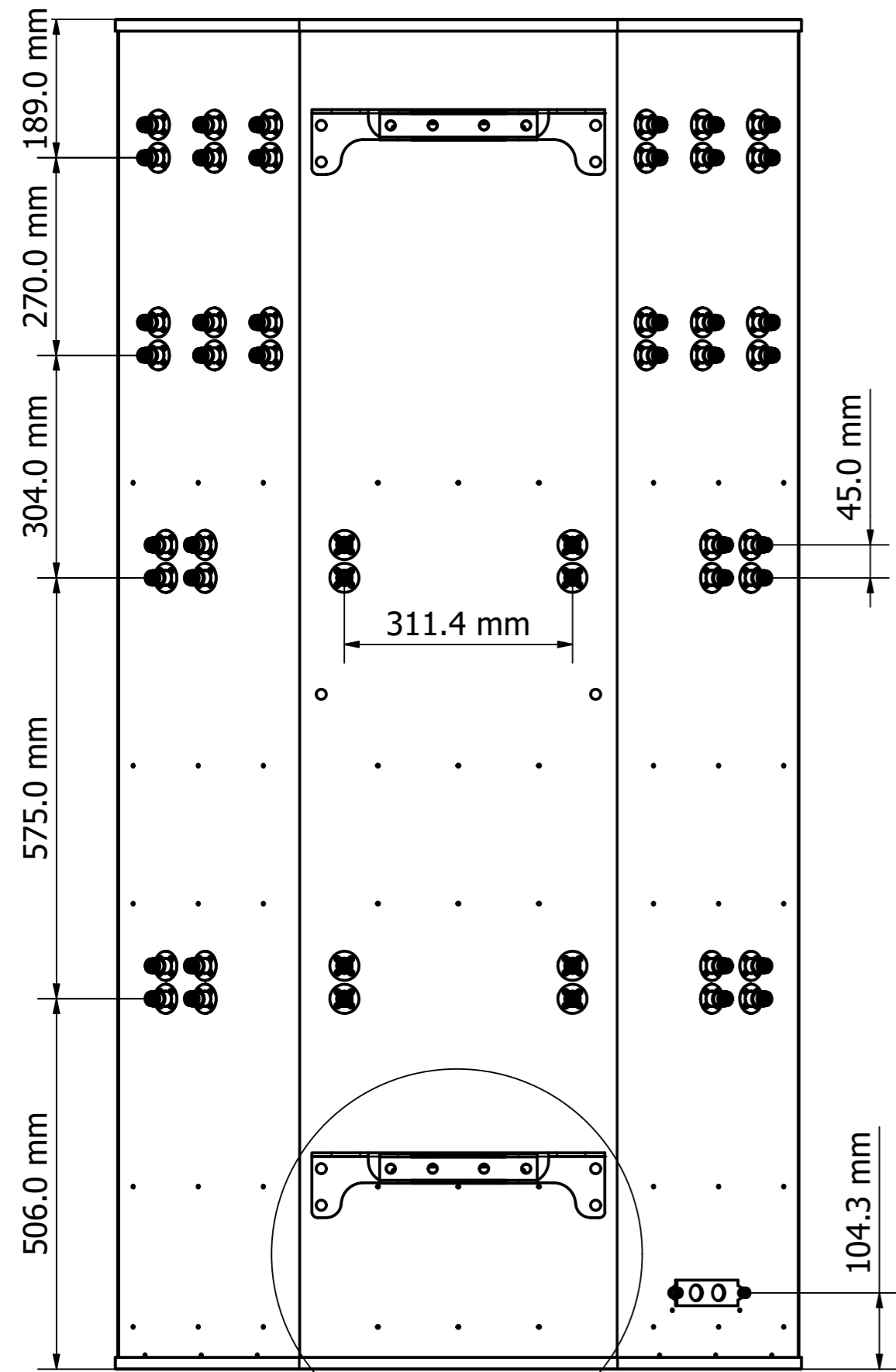
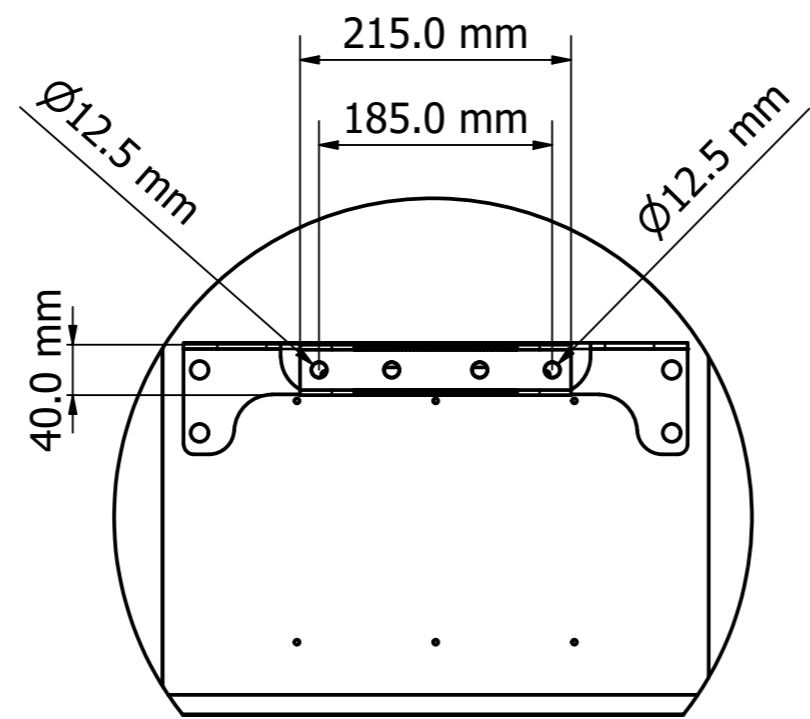


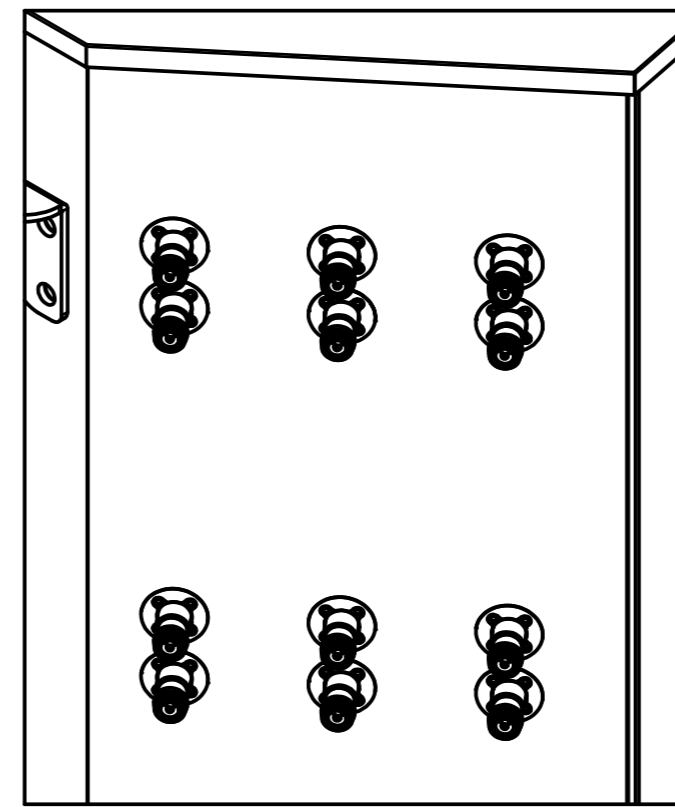
Designed by VIGNESH	Drawing by LAWRENCE	Date 21/5/2024	Approved by PAVEL	Date 18/11/2024	Quantity	Material
<b>MATSING</b> LENS TECHNOLOGY ENABLED						MS-MBA-6.6-F4-H4
MS-MBA-6.6-F4-H4 (mm)					Revision 1.0	Sheet 1 / 3



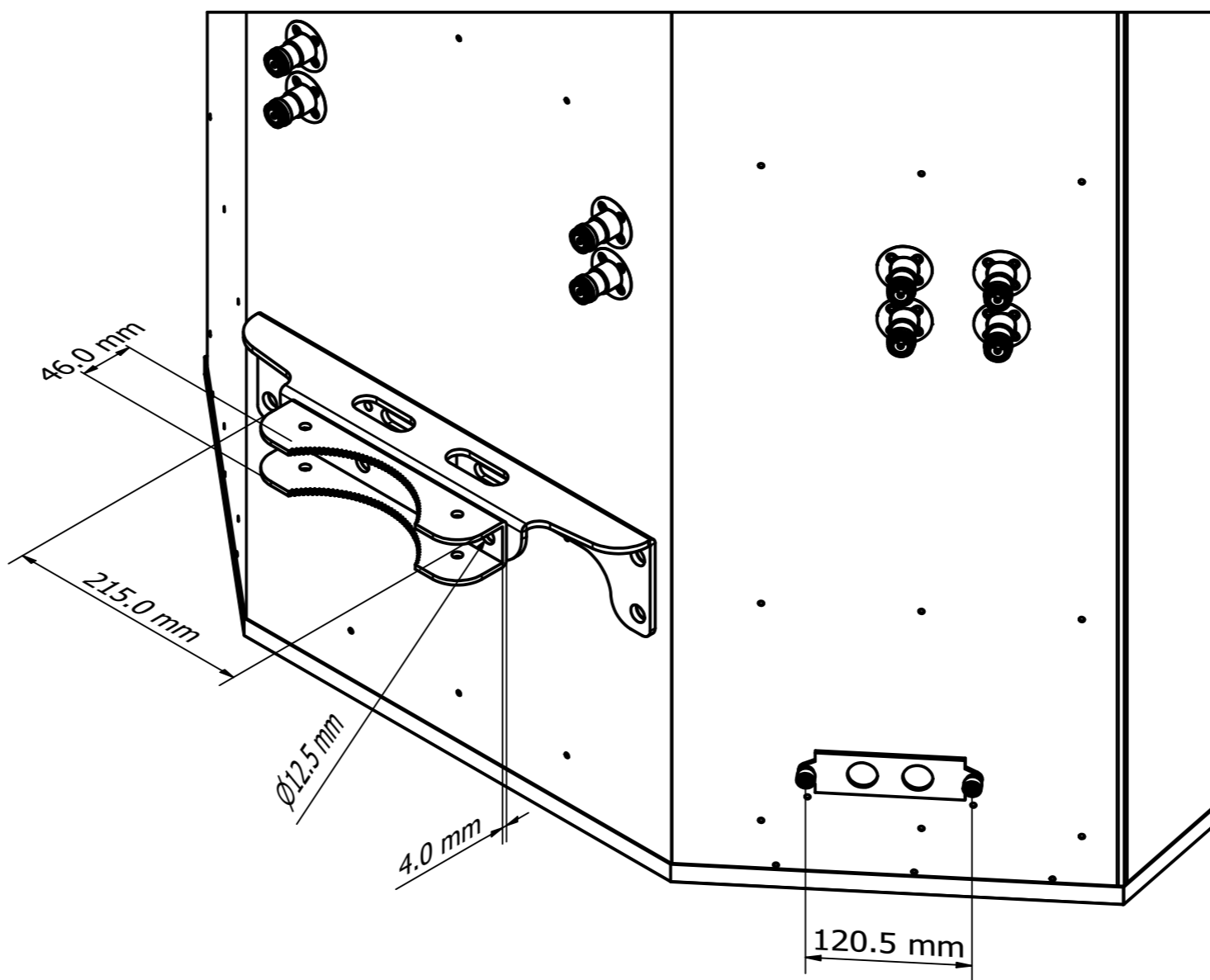
Detail A



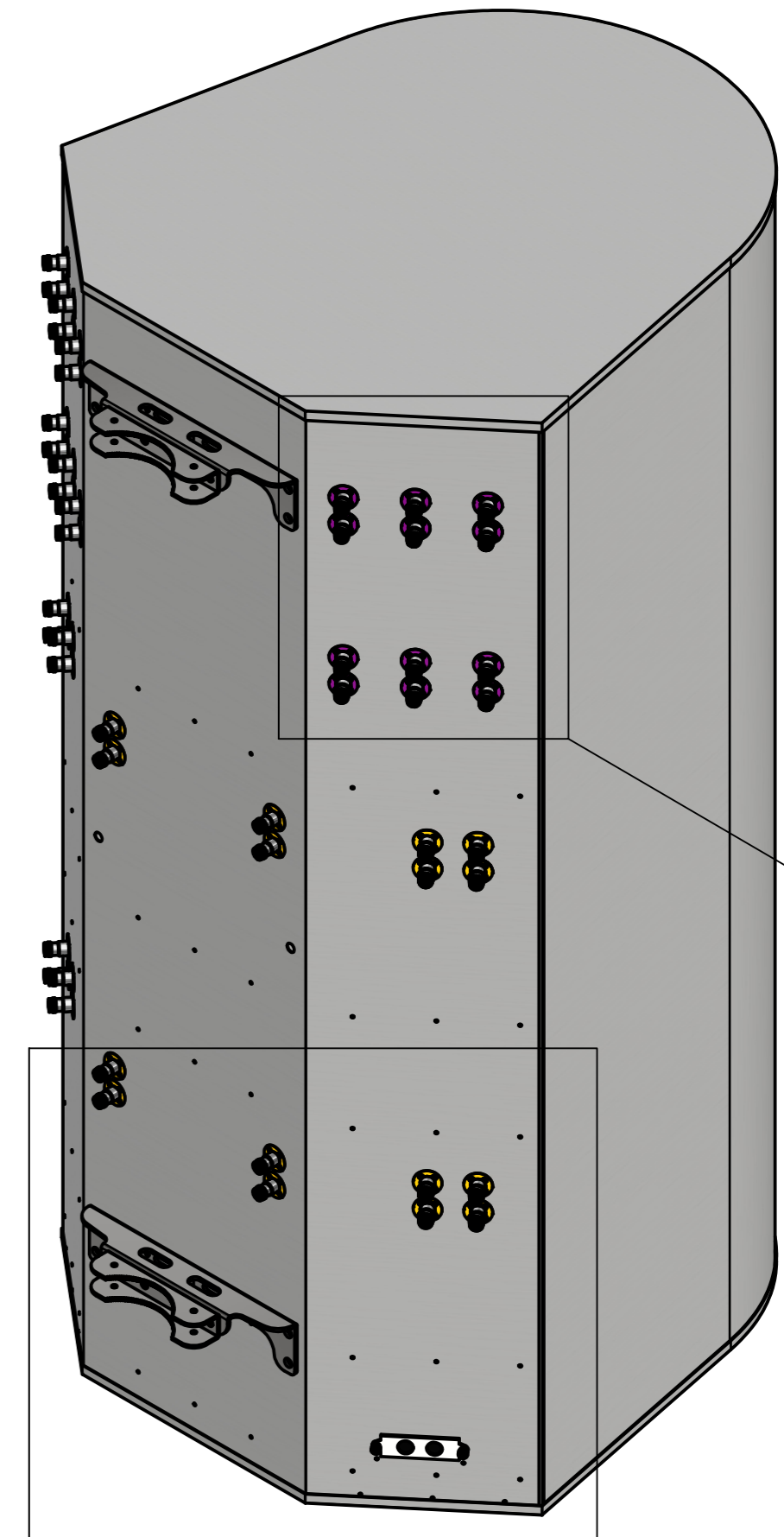
Detail A



Detail C



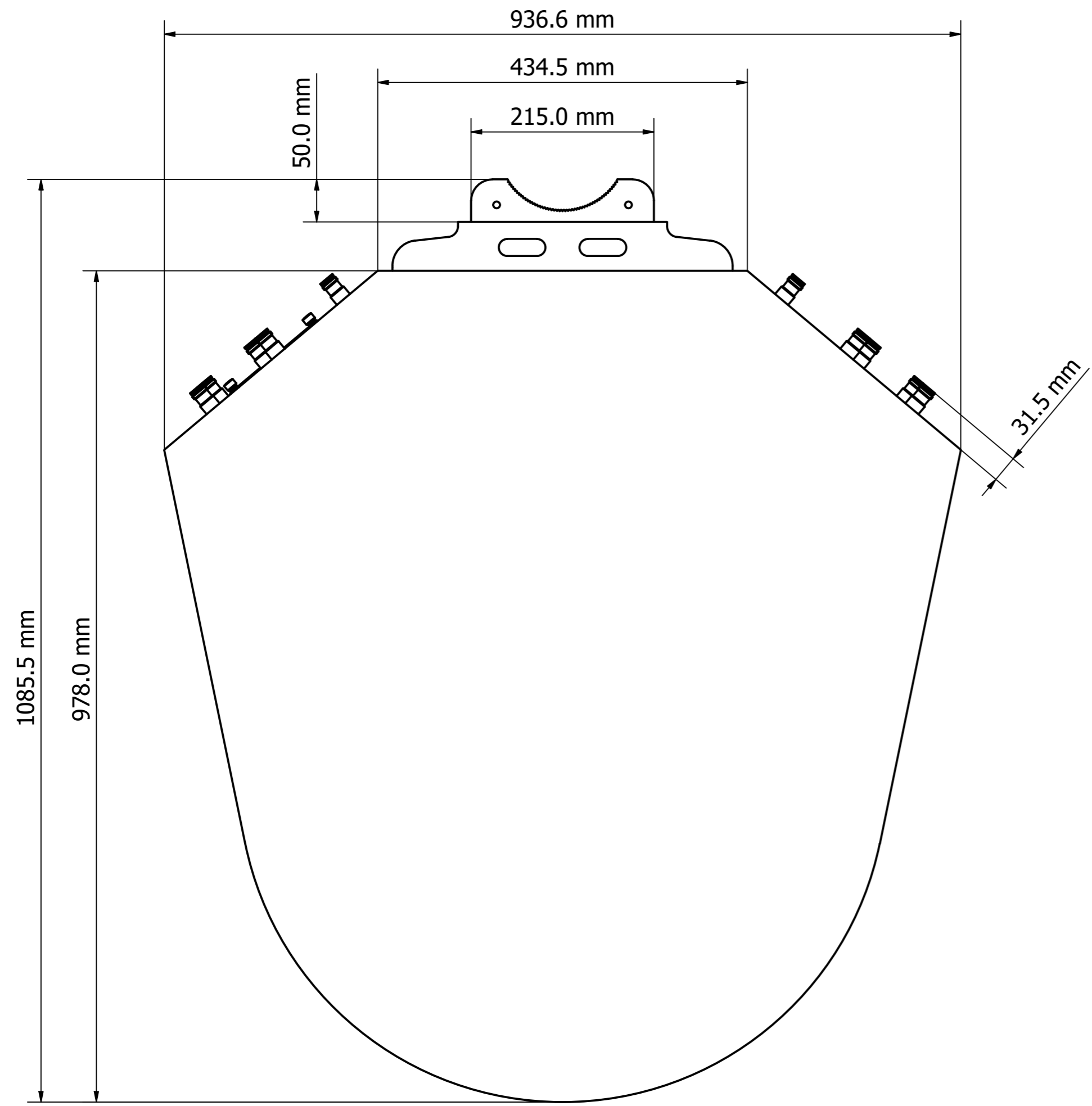
Detail B



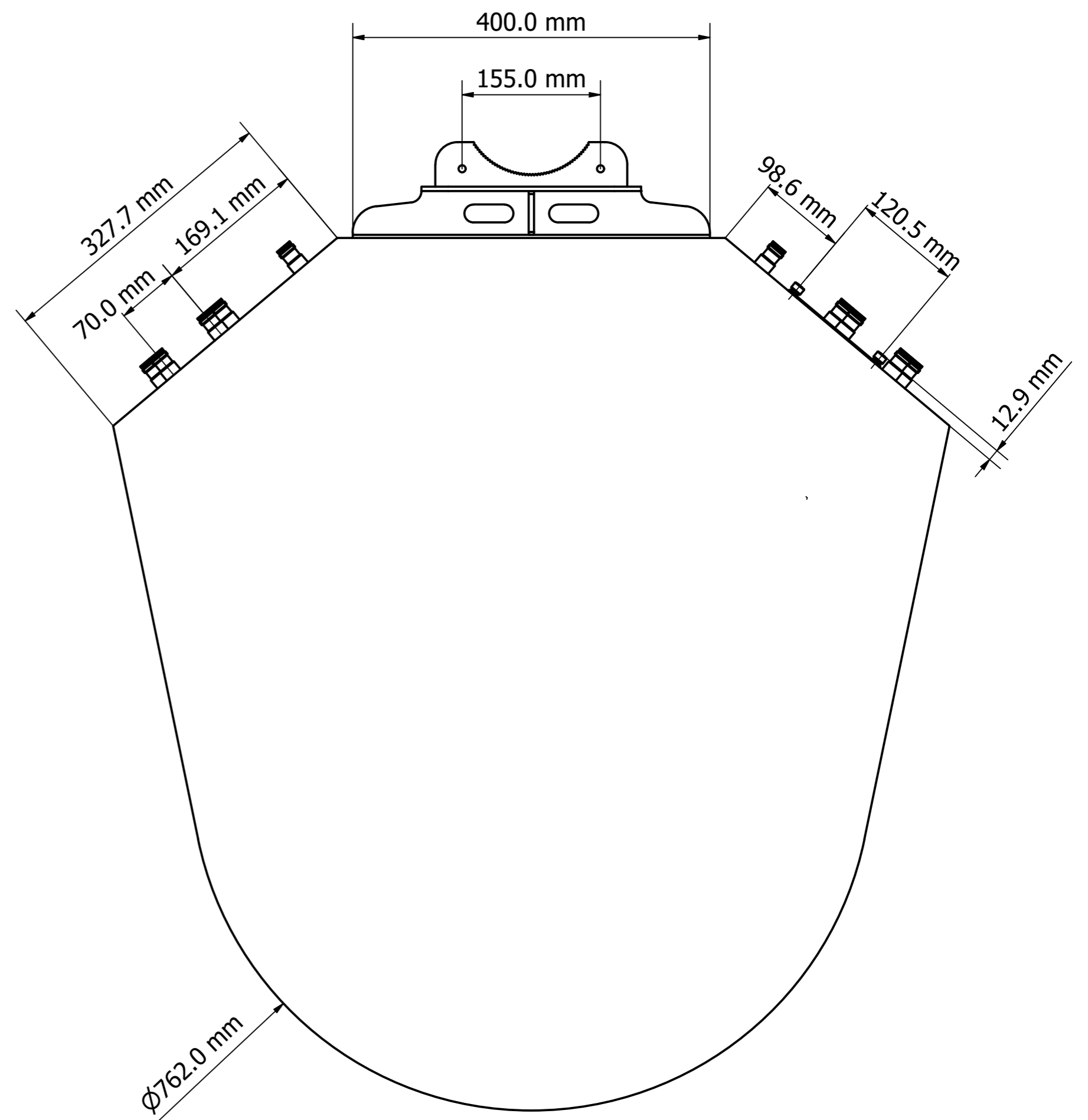
Detail B

Detail C

Designed by VIGNESH	Drawing by LAWRENCE	Date 21/5/2024	Approved by PAVEL	Date 18/11/2024	Quantity	Material	
<b>MATSING</b> LENS TECHNOLOGY ENABLED						MS-MBA-6.6-F4-H4	
MS-MBA-6.6-F4-H4 (mm)						Revision 1.0	Sheet 2 / 3



Top View



Bottom View

Designed by VIGNESH	Drawing by LAWRENCE	Date 21/5/2024	Approved by PAVEL	Date 18/11/2024	Quantity	Material
<b>MATSING</b> LENS TECHNOLOGY ENABLED						MS-MBA-6.6-F4-H4
MS-MBA-6.6-F4-H4 (mm)					Revision 1.0	Sheet 3 / 3