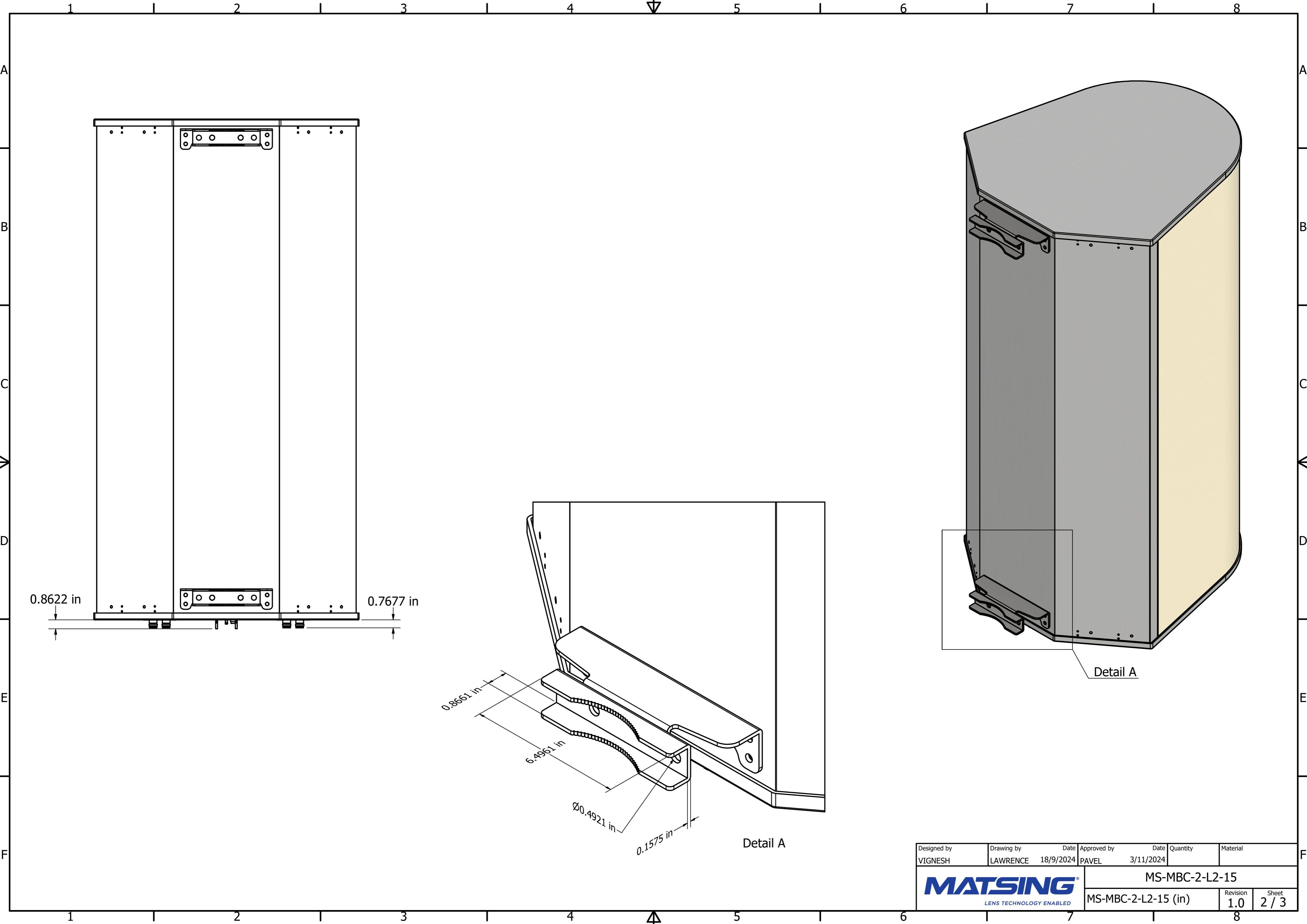


Designed by	Drawing by	Date	Approved by	Date	Quantity	Material
VIGNESH	LAWRENCE	18/9/2024	PAVEL	3/11/2024		
<b>MATSING</b>						MS-MBC-2-L2-15
LENS TECHNOLOGY ENABLED						MS-MBC-2-L2-15 (in)
					Revision	Sheet
					1.0	1 / 3



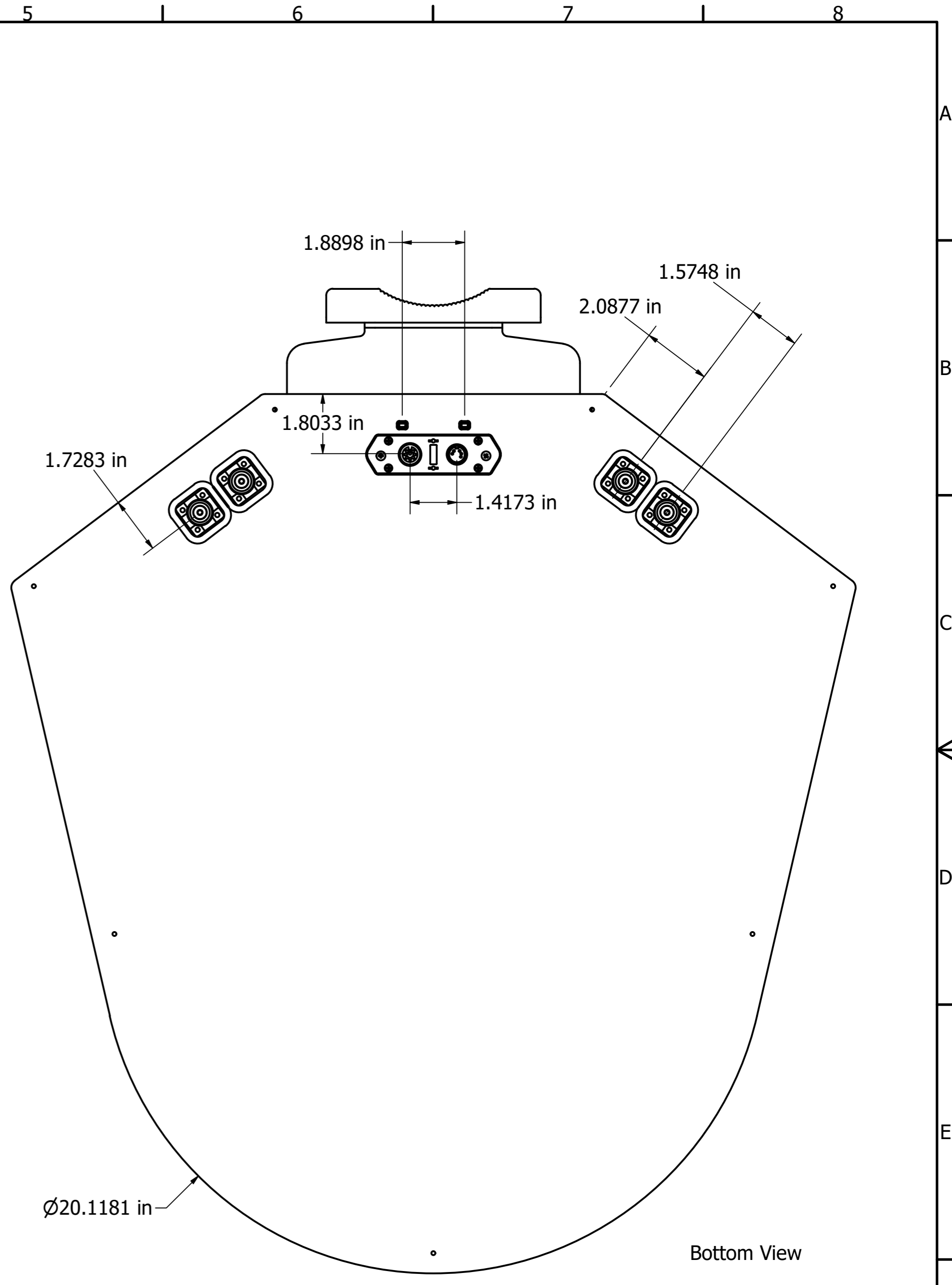
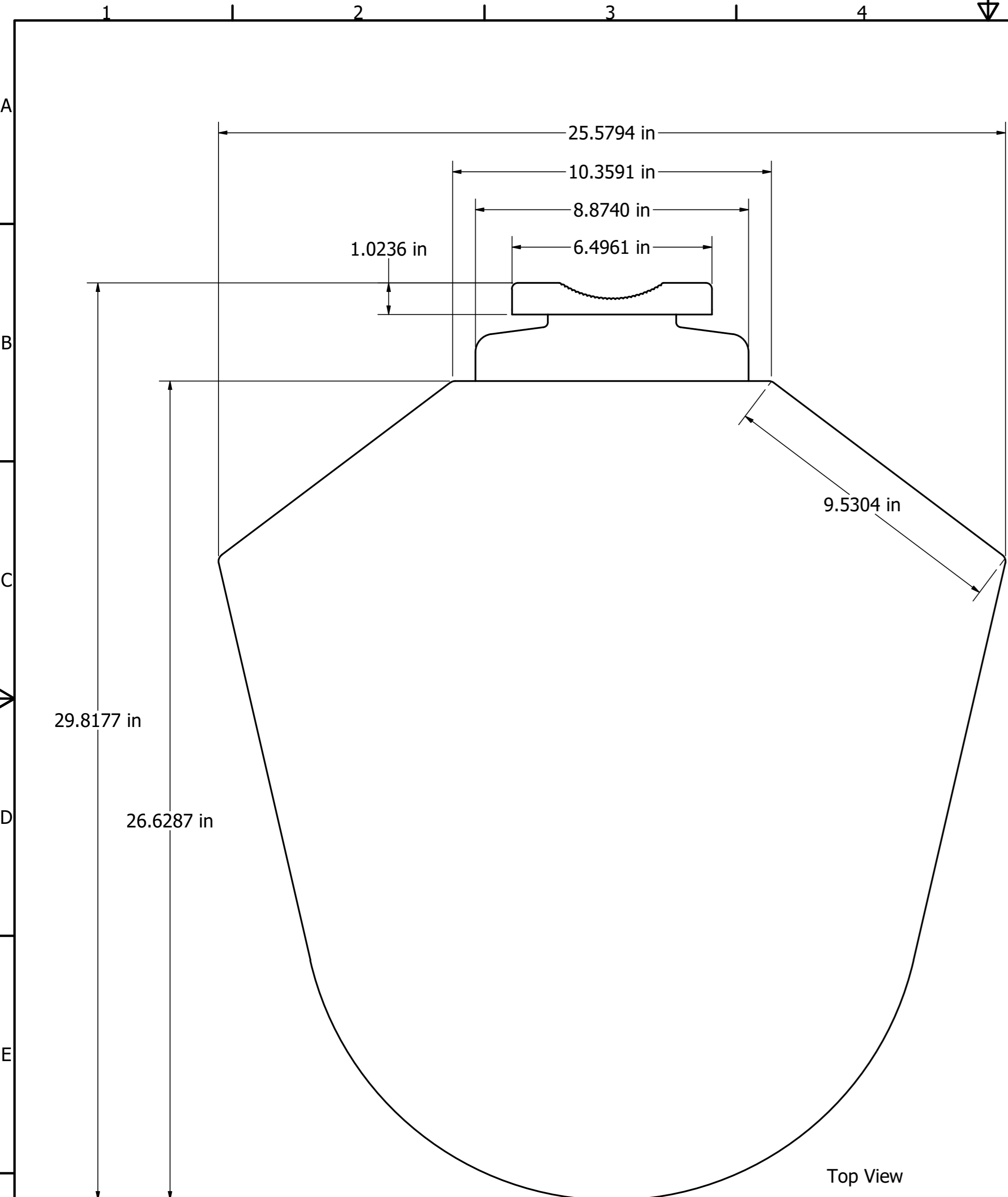
0.8622 in      0.7677 in

0.8661 in  
 6.4961 in  
 Ø0.4921 in  
 0.1575 in

Detail A

Detail A

Designed by VIGNESH	Drawing by LAWRENCE	Date 18/9/2024	Approved by PAVEL	Date 3/11/2024	Quantity	Material
<b>MATSING</b> LENS TECHNOLOGY ENABLED						MS-MBC-2-L2-15
					MS-MBC-2-L2-15 (in)	Revision 1.0
					Sheet 2 / 3	



Designed by VIGNESH	Drawing by LAWRENCE	Date 18/9/2024	Approved by PAVEL	Date 3/11/2024	Quantity	Material
<b>MATSING</b> LENS TECHNOLOGY ENABLED						MS-MBC-2-L2-15
MS-MBC-2-L2-15 (in)					Revision 1.0	Sheet 3 / 3