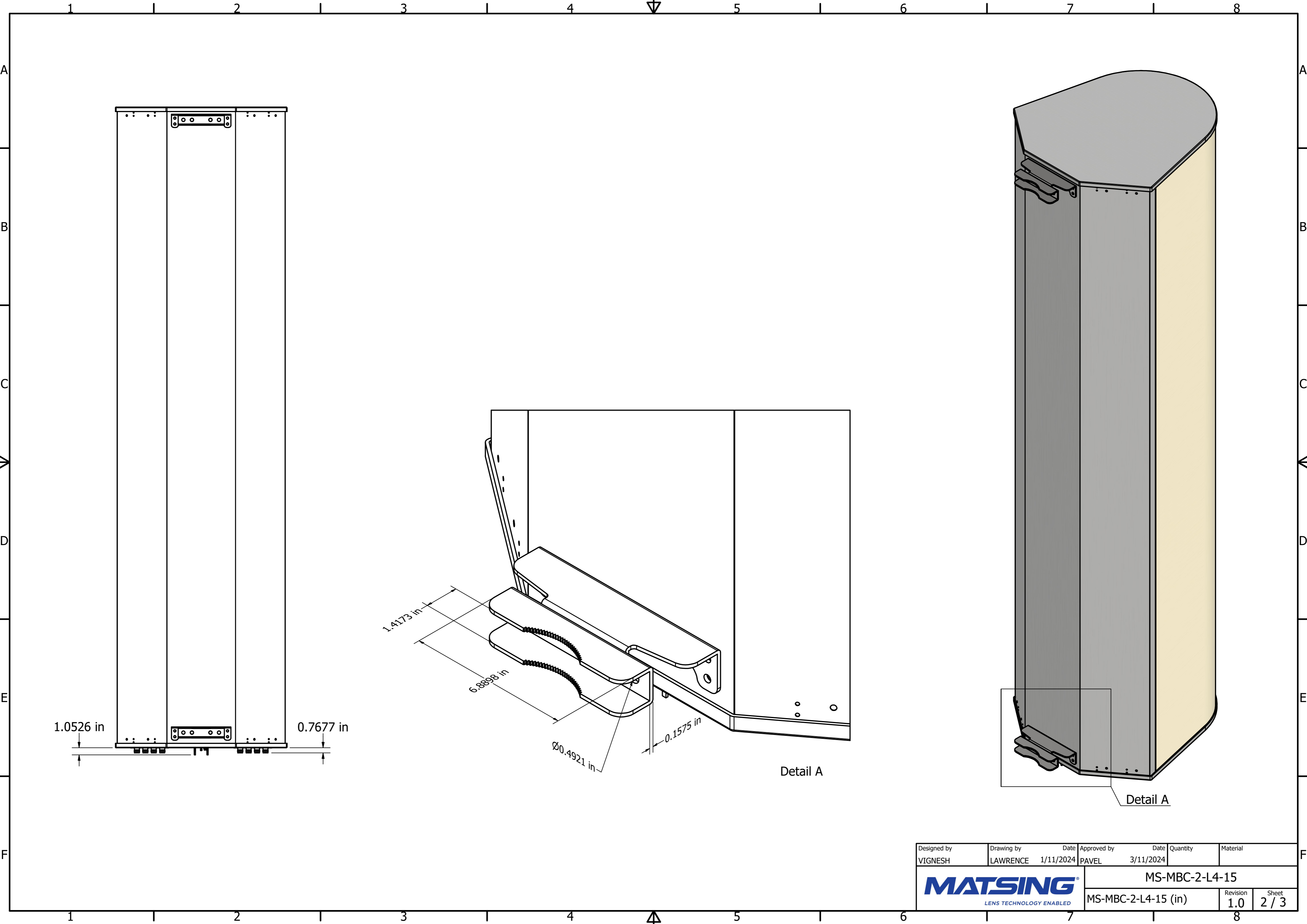


Designed by VIGNESH	Drawing by LAWRENCE	Date 1/11/2024	Approved by PAVEL	Date 3/11/2024	Quantity	Material
<b>MATSING</b> LENS TECHNOLOGY ENABLED						MS-MBC-2-L4-15
					MS-MBC-2-L4-15 (in)	Revision 1.0
					Sheet 1 / 3	



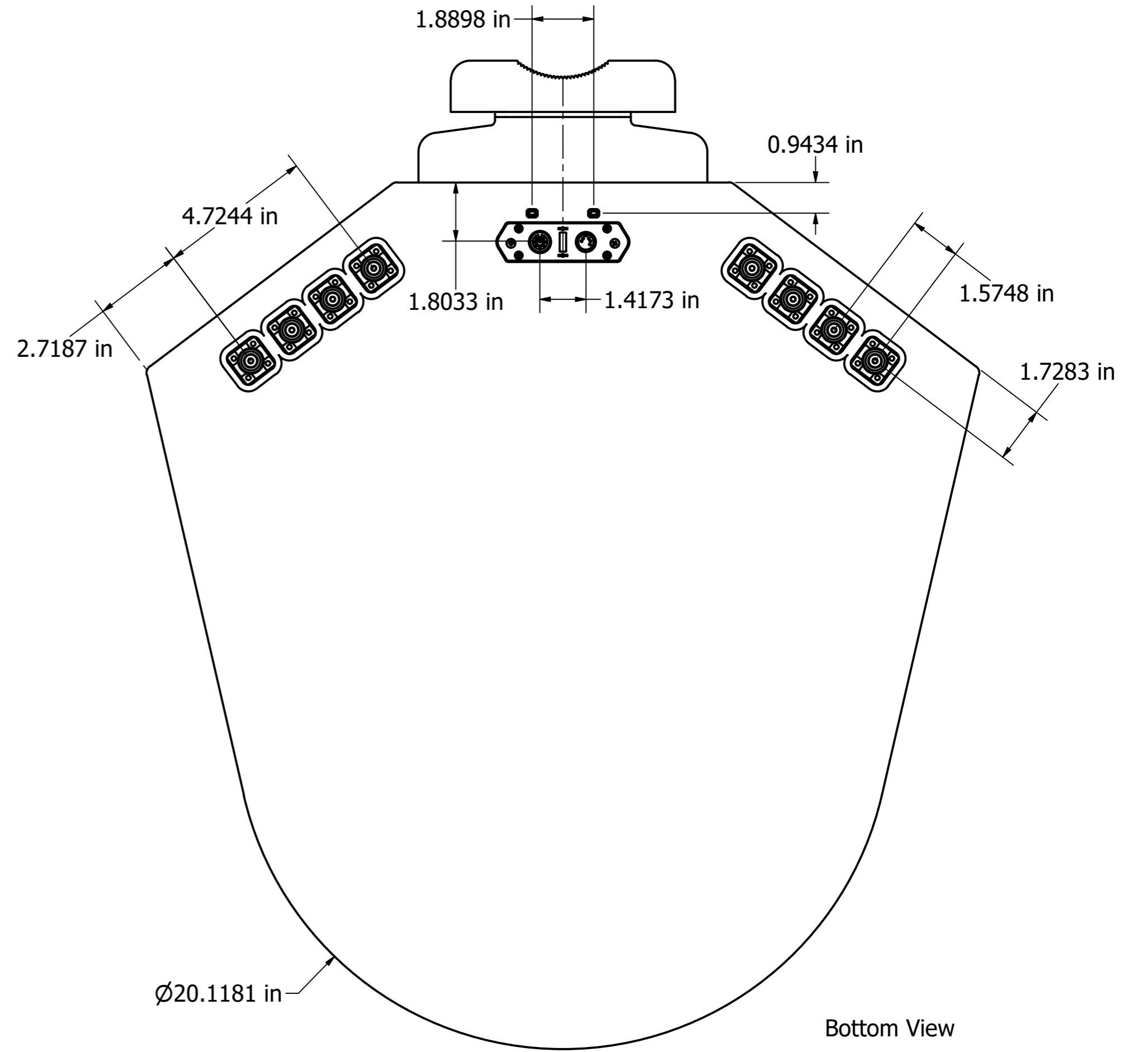
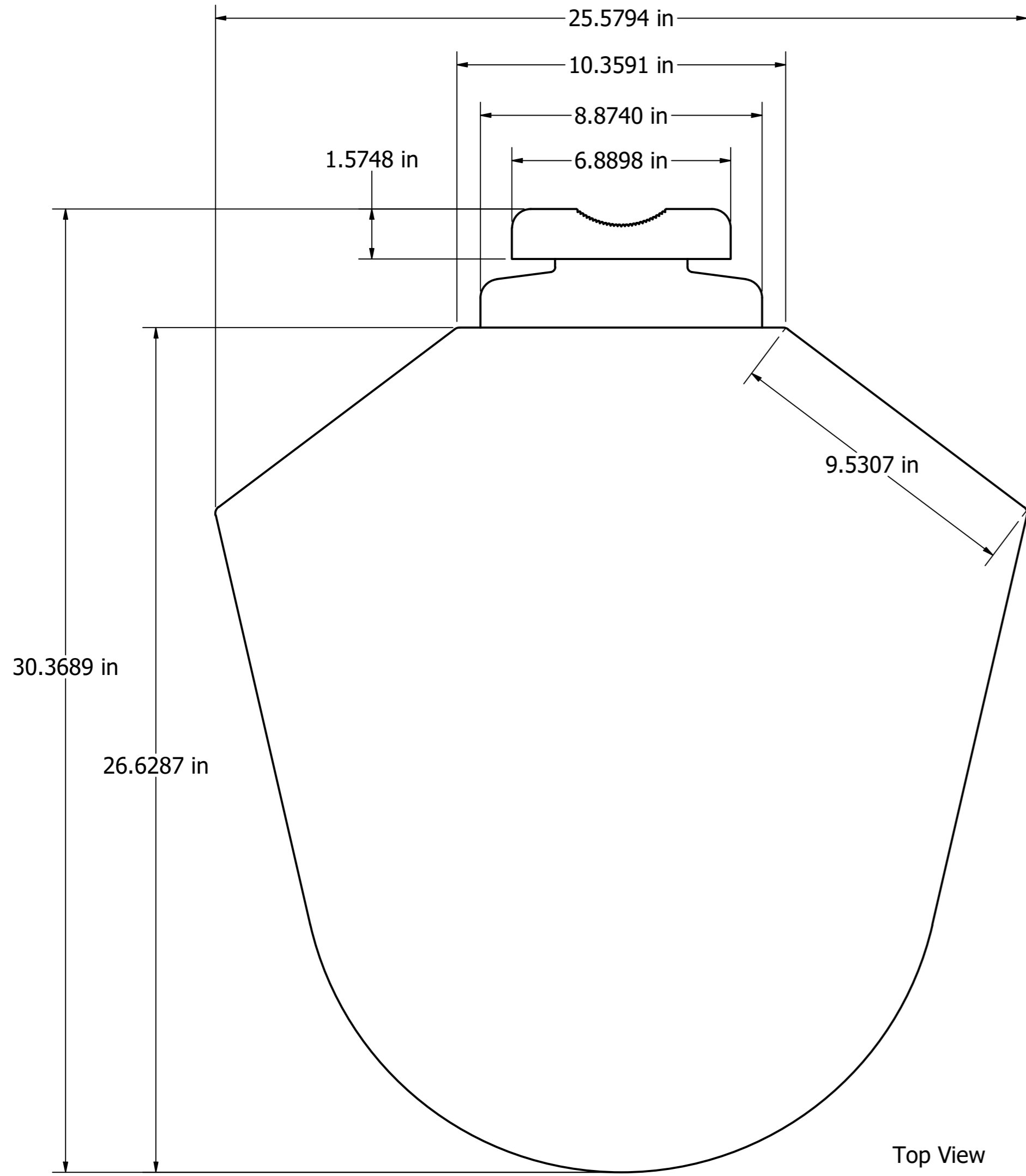
1.0526 in  
0.7677 in

1.4173 in  
6.8898 in  
Ø0.4921 in  
0.1575 in

Detail A

Detail A

Designed by VIGNESH	Drawing by LAWRENCE	Date 1/11/2024	Approved by PAVEL	Date 3/11/2024	Quantity	Material
<b>MATSING</b> LENS TECHNOLOGY ENABLED						MS-MBC-2-L4-15
MS-MBC-2-L4-15 (in)					Revision 1.0	Sheet 2 / 3



Designed by VIGNESH	Drawing by LAWRENCE	Date 1/11/2024	Approved by PAVEL	Date 3/11/2024	Quantity	Material
<b>MATSING</b> LENS TECHNOLOGY ENABLED						MS-MBC-2-L4-15
MS-MBC-2-L4-15 (in)					Revision 1.0	Sheet 3 / 3