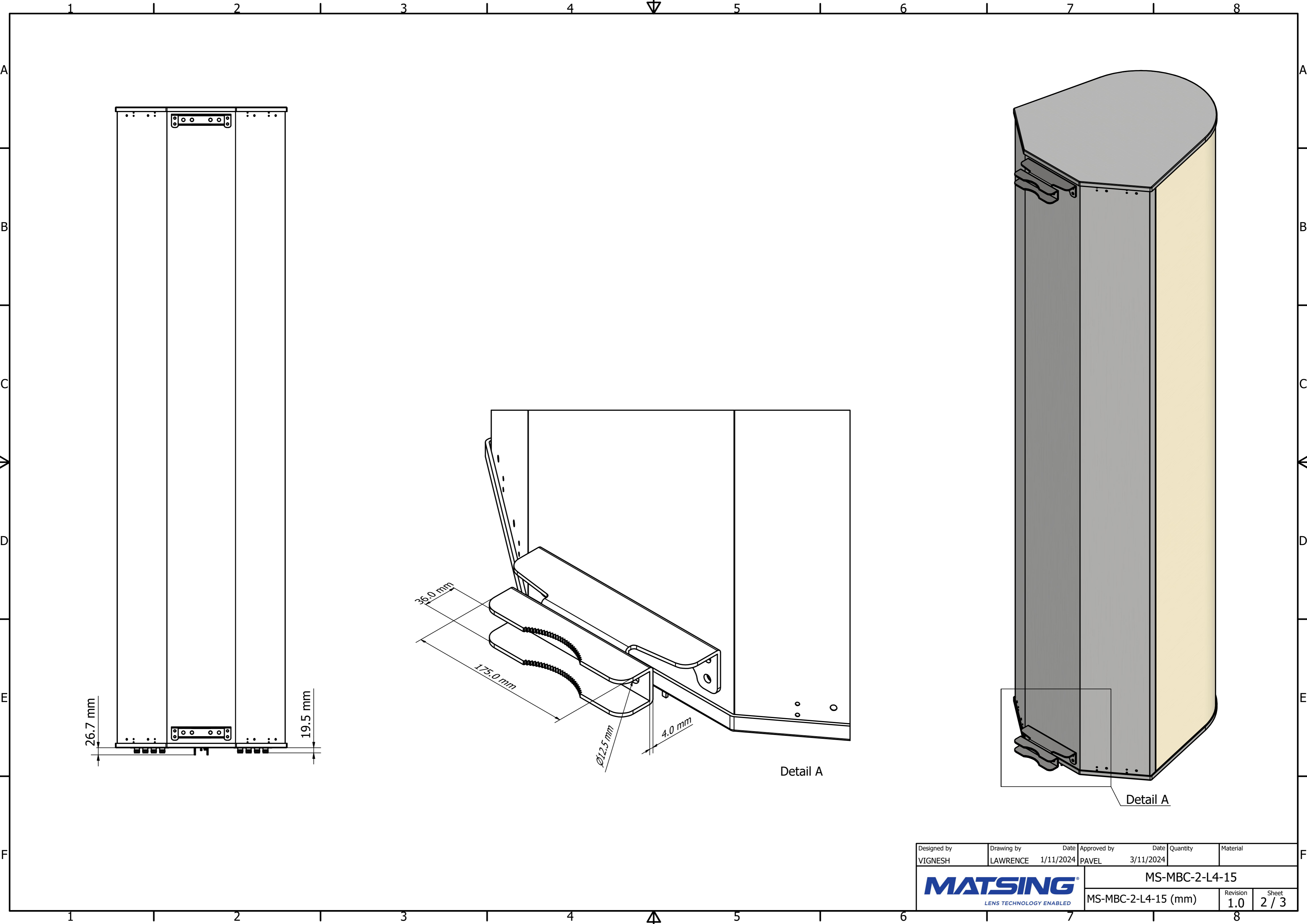

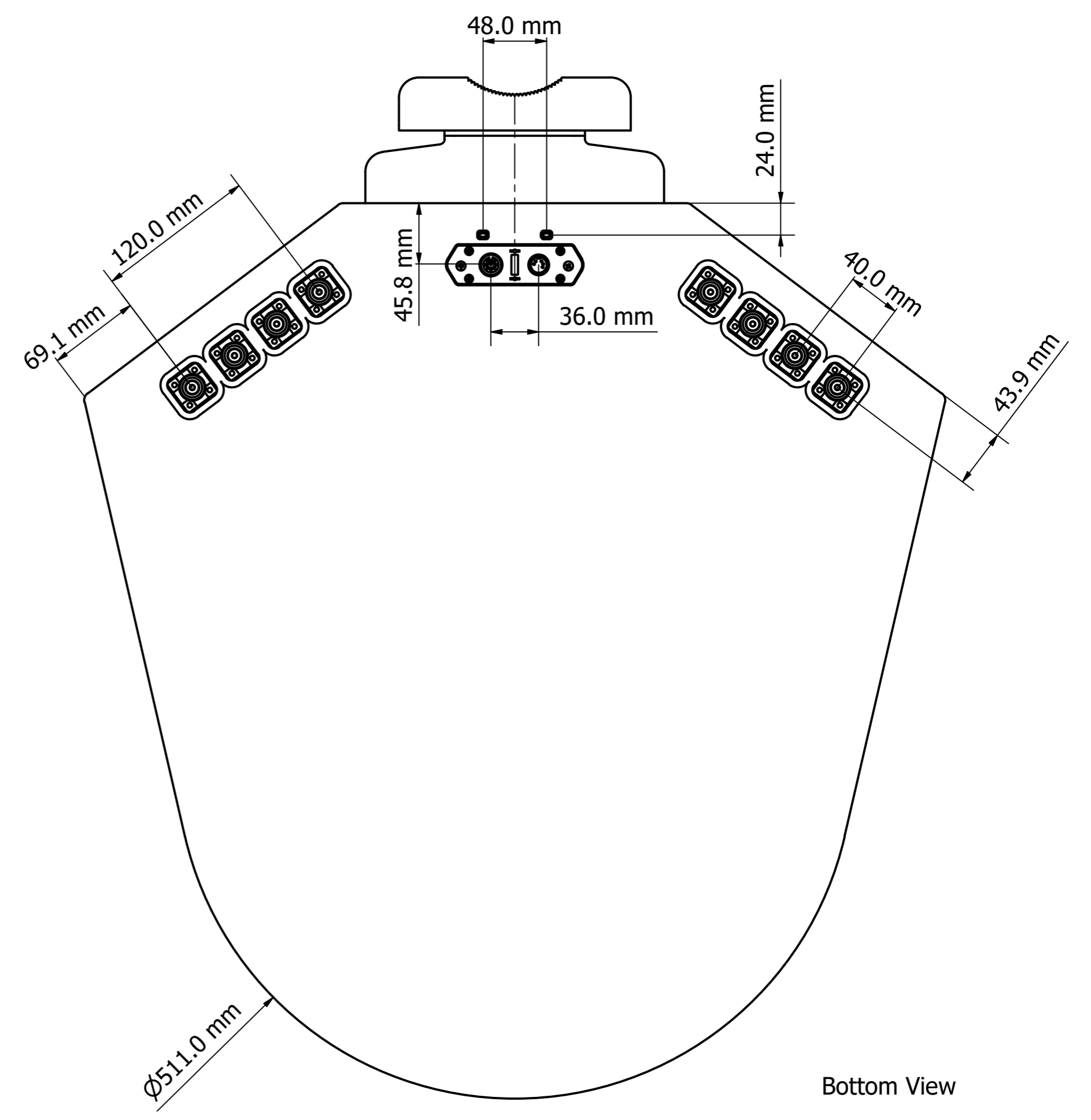
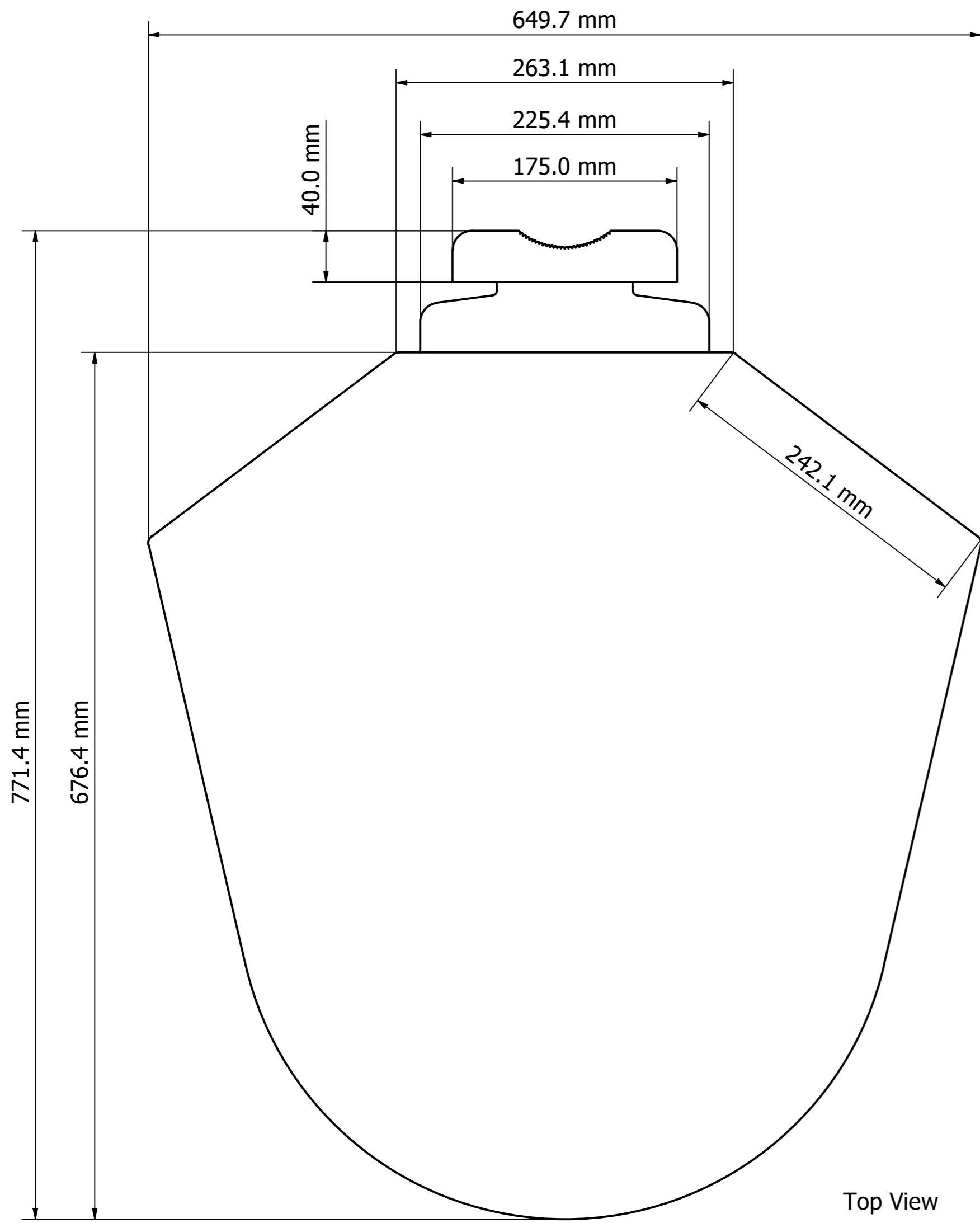


Designed by VIGNESH	Drawing by LAWRENCE	Date 1/11/2024	Approved by PAVEL	Date 3/11/2024	Quantity	Material
<b>MATSING</b> LENS TECHNOLOGY ENABLED						MS-MBC-2-L4-15
					Revision 1.0	Sheet 1 / 3



Designed by VIGNESH	Drawing by LAWRENCE	Date 1/11/2024	Approved by PAVEL	Date 3/11/2024	Quantity	Material
						MS-MBC-2-L4-15
						MS-MBC-2-L4-15 (mm)



Designed by VIGNESH	Drawing by LAWRENCE	Date 1/11/2024	Approved by PAVEL	Date 3/11/2024	Quantity	Material
						MS-MBC-2-L4-15
						MS-MBC-2-L4-15 (mm)