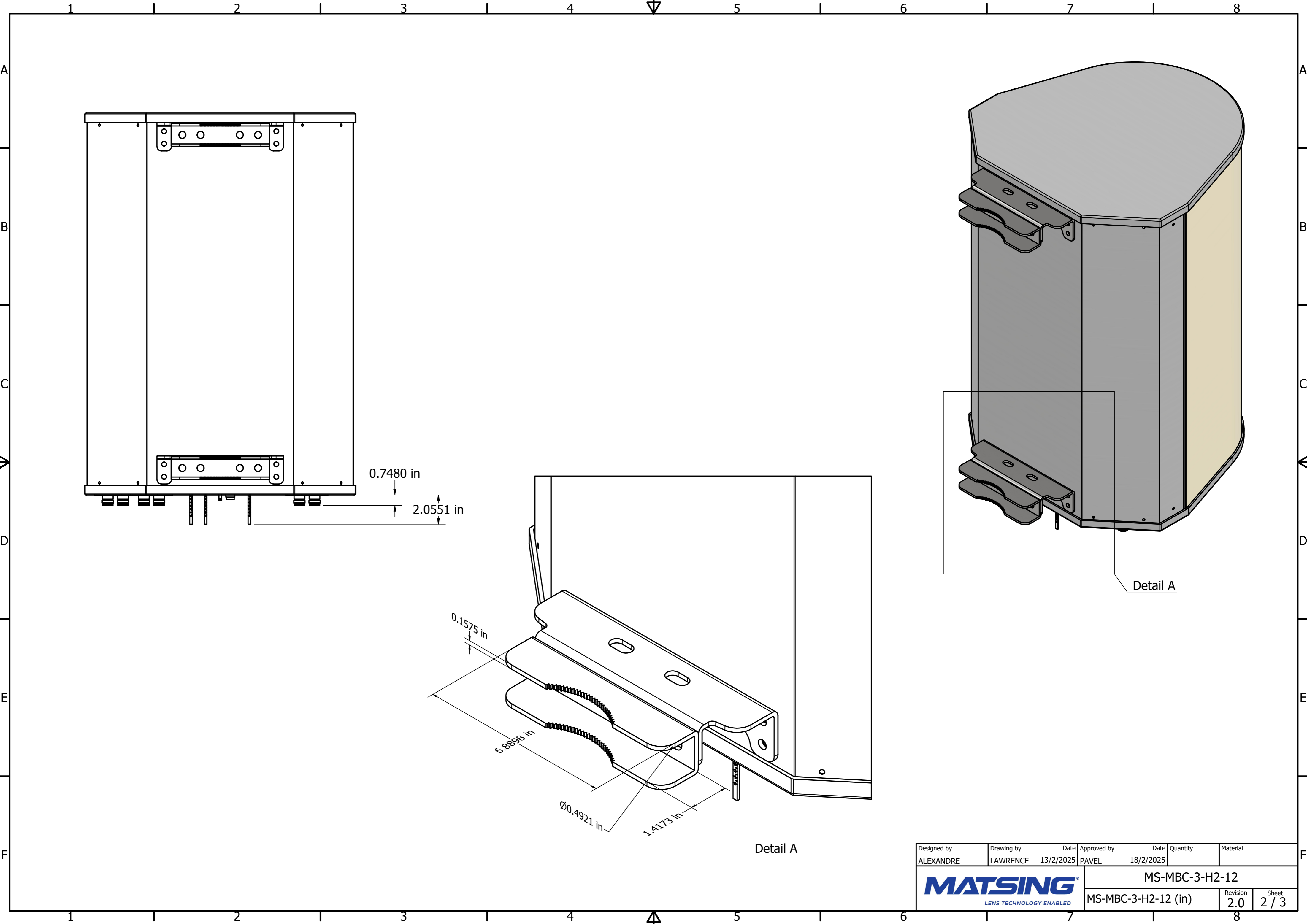
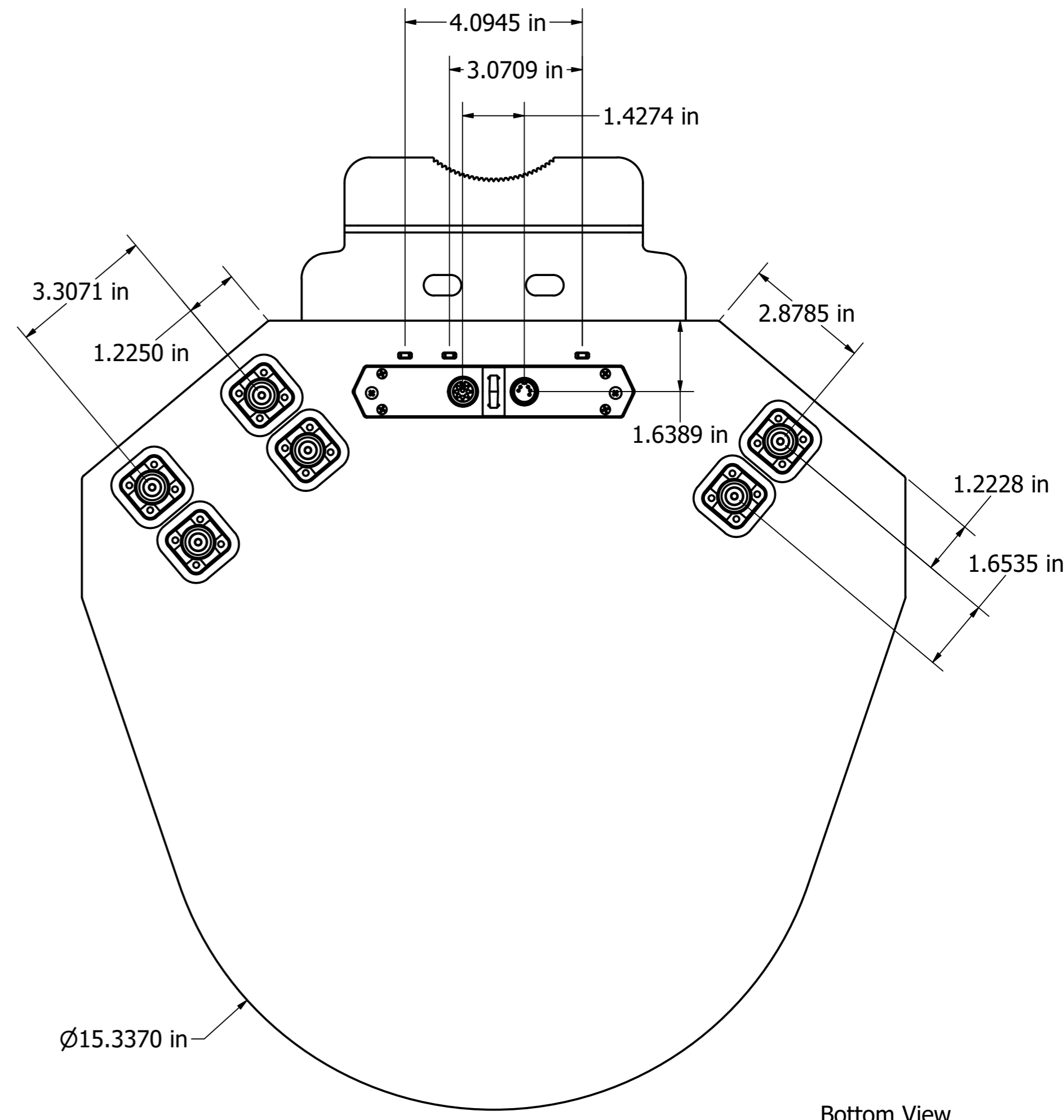
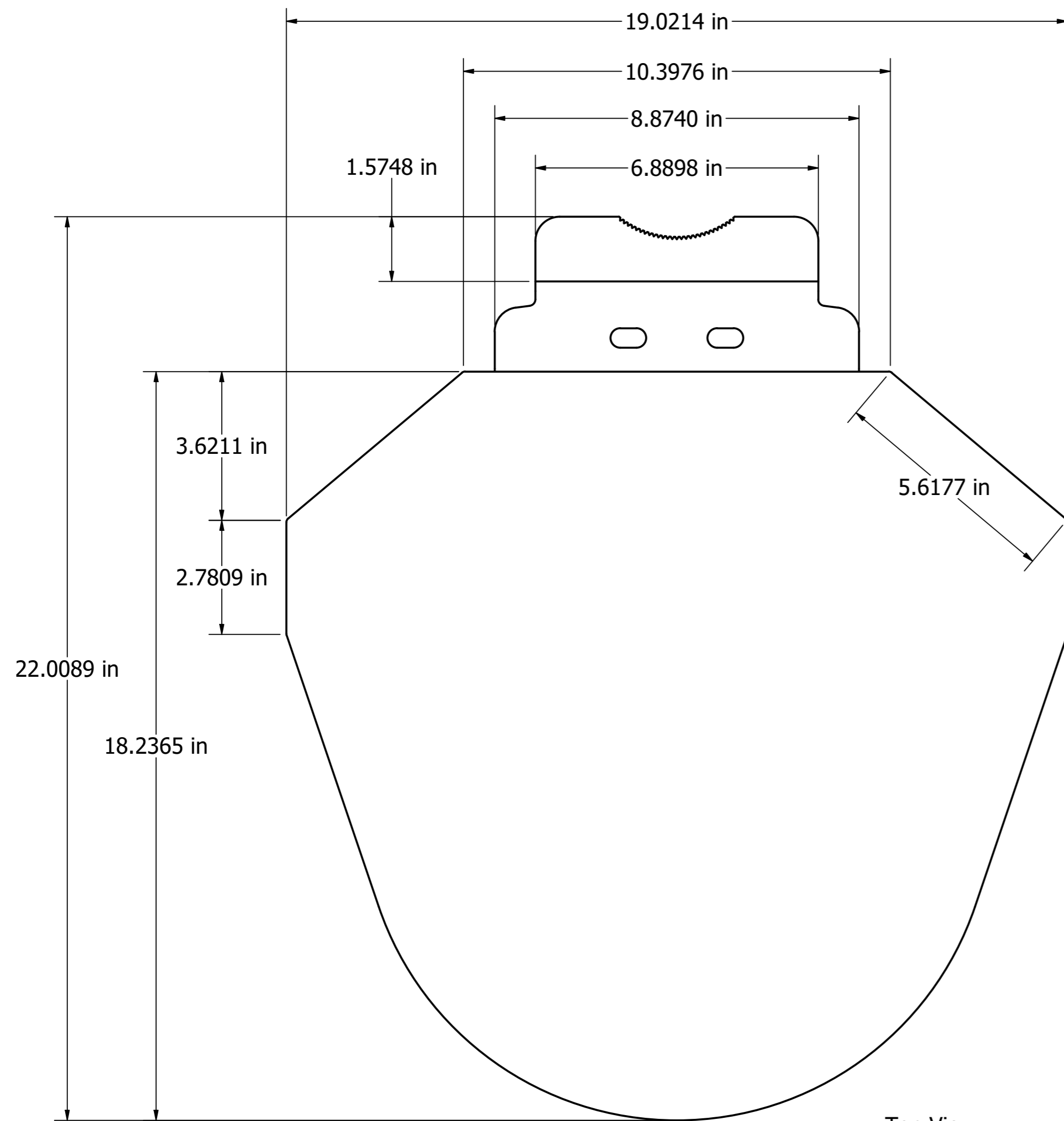


Designed by ALEXANDRE	Drawing by LAWRENCE	Date 13/2/2025	Approved by PAVEL	Date 18/2/2025	Quantity	Material
MATSING LENS TECHNOLOGY ENABLED						MS-MBC-3-H2-12
MS-MBC-3-H2-12 (in)					Revision 2.0	Sheet 1 / 3



Designed by ALEXANDRE	Drawing by LAWRENCE	Date 13/2/2025	Approved by PAVEL	Date 18/2/2025	Quantity	Material
MATSING LENS TECHNOLOGY ENABLED						MS-MBC-3-H2-12
MS-MBC-3-H2-12 (in)					Revision 2.0	Sheet 2 / 3



Designed by ALEXANDRE	Drawing by LAWRENCE	Date 13/2/2025	Approved by PAVEL	Date 18/2/2025	Quantity	Material
						MS-MBC-3-H2-12
						MS-MBC-3-H2-12 (in)