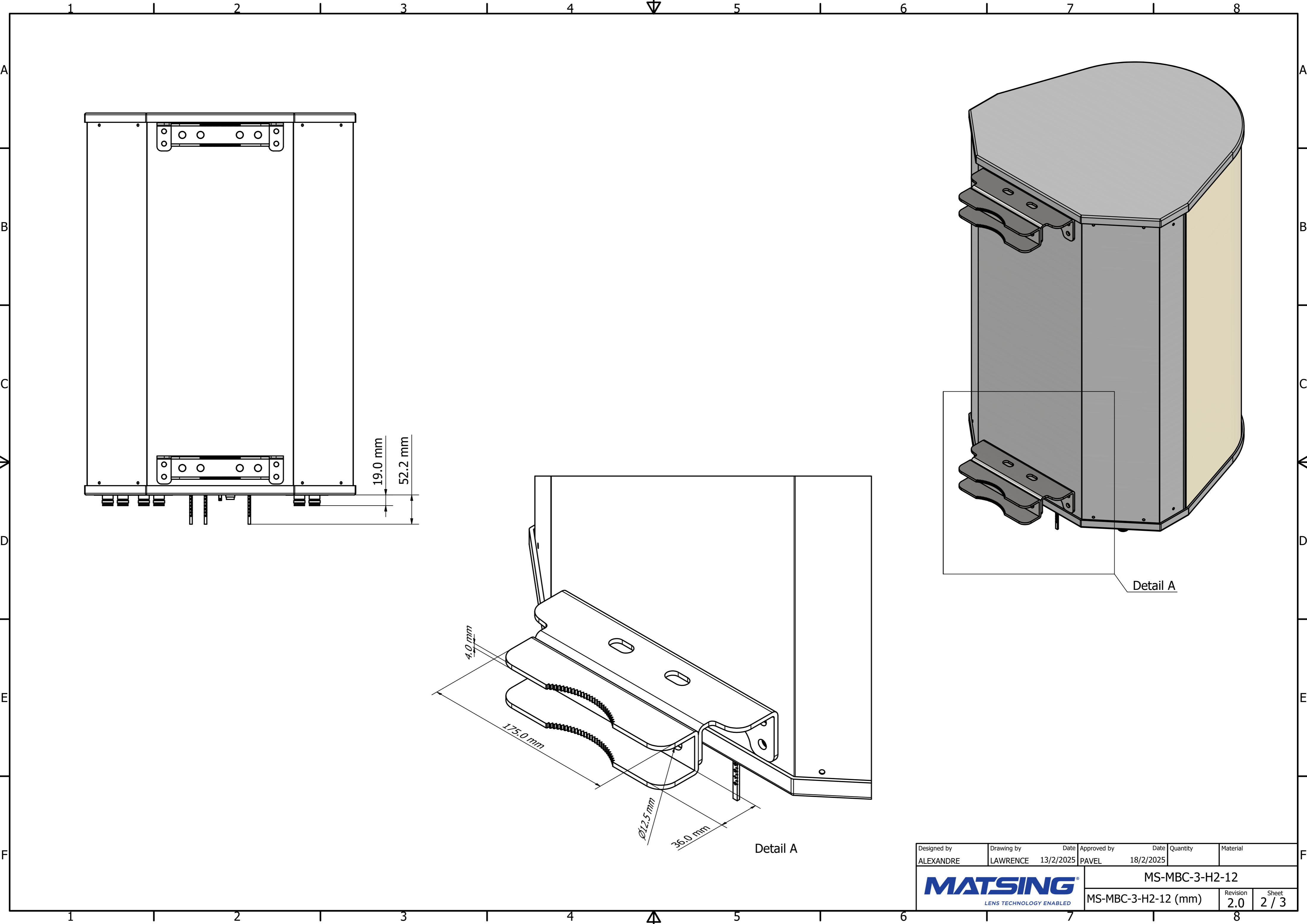


Designed by	Drawing by	Date	Approved by	Date	Quantity	Material
ALEXANDRE	LAWRENCE	13/2/2025	PAVEL	18/2/2025		
<b>MATSING</b> LENS TECHNOLOGY ENABLED						MS-MBC-3-H2-12
						MS-MBC-3-H2-12 (mm)
					Revision	Sheet
					2.0	1 / 3



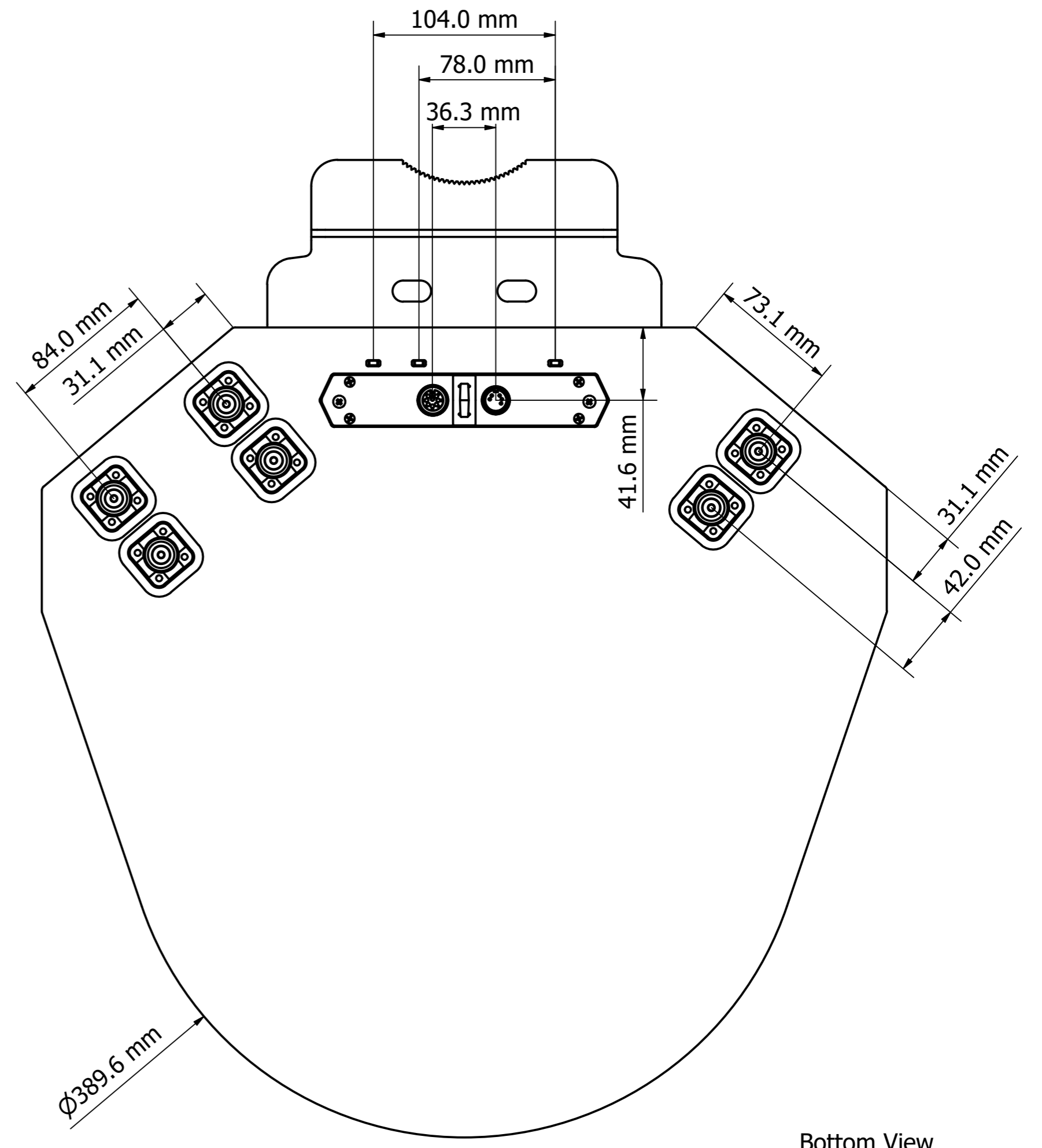
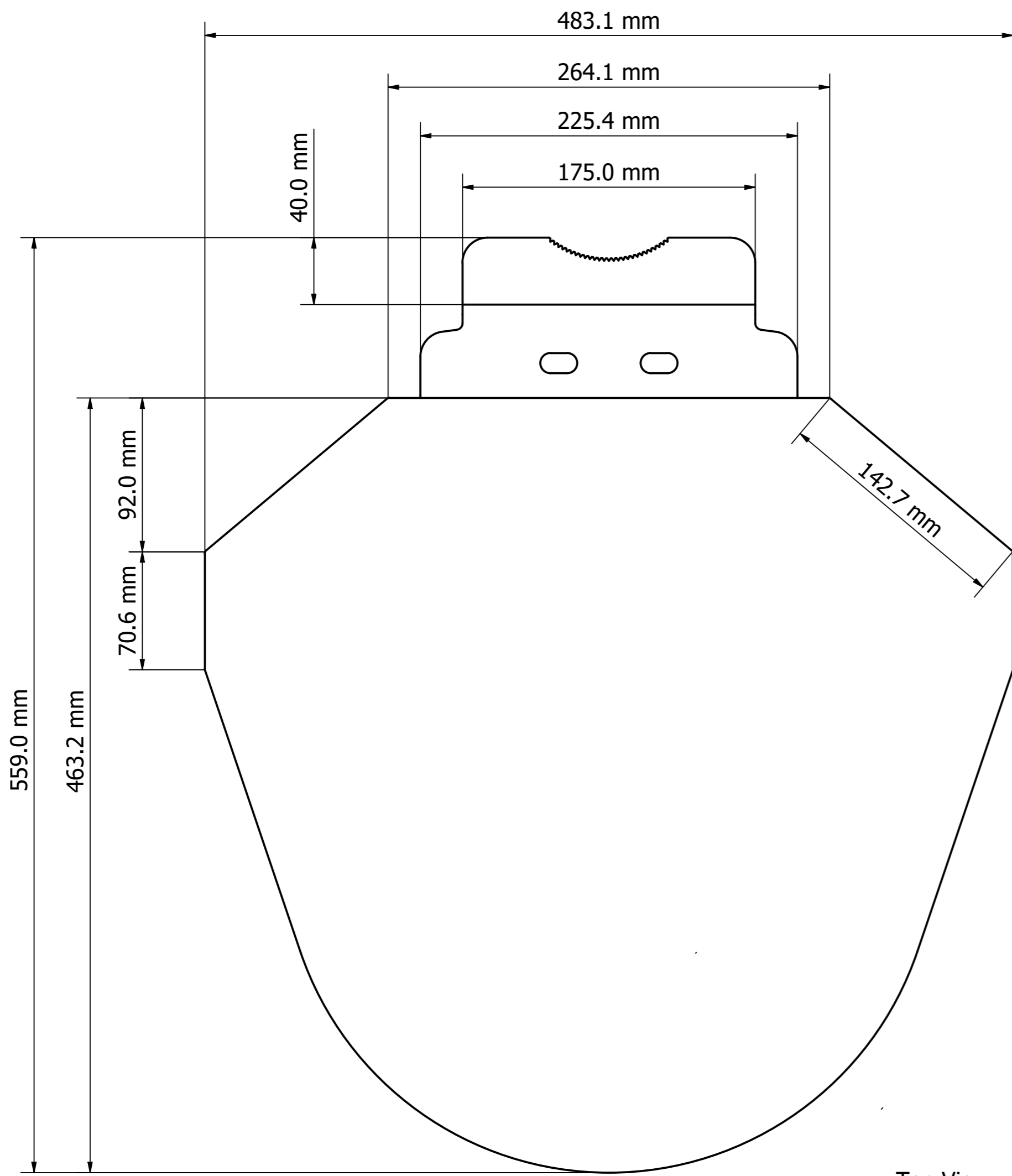
19.0 mm  
52.2 mm


4.0 mm  
175.0 mm  
Ø12.5 mm  
36.0 mm

Detail A

Detail A

Designed by ALEXANDRE	Drawing by LAWRENCE	Date 13/2/2025	Approved by PAVEL	Date 18/2/2025	Quantity	Material
<b>MATSING</b> LENS TECHNOLOGY ENABLED						MS-MBC-3-H2-12
MS-MBC-3-H2-12 (mm)					Revision 2.0	Sheet 2 / 3



Designed by ALEXANDRE	Drawing by LAWRENCE	Date 13/2/2025	Approved by PAVEL	Date 18/2/2025	Quantity	Material
						MS-MBC-3-H2-12
						MS-MBC-3-H2-12 (mm)