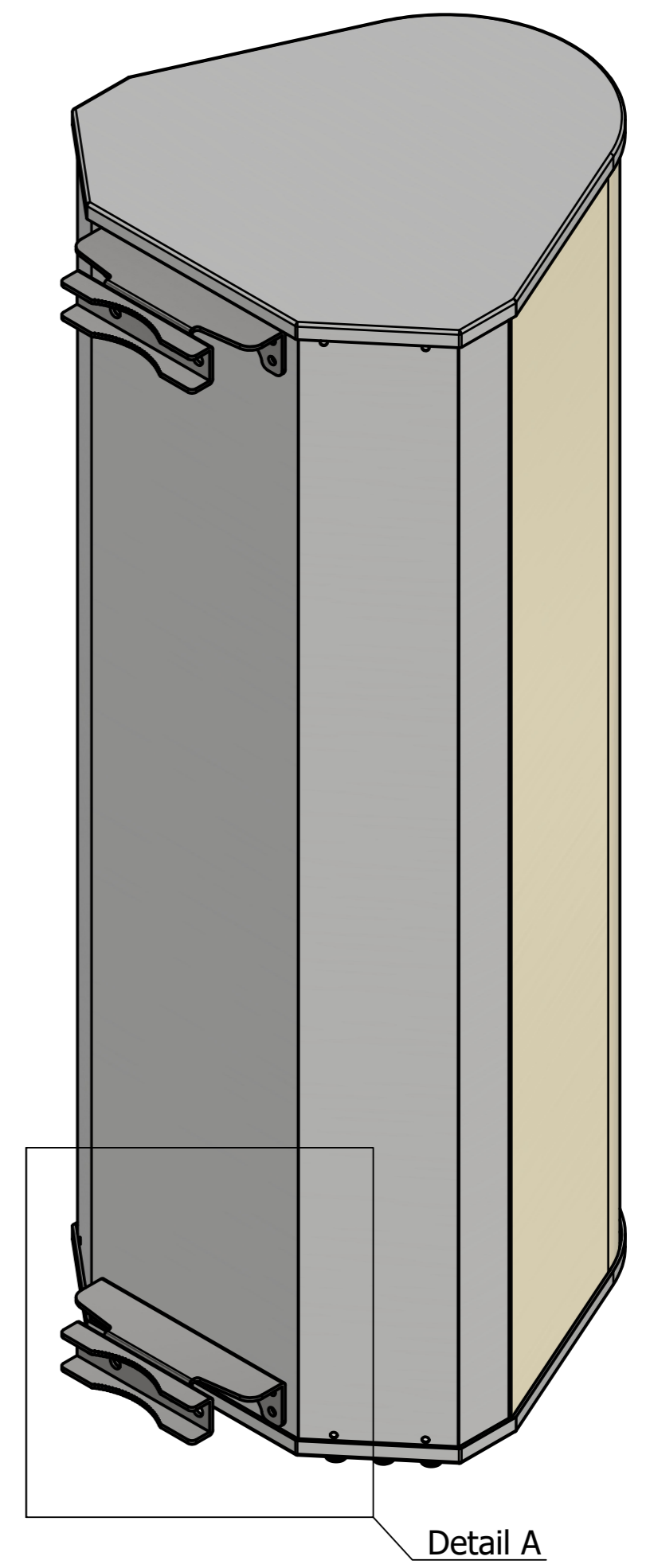
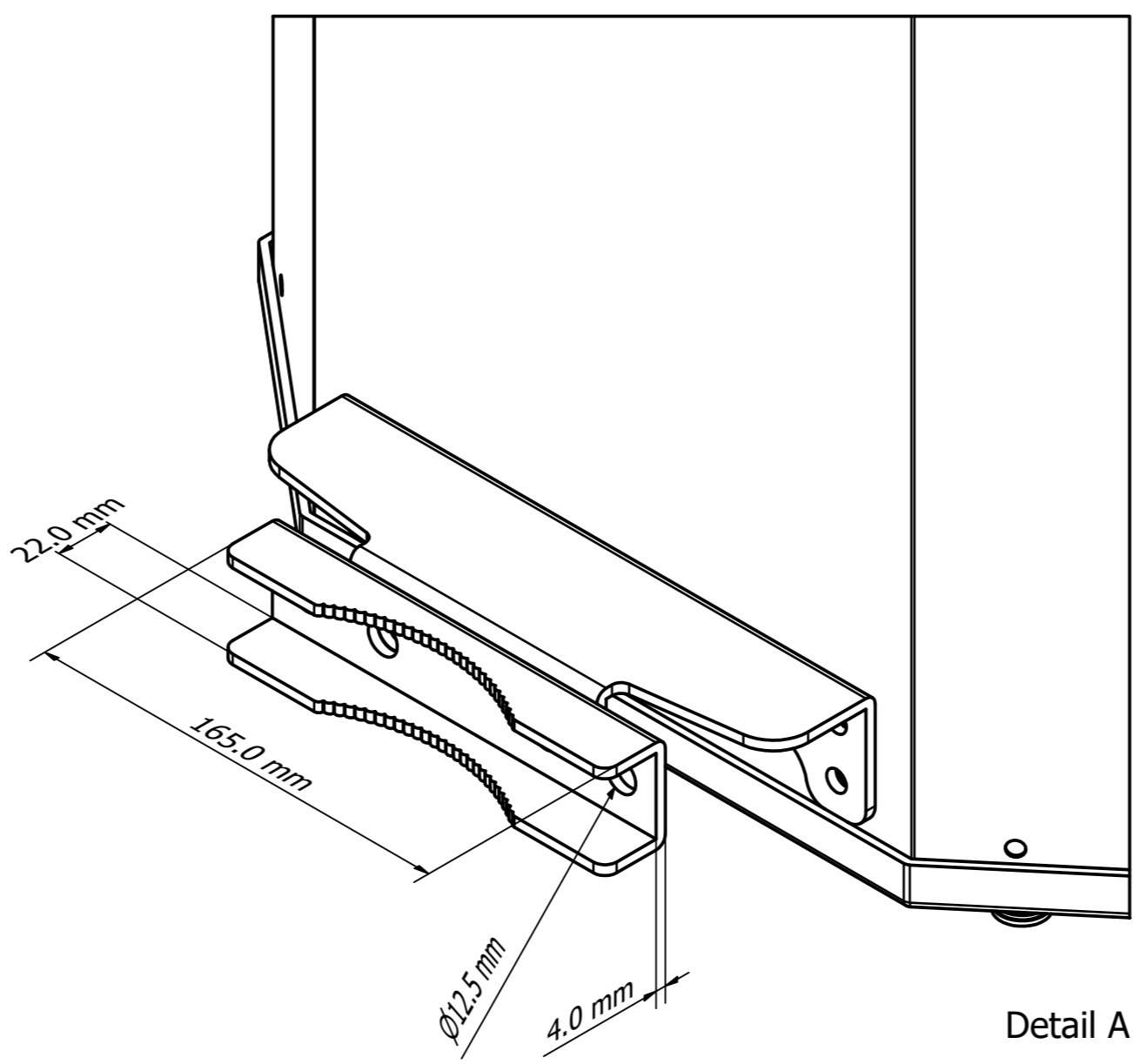
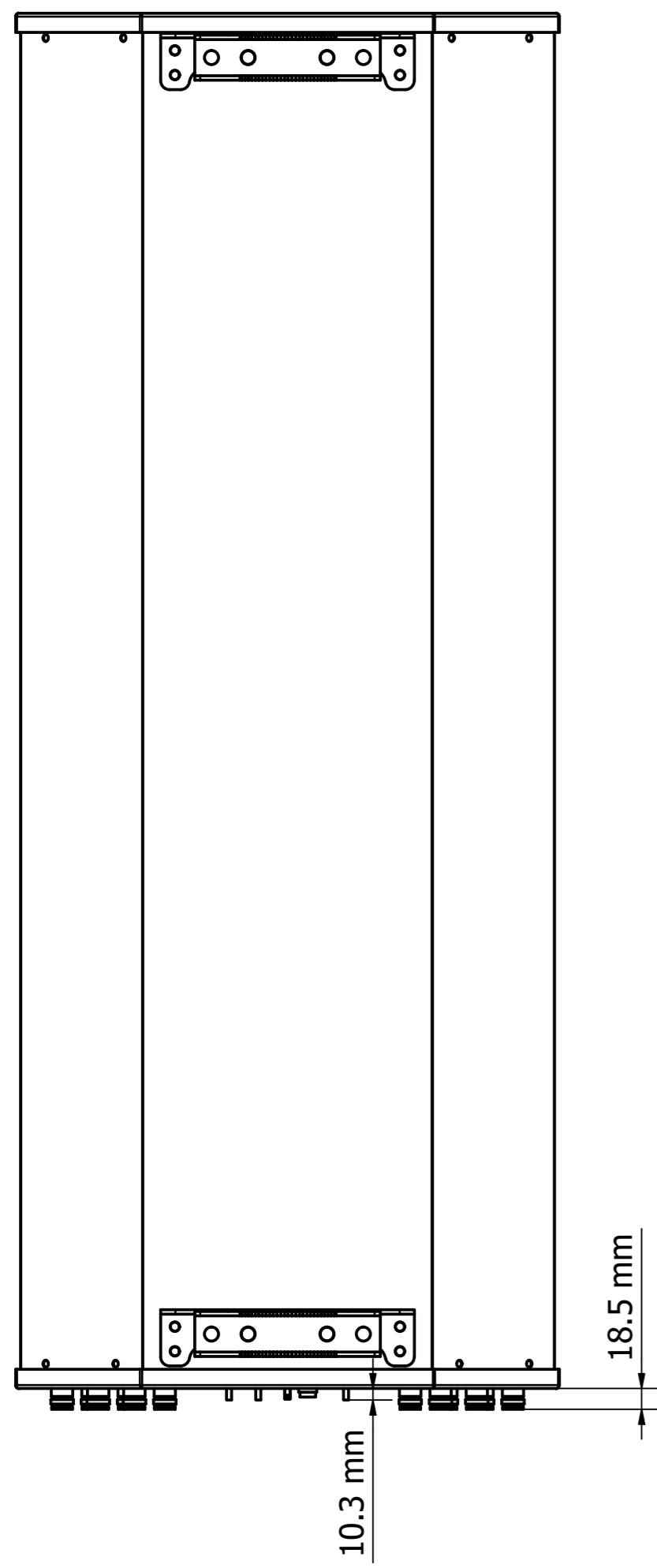

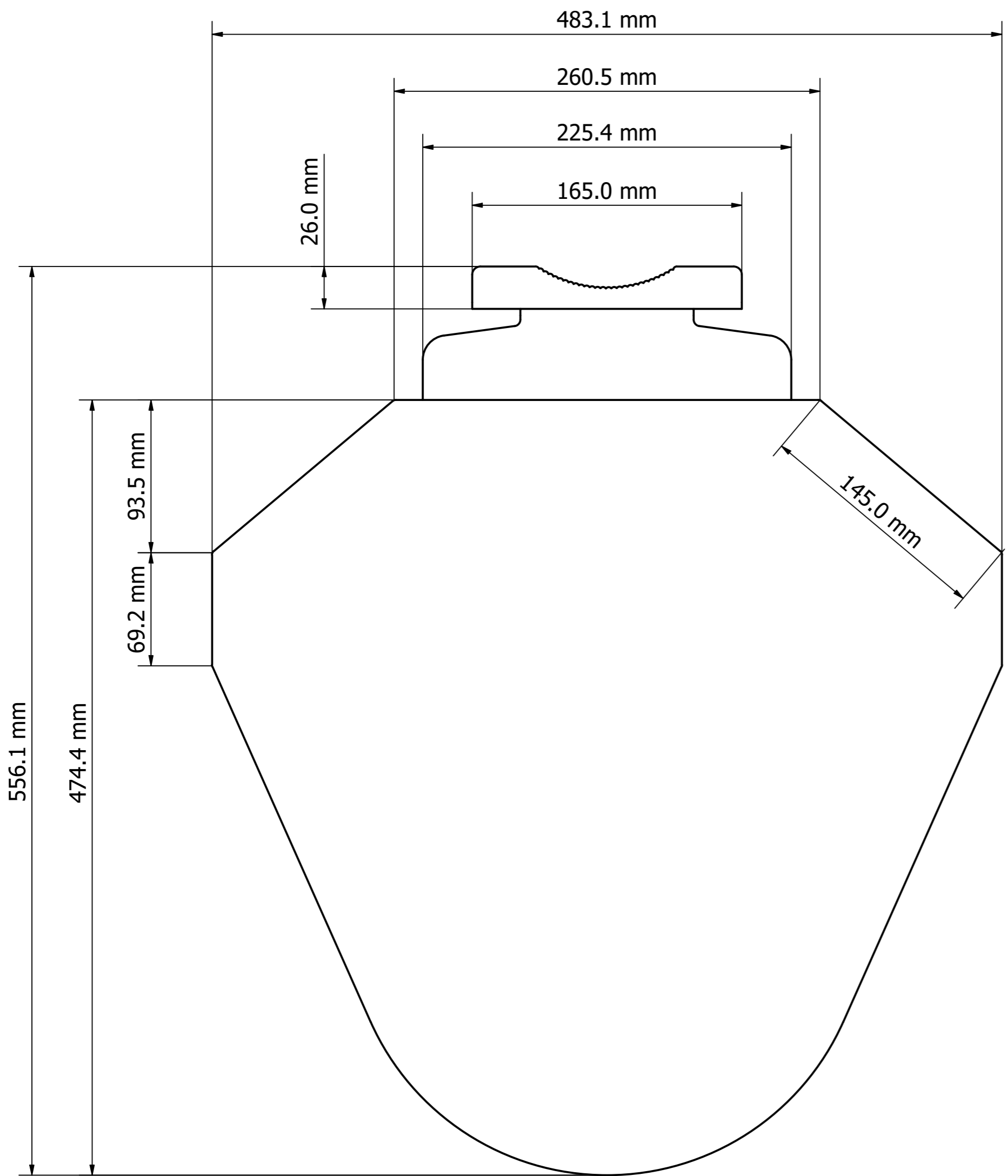


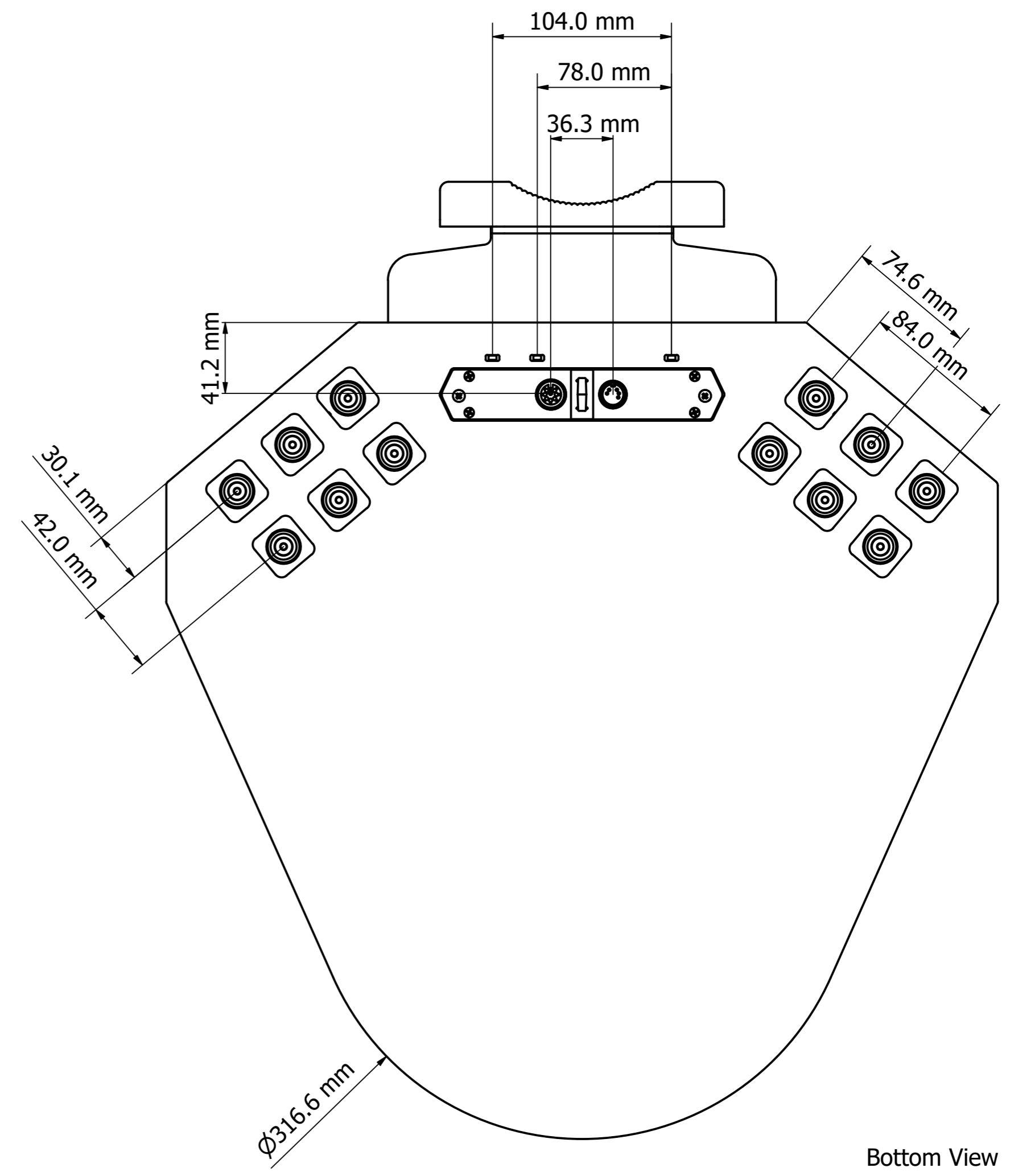
Designed by	Drawing by	Date	Approved by	Date	Quantity	Material
ALEXANDRE	LAWRENCE	19/6/2024	PAVEL	19/6/2024		
MATSING LENS TECHNOLOGY ENABLED						MS-MBC-3-H4-12
						MS-MBC-3-H4-12 (mm)
					Revision	Sheet
					1.0	1 / 3



Designed by ALEXANDRE	Drawing by LAWRENCE	Date 19/6/2024	Approved by PAVEL	Date 19/6/2024	Quantity	Material
						MS-MBC-3-H4-12
						MS-MBC-3-H4-12 (mm)



Top View



Bottom View

Designed by ALEXANDRE	Drawing by LAWRENCE	Date 19/6/2024	Approved by PAVEL	Date 19/6/2024	Quantity	Material
						MS-MBC-3-H4-12
						MS-MBC-3-H4-12 (mm)